

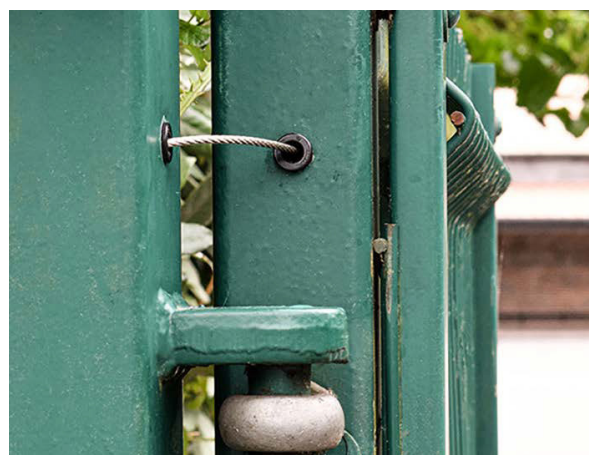
- A simple but essential safety device to prevent the gate falling over should the top hinge fail
- Tough design, with stainless steel wire rope and robust crimped end ferrules
- Easy to fit - simply drill a 13mm hole in the gate and the post
- Tested on gates up to 260kg and 500kg



## PRODUCT DETAILS

Product code:	Description:
<b>0515H007</b>	<b>Gate restrainer for gates up to 260kg</b>
<b>0515H008</b>	<b>Gate restrainer for gates up to 500kg</b>

Materials: Stainless steel + ABS plastic.  
Plastic cover bushes included.

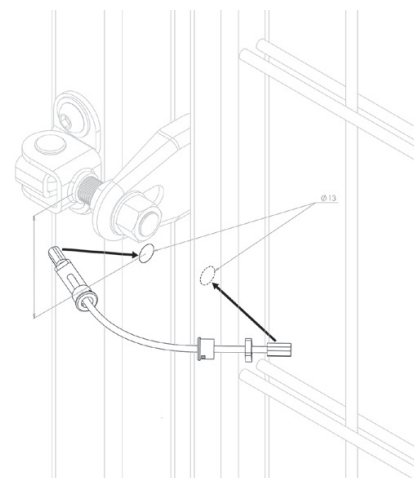


## INSTALLATION\*

1. Drill a 13mm hole into the gate and the post, 30 - 50mm above or below the top hinge.
2. Slot the 2 end stops into the holes and push on the plastic bushes. These protect the gate from scratches and allow the wire to slide in and out easily.

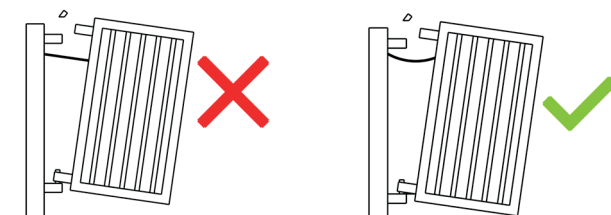
**\*Important note - strict installation and usage conditions apply. Some gate configurations will not be made safe using this device, refer to conditions of use below.**

30-50mm above or below top hinge is recommended



## CONDITIONS OF USE

1. Check condition of restrainer every 6 months and replace if damaged.
2. The device is designed to prevent the gate falling sideways rather than taking its full weight. If the restraining device becomes taut before the bottom of the gate rests on the ground, this device is not suitable for your gate.



Whilst every effort has been made to ensure the accuracy of the information supplied, F.H. Brundle cannot be held responsible for any errors or omissions. This product must only be employed for its original intended use. Any other use is wrong and potentially dangerous. Installation must be carried out in full compliance with current regulations. F.H. Brundle cannot be held liable for any damages resulting from wrongful, erroneous or negligent use.