



# TUBE CLAMPS



## Tube Clamps Application Guide

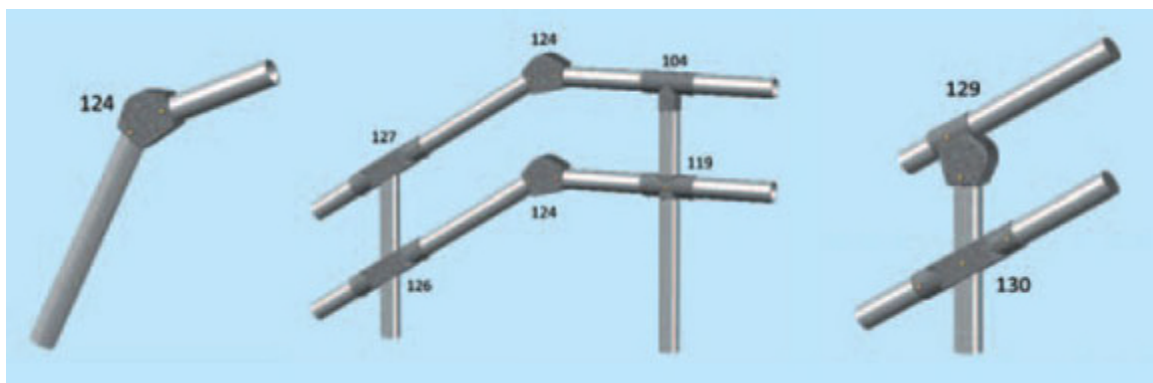


Wall and base flange with through top

Enables Tubes to be joined

Start and End Section

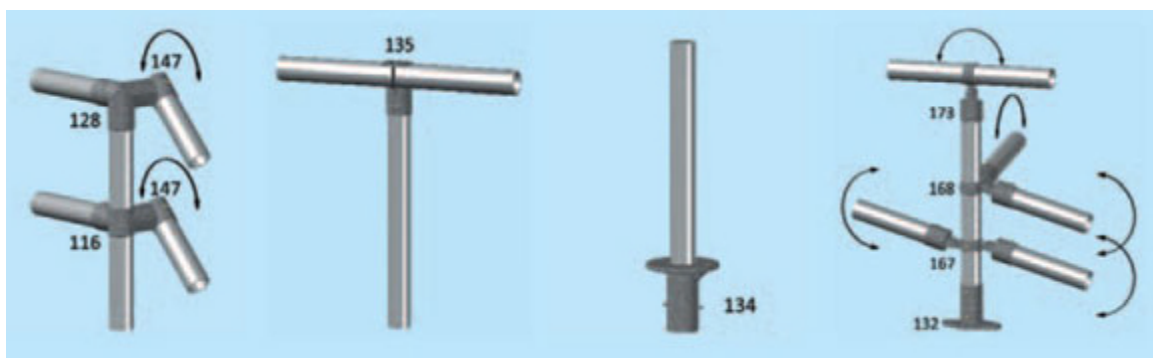
90 degree corner



Adjustable 15 to 60 degrees

**124** - 15 to 60 degrees from horizontal

**129** - Adjustable 30 to 60 degrees  
**130** - Adjustable 30 to 45 degrees

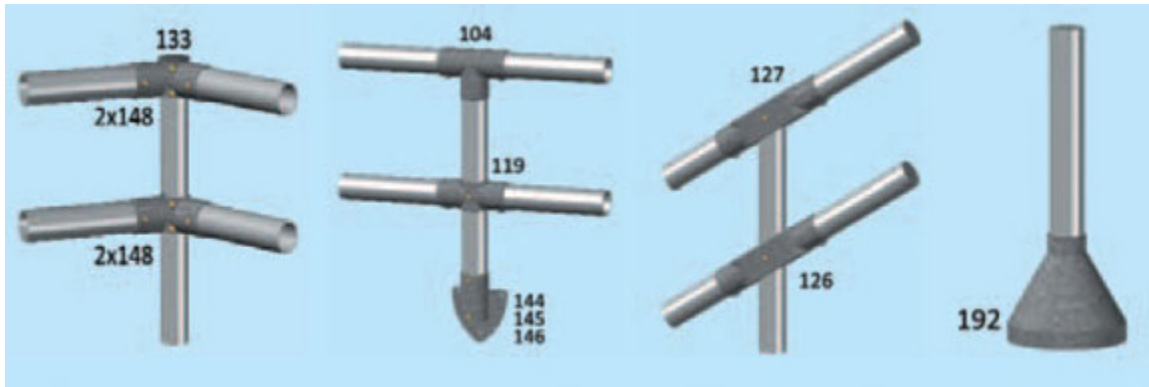


From Slope to Level Rail using **147**

Allows fixing to existing rail

Ground Socket for Removable Tubes

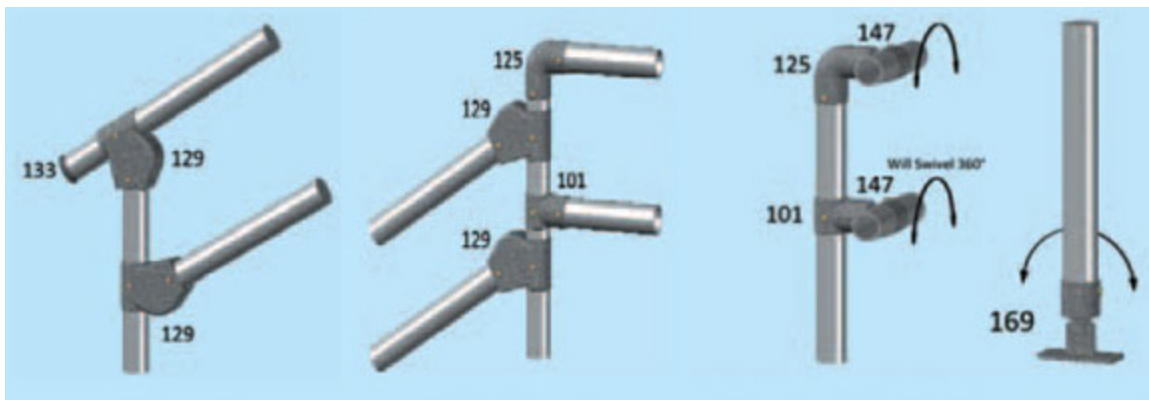
Riveted Swivel



Adjustable Horizontals - Wall Face Fixing 90 to 180 degrees

Supplied for Slope up to 45 degrees - state angle required

Covers base 132 and then Sealant allows it to be waterproof



Start End - 30 to 60 degrees

Slope 30 to 60 degrees to level rail

The **147** neck fits into other fittings and allows any angle of rail

Swivel Base