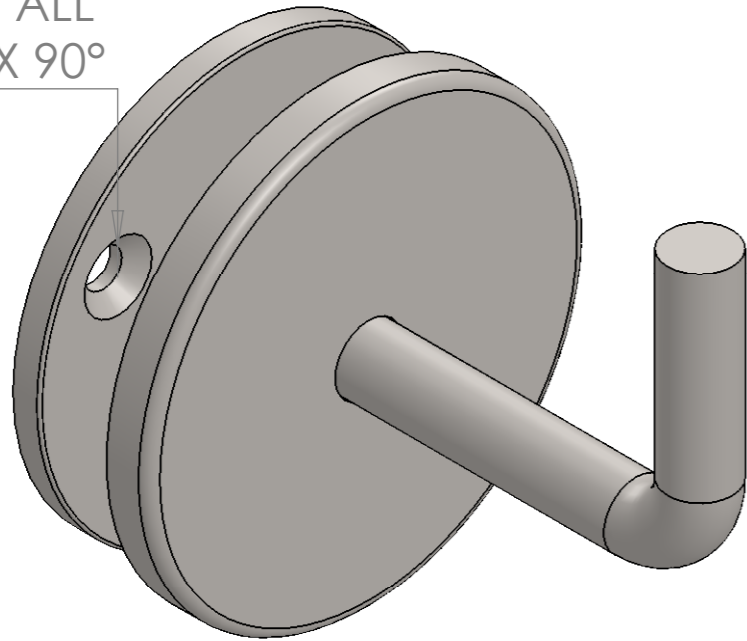


3 x ϕ 7 THRU ALL
 ✓ ϕ 12.60 X 90°



FH BRUNDLE
 Tel: 01708 253545
 Email: sales@brundle.com
 Web: www.fhbrundle.co.uk

NOTES:
 Customer Information Drawing

DESCRIPTION:
 Mild Steel 90mm Handrail Bracket With
 Cover Plate

PART NO:
 171167

DWG NO:
 N/A

A3



UNLESS OTHERWISE SPECIFIED
 ALL DIMENSIONS ARE IN MILLIMETERS

MATERIAL:
 Mild Steel

FINISH:
 Self Colour

GRIT SIZE:
 N/A

WEIGHT: 0.34 Kg

	NAME	DATE	REVISION
DRAWN	EF	06/06/2014	A
CHECKED	LT	29/03/2017	

SCALE:1:1 DO NOT SCALE DRAWING SHEET 1 OF 1