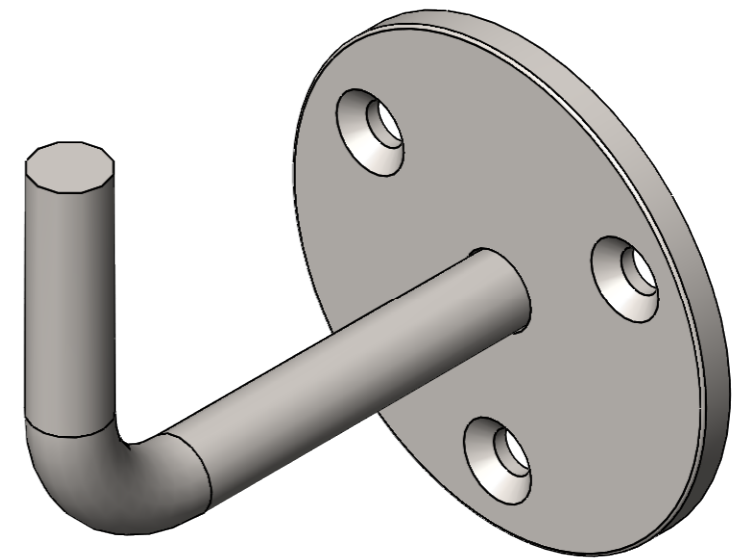
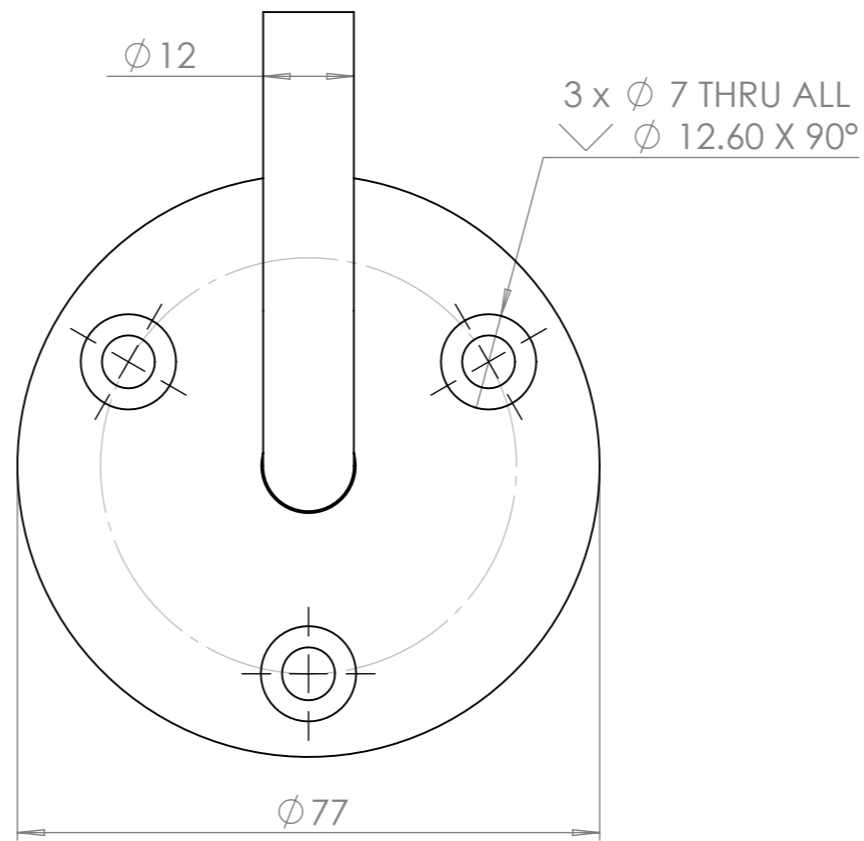
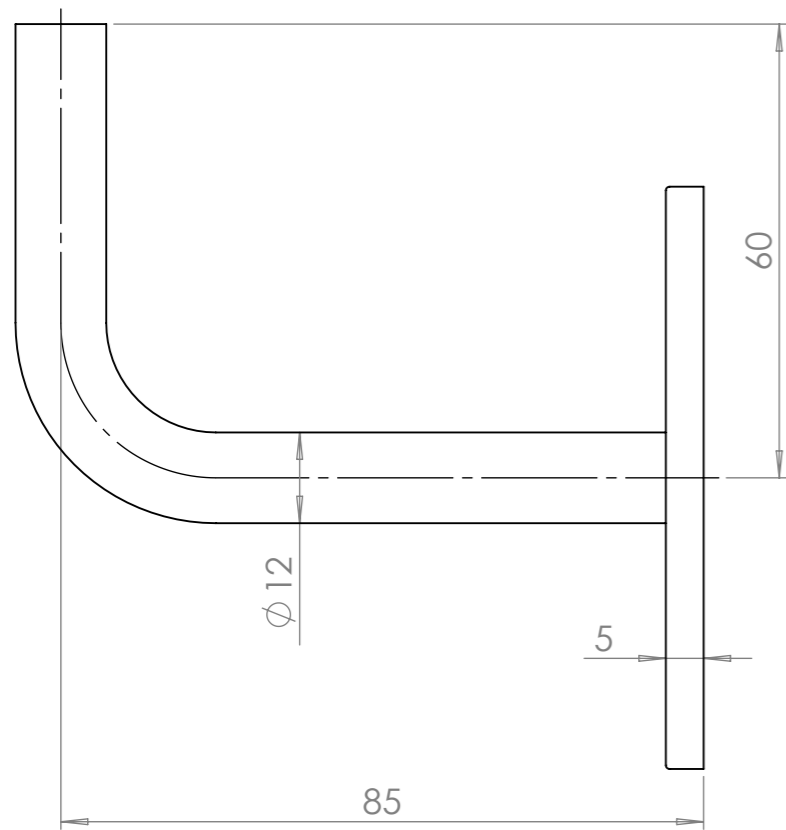


NB: Part K Compliant



**FH BRUNDLE**  
 Tel: 01708 253545  
 Email: sales@brundle.com  
 Web: www.fhbrundle.co.uk

NOTES:  
 Customer Information Drawing

DESCRIPTION:  
 Mild Steel Bracket 85 x 60mm,  $\phi 77$ mm Back Plate, No Saddle



MATERIAL:  
 Mild Steel

PART NO:  
 171182K

FINISH:  
 Self Colour

DWG NO:  
 N/A

	NAME	DATE	REVISION
DRAWN	LT	05/07/2017	A
CHECKED			

GRIT SIZE:  
 N/A  
 WEIGHT: 0.29 Kg

SCALE: 1:1    DO NOT SCALE DRAWING    SHEET 1 OF 1

A3