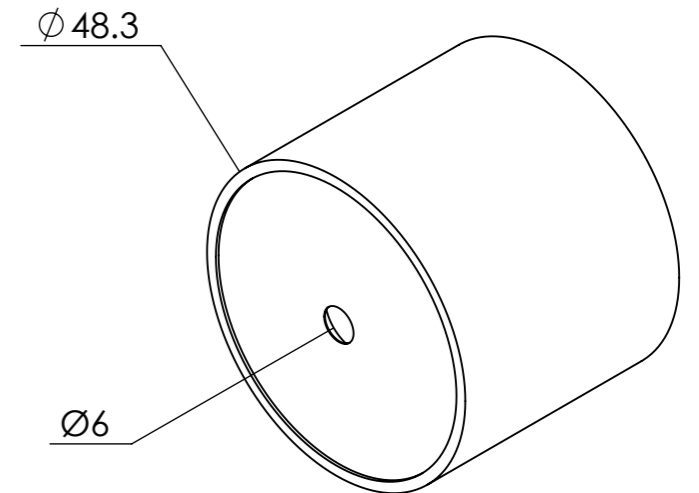


SECTION A-A



PART CODE	MATERIAL	FINISH
1807231D	AISI 304	Satin Polished
1807234D	AISI 316	Satin Polished

DESCRIPTION: Adaptor For Wooden Railing 48.3mm Diameter

	NAME	DATE	REVISION	UNLESS OTHERWISE SPECIFIED ALL DIMENSIONS ARE IN MILLIMETERS	A3
DRAWN	CH	17/07/2018	B		
CHECKED				DO NOT SCALE DRAWING	SCALE:1:1