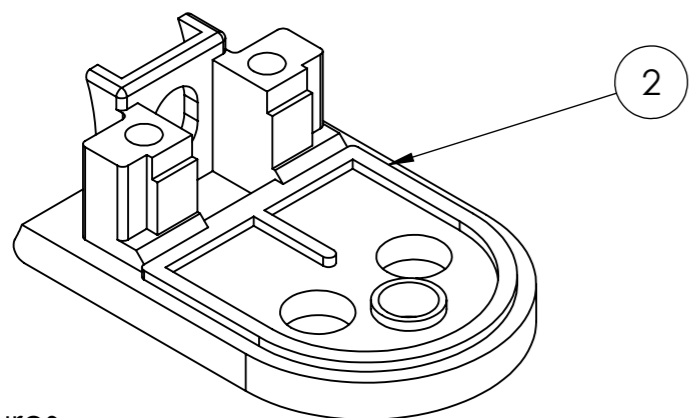
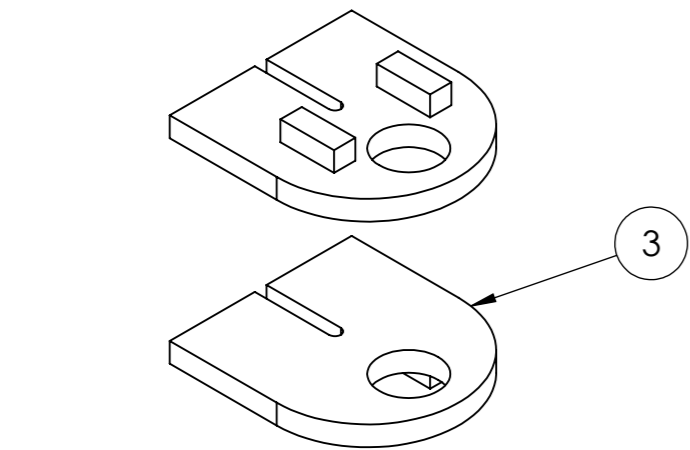
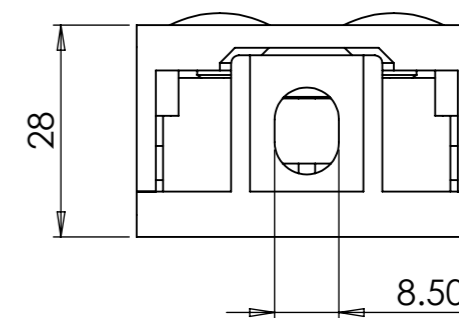
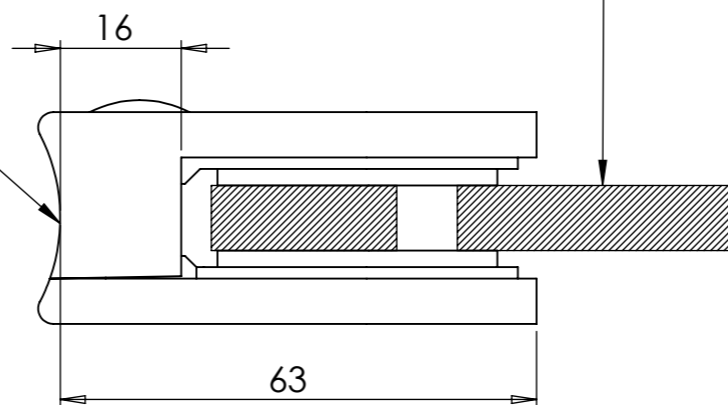


R24.15 To Suit
48.3mm Tube

To Suit 8, 10, & 12mm Glass



Glass Clamps supplied with 10mm rubbers.

NB: For 8mm glass please order 8mm rubbers - Code: 189900108

NB: For 12mm glass please order 12mm rubbers - Code: 189900112

Please note: If using glass clamps in any installation where the glass is fixed to the outside of a staircase and overhanging, then security pins 189900401 and drilled glass must be used. Alternatively, use our square glass clamps which come with a bottom location plate.

Features
Stainless 304
Diameter 48.3mm
Curved back
To suit 8-12mm glass

ITEM NO.	PART NAME	QTY.
1	1804401D_Part2	1
2	1804401D_Part1	1
3	189900110_'D' Rubber 10mm (EPDM 60 Durometer)	2
4	189900501_Gray Standard Cap (ABS)	2
5	ISO 10642 - M6 x 16 --- 16S	2



Pro-Railing

Tel: 0121 565 8282
Email: prorailing@brundle.com
Web: www.prorailing.co.uk



MATERIAL: 304 Stainless Steel

UNLESS OTHERWISE SPECIFIED
ALL DIMENSIONS ARE IN MILLIMETERS

FINISH: Stainless Steel

	NAME	DATE	REVISION
DRAWN	GC	28/04/2015	G
REV. BY			

GRIT SIZE: 320

WEIGHT: 0.29kg

NOTES: Customer Drawing

DESCRIPTION: Glass Clamp 48.3mm Round Back
To Suit 8, 10 & 12mm Glass

PART NO: 1804401D

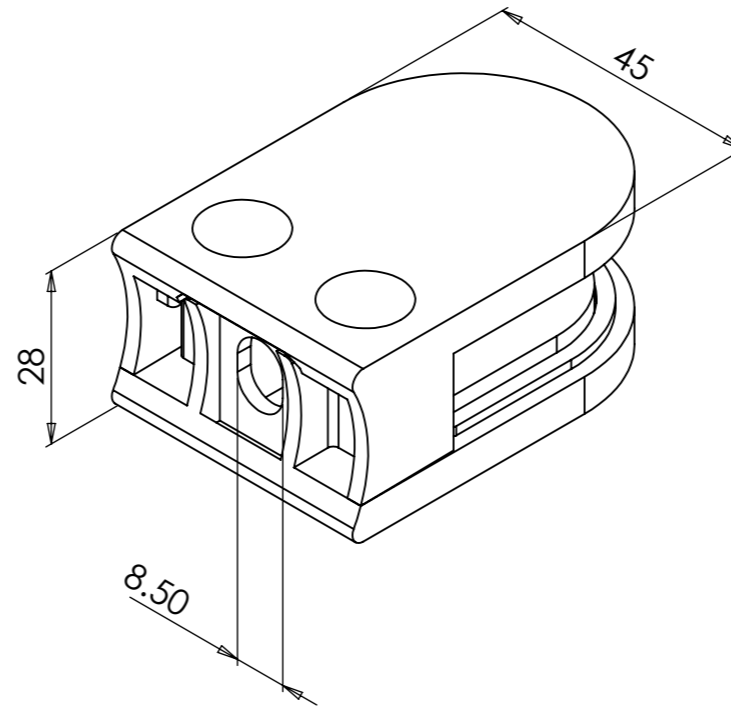
DWG NO: NA

A3

SCALE:2:1

DO NOT SCALE DRAWING

SHEET 1 OF 2



Pro-Railing
 Tel: 0121 565 8282
 Email: prorailing@brundle.com
 Web: www.prorailing.co.uk

NOTES: Isometric View

DESCRIPTION: Glass Clamp 48.3mm Round Back To Suit 8, 10 & 12mm Glass



MATERIAL: 304 Stainless Steel

PART NO: 1804401D

UNLESS OTHERWISE SPECIFIED
 ALL DIMENSIONS ARE IN MILLIMETERS

FINISH: Stainless Steel

DWG NO: NA

A3

	NAME	DATE	REVISION
DRAWN	GC	28/04/2015	G
REV. BY			

GRIT SIZE: 320

WEIGHT: 0.29 Kg

SCALE: 1:1 DO NOT SCALE DRAWING SHEET 2 OF 2