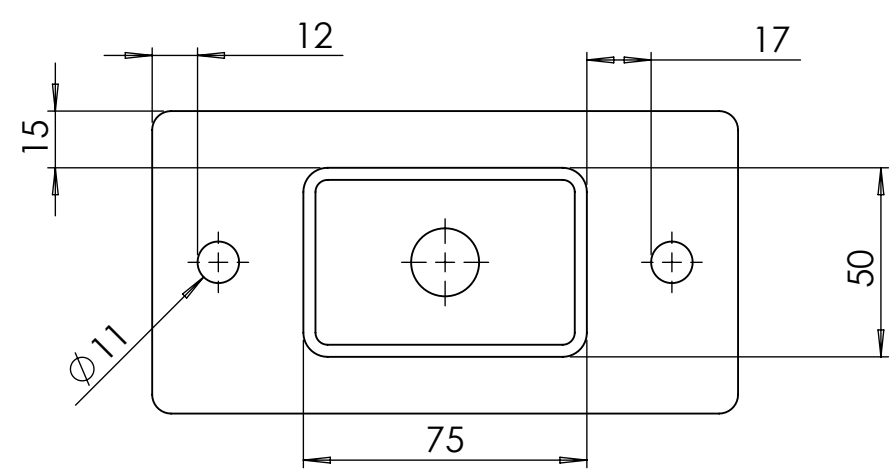

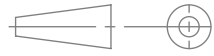


EXAMPLE OF BASE PLATE FIXTURE



FITTING DETAILS

- 1) PRE DRILLED FOR VENTING & DRAINAGE
- 2) MAXIMUM RECTANGULAR HOLLOW SECTION 75mm x 50mm
- 3) FOR USE WITH M10 BOLTS & WASHERS

	FH BRUNDLE Tel: 01708 253545 Email: sales@brundle.com Web: www.fhbrundle.co.uk			NOTES: Customer Information Drawing				
	UNLESS OTHERWISE SPECIFIED ALL DIMENSIONS ARE IN MILLIMETERS			DESCRIPTION: Rectangular Base Plate 155 x 80 x 8 With Ø11 Holes				
			MATERIAL: Plain Carbon Steel			PART NO: 2002155808		
FINISH: Self Colour			GRIT SIZE: N/A			DWG NO: 0008-002-005		
WEIGHT: 0.74 Kg			SCALE: 1:1			DO NOT SCALE DRAWING		
NAME GC	DATE 26/07/2016	REVISION A	SHEET 1 OF 1			A3		