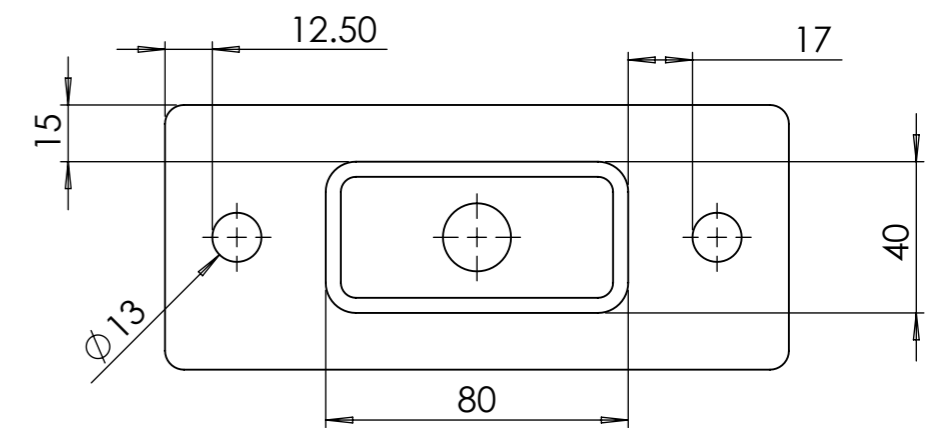


EXAMPLE OF BASE PLATE FIXTURE



FITTING DETAILS

- 1) PRE DRILLED FOR VENTING & DRAINAGE
- 2) MAXIMUM RECTANGULAR HOLLOW SECTION 80mm x 40mm
- 3) FOR USE WITH M12 BOLTS & WASHERS

|  | FH BRUNDLE Tel: 01708 253545 Email: sales@brundle.com Web: www.fhbrundle.co.uk | | | NOTES: Customer Information Drawing | | | | | | | | | | | | | |
|--|--|------------|-------------------------|---|--------------|----|------------|---|---------|--|--|--|--|--|--|--|--|
| | UNLESS OTHERWISE SPECIFIED ALL DIMENSIONS ARE IN MILLIMETERS | | | DESCRIPTION: Rectangular Base Plate 165 x 70 x 10 With Ø13 Holes | | | | | | | | | | | | | |
| MATERIAL: Plain Carbon Steel | | | PART NO: 20021657010 | | | | | | | | | | | | | | |
| FINISH: Self Colour | | | DWG NO: 0008-002-006 | | | | | | | | | | | | | | |
| GRIT SIZE: N/A | | | A3 | | | | | | | | | | | | | | |
| WEIGHT: 0.86 Kg | | | SCALE:1:1 | DO NOT SCALE DRAWING | SHEET 1 OF 1 | | | | | | | | | | | | |
| <table border="1"> <thead> <tr> <th>REV. BY</th> <th>NAME</th> <th>DATE</th> <th>REVISION</th> </tr> </thead> <tbody> <tr> <td>DRAWN</td> <td>GC</td> <td>26/07/2016</td> <td>A</td> </tr> <tr> <td>REV. BY</td> <td></td> <td></td> <td></td> </tr> </tbody> </table> | REV. BY | NAME | DATE | REVISION | DRAWN | GC | 26/07/2016 | A | REV. BY | | | | | | | | |
| REV. BY | NAME | DATE | REVISION | | | | | | | | | | | | | | |
| DRAWN | GC | 26/07/2016 | A | | | | | | | | | | | | | | |
| REV. BY | | | | | | | | | | | | | | | | | |