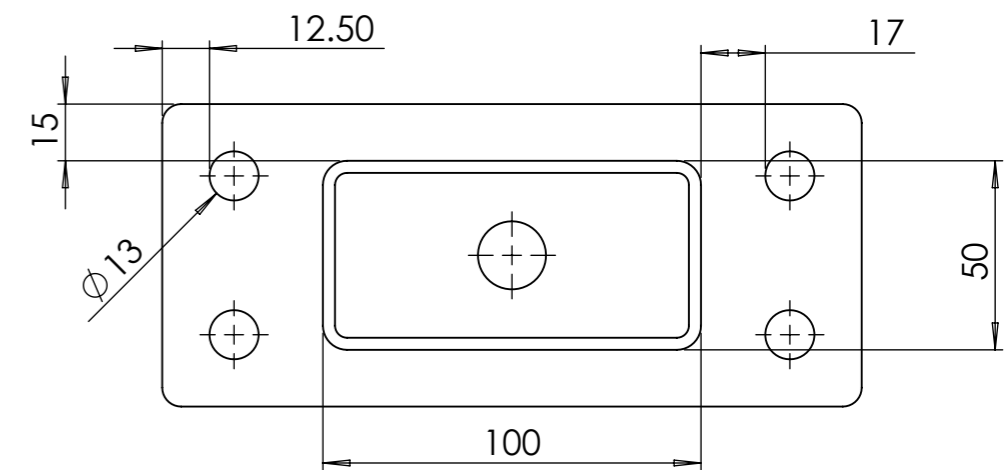


EXAMPLE OF BASE PLATE FIXTURE



FITTING DETAILS

- 1) PRE DRILLED FOR VENTING & DRAINAGE
- 2) MAXIMUM RECTANGULAR HOLLOW SECTION 100mm x 50mm
- 3) FOR USE WITH M12 BOLTS & WASHERS

	FH BRUNDLE Tel: 01708 253545 Email: sales@brundle.com Web: www.fhbrundle.co.uk			NOTES: Customer Information Drawing	
	UNLESS OTHERWISE SPECIFIED ALL DIMENSIONS ARE IN MILLIMETERS			DESCRIPTION: Rectangular Base Plate 185 x 80 x 10 With Ø13 Holes	
MATERIAL: Plain Carbon Steel			PART NO: 20021858010		
FINISH: Self Colour			DWG NO: 0008-002-007		
GRIT SIZE: N/A			A3		
WEIGHT: 1.09 Kg			SCALE:1:2	DO NOT SCALE DRAWING	SHEET 1 OF 1
DRAWN REV. BY	NAME GC	DATE 26/07/2016	REVISION A		