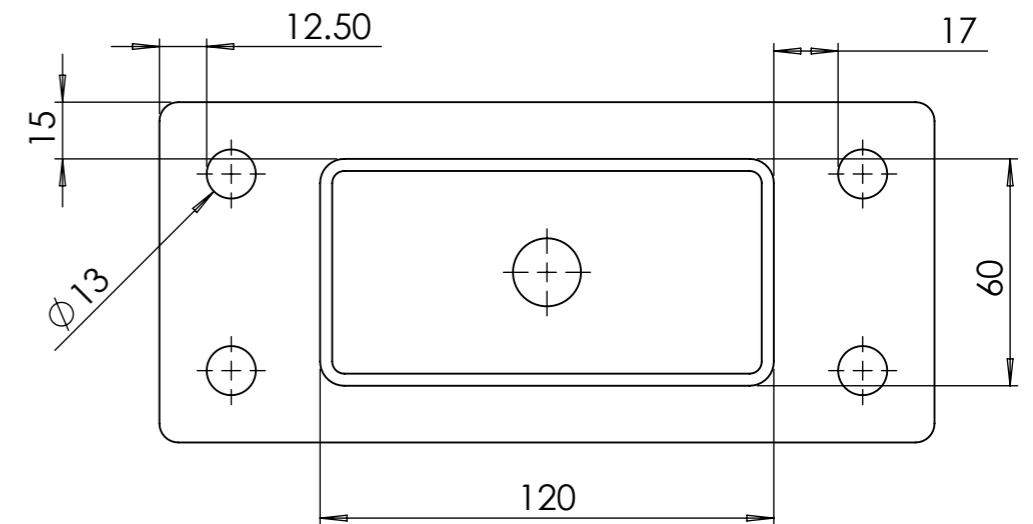


EXAMPLE OF BASE PLATE FIXTURE



FITTING DETAILS

- 1) PRE DRILLED FOR VENTING & DRAINAGE
- 2) MAXIMUM RECTANGULAR HOLLOW SECTION 100mm x 50mm
- 3) FOR USE WITH M12 BOLTS & WASHERS

	<b>FH BRUNDLE</b> Tel: 01708 253545 Email: sales@brundle.com Web: www.fhbrundle.co.uk			NOTES: Customer Information Drawing		
	MATERIAL: Plain Carbon Steel			DESCRIPTION: Rectangular Base Plate 205 x 90 x 10 With Ø13 Holes		
FINISH: Self Colour			PART NO: 20022059010			
GRIT SIZE: N/A			DWG NO: 0008-002-008			
WEIGHT: 1.38 Kg			SCALE: 1:2			
UNLESS OTHERWISE SPECIFIED ALL DIMENSIONS ARE IN MILLIMETERS			DO NOT SCALE DRAWING			
NAME GC	DATE 26/07/2016	REVISION A	SHEET 1 OF 1			
DRAWN REV. BY			A3			