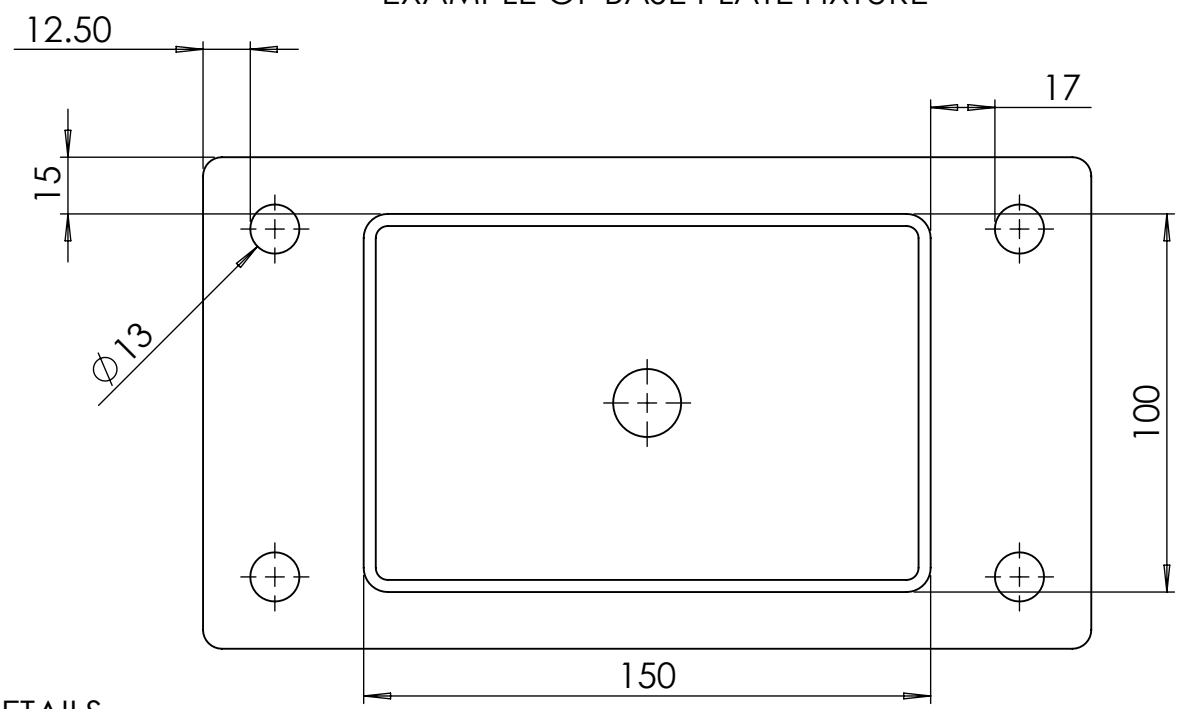



EXAMPLE OF BASE PLATE FIXTURE



FITTING DETAILS

- 1) PRE DRILLED FOR VENTING & DRAINAGE
- 2) MAXIMUM RECTANGULAR HOLLOW SECTION 150mm x 100mm
- 3) FOR USE WITH M12 BOLTS & WASHERS

	FH BRUNDLE Tel: 01708 253545 Email: sales@brundle.com Web: www.fhbrundle.co.uk			NOTES: Customer Information Drawing									
	MATERIAL: Plain Carbon Steel			DESCRIPTION: Rectangular Base Plate 235 x 130 x 10 With Ø13 Holes									
FINISH: Self Colour			PART NO: 200223513010										
GRIT SIZE: N/A			DWG NO: 0008-002-009										
WEIGHT: 2.32 Kg			SCALE: 1:2										
UNLESS OTHERWISE SPECIFIED ALL DIMENSIONS ARE IN MILLIMETERS			DO NOT SCALE DRAWING										
<table border="1"> <thead> <tr> <th>NAME</th> <th>DATE</th> <th>REVISION</th> </tr> </thead> <tbody> <tr> <td>DRAWN GC</td> <td>26/07/2016</td> <td>A</td> </tr> <tr> <td>REV. BY</td> <td></td> <td></td> </tr> </tbody> </table>	NAME	DATE	REVISION	DRAWN GC	26/07/2016	A	REV. BY			A3		SHEET 1 OF 1	
NAME	DATE	REVISION											
DRAWN GC	26/07/2016	A											
REV. BY													