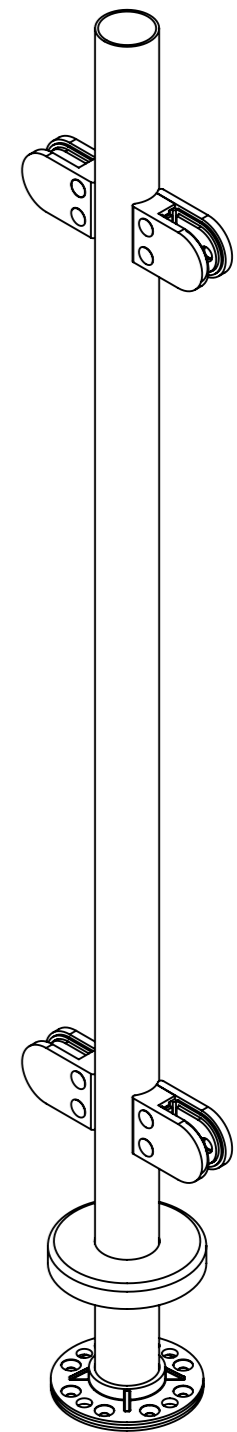
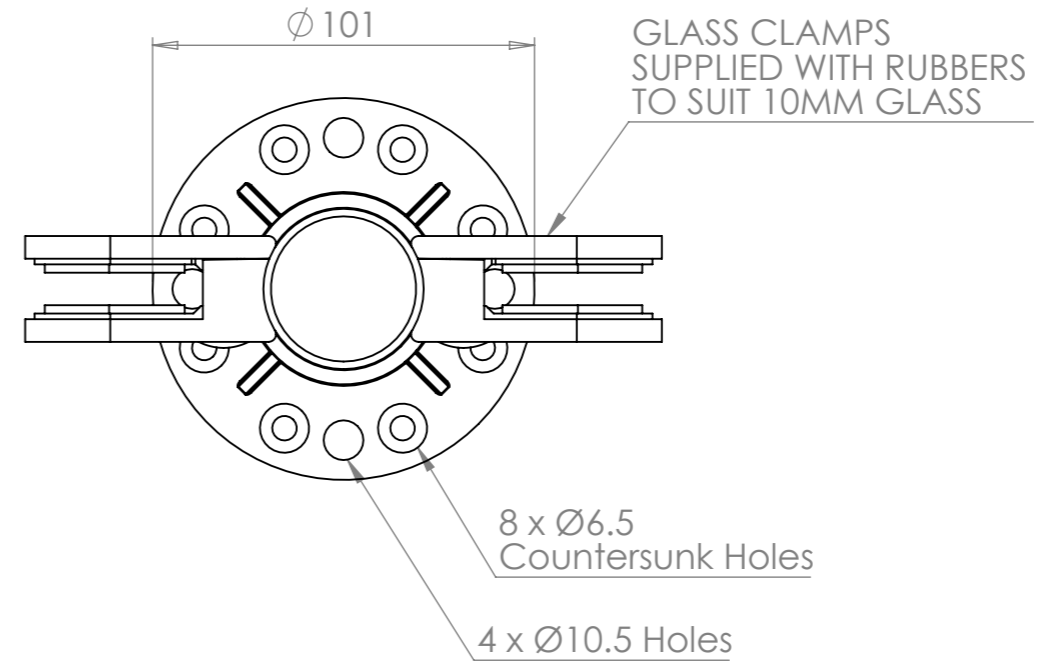


### Base Plate Detail

Scale 1:2



Part Code	Material	Finish	Grit Size
1804762C	304 Stainless	Satin Polished	320
1806762C	316 Stainless	Satin Polished	320
1806762CM	316 Stainless	Mirror Finish	800

DESCRIPTION: 42.4mm Mid Rail with Welded Base & Cover 4 x Clamps, Without Top, 1100mm High				
	NAME	DATE	REVISION	UNLESS OTHERWISE SPECIFIED ALL DIMENSIONS ARE IN MILLIMETERS
DRAWN	EF	27/06/19	F	
CHECKED				
DO NOT SCALE DRAWING			SCALE:1:5	A3