

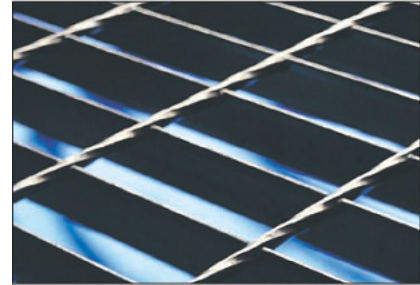


F. H. BRUNDLE

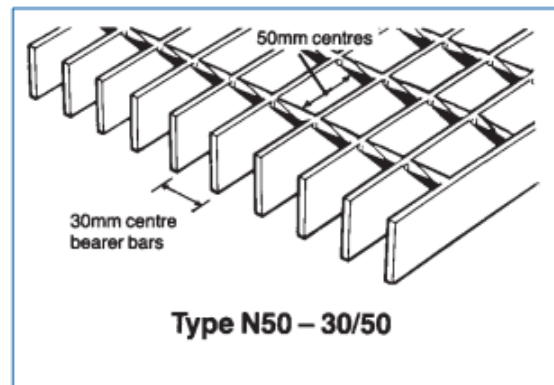
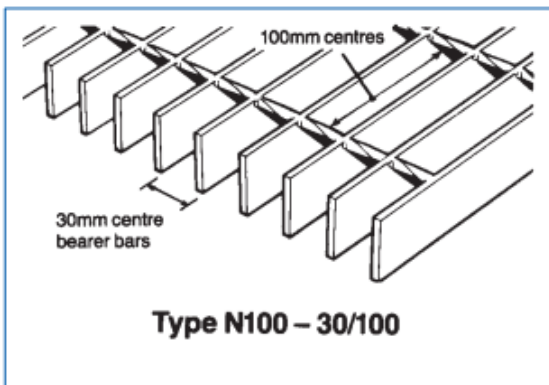
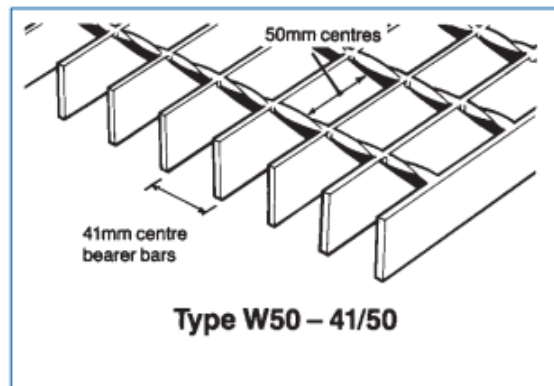
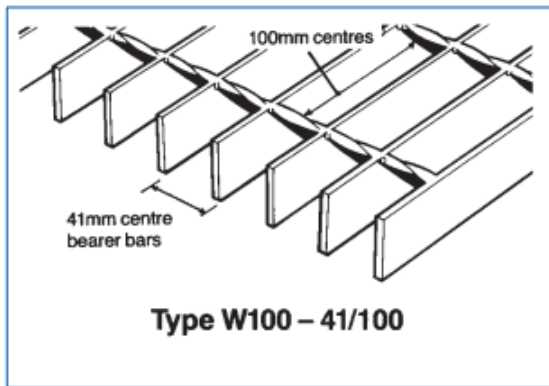
OPEN STEEL FLOORING

STANDARD PANELS - 6 metres x 1 metre

- * THE BEARER BARS RUN THE LENGTH OF THE PANEL.
- * FLOORING CAN ALSO BE CUT TO SIZE AND SHAPED TO SUIT YOUR INDIVIDUAL REQUIREMENTS.



BAR ARRANGEMENTS



HOW TO ORDER

STANDARD PANELS

1. Type of flooring.
2. Bar dimension.
3. Finish - plain, galvanised or bituminous.

IF A SPECIAL we also need

1. Size of panel.
2. Direction of load bearing bars
3. Are binding bars required on edges?
4. Drawings with written order

SOUTH & WEST
502 Millbrook Road,
Third Avenue, Millbrook,
Southampton,
SO15 0JX
Tel: 023 8070 3333
Fax: 023 8070 5555

NORTH WEST
Haydock Lane,
Haydock Industrial Park,
St. Helens,
WA11 9XE
Tel: 01942 86 88 88
Fax: 01942 86 88 99

LONDON & SOUTH EAST
Lamson Road,
Ferry Lane North,
Rainham, Essex,
RM13 9YY
Tel: 01708 25 35 45
Fax: 01708 25 35 50

WEST MIDLANDS
Unit 6, Dorset Road,
Saltley Business Park,
Saltley, Birmingham,
B8 1BG
Tel: 0121 327 8999
Fax: 0121 327 85555

EAST MIDLAND & NORTH
Condor Road,
Quarry Hill Ind. Estate,
Ilkeston,
DE7 4RE
Tel: 0115 930 2070
Fax: 0115 951 2455

SCOTLAND
37 St. Clair Street,
Edinburgh,
Scotland,
EH6 8LB
Tel: 0131 656 7400
Fax: 0131 656 7499