

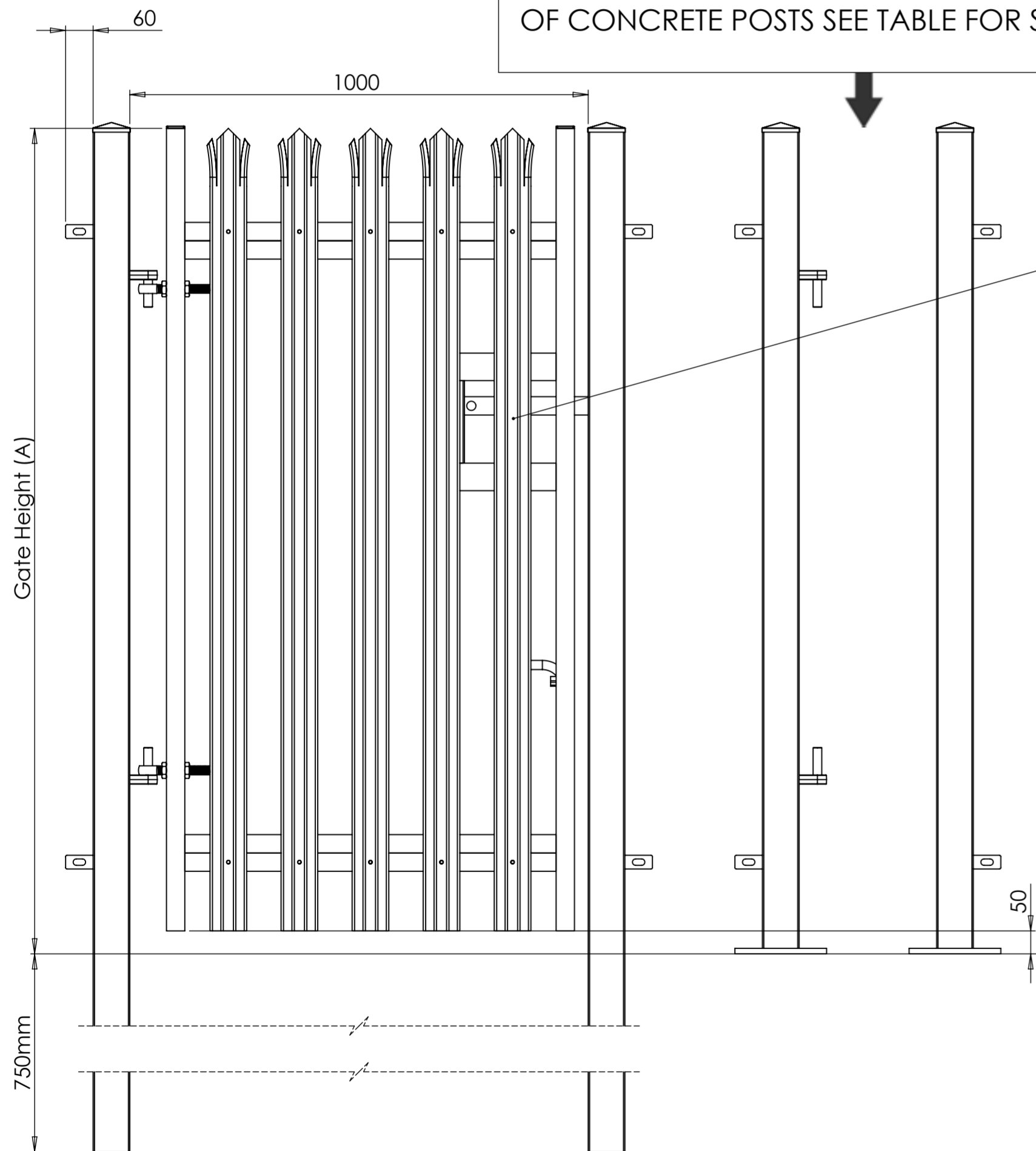
# Single Leaf 1000mm Wide Palisade Gates

Single Leaf Gate Height (A)	D Pales Part Number	W Pales Part Number	Frame	Posts	Embedded Length	Base Plate Size	Finish	Drop Bar	Attachment Plates & Bolts
1800mm	47SLC181D	47SLC181W	60 x 40 x 3	80 x 80 x 5	750mm	N/A	All Gates have a Galvanised finish as Standard (BS1772)	Included	Included
2000mm	47SLC201D	47SLC201W	60 x 40 x 3	80 x 80 x 5					
2100mm	47SLC201D	47SLC201W	60 x 40 x 3	80 x 80 x 5					
2400mm	47SLC241D	47SLC241W	60 x 40 x 3	80 x 80 x 5					
3000mm	47SLC301D	47SLC301W	60 x 40 x 3	100 x 100 x 4					
1800mm	47SLB181D	47SLB181W	60 x 40 x 3	80 x 80 x 5	N/A	200 x 200 x 12			
2000mm	47SLB201D	47SLB201W	60 x 40 x 3	80 x 80 x 5		200 x 200 x 12			
2100mm	47SLB201D	47SLB201W	60 x 40 x 3	80 x 80 x 5		200 x 200 x 12			
2400mm	47SLB241D	47SLB241W	60 x 40 x 3	80 x 80 x 5		200 x 200 x 12			
3000mm	47SLB301D	47SLB301W	60 x 40 x 3	100 x 100 x 4		250 x 250 x 14			

## SPECIFICATIONS & FEATURES

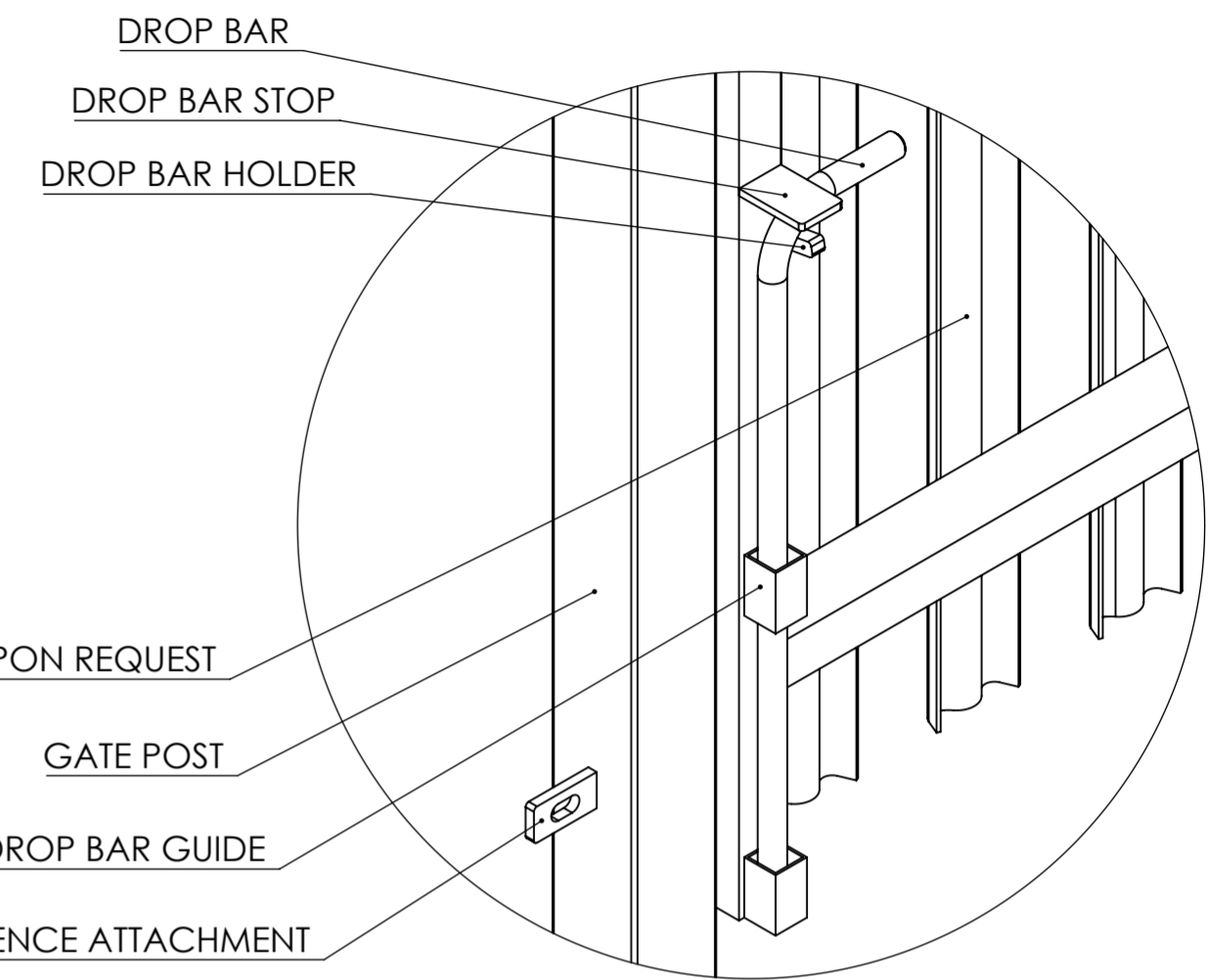
- 1) All Gates Come With 'D' or 'W' Profile Pales Which Are 3mm For Security Purposes
- 2) As A Climbing Deterrent All Pales Are Triple Pointed
- 3) Snap Off Nuts Used to Ensure Gates Are Tamper Proof
- 4) Gates Are Supplied With A High Quality Finish. Galvanised to BS1722.
- 5) These Gates Are Designed To Accompany Palisade Fencing
- 6) Palisade Gates Come Complete With A Slide Latch With Two Padlock Holes & Drop Bars
- 7) As Standard All Gates Are Left Hung When Viewed Front Face
- 8) ALL Gates Open Both Inwards & Outwards

BOLT DOWN POSTS CAN BE PROVIDED INSTEAD OF CONCRETE POSTS SEE TABLE FOR STOCK CODES

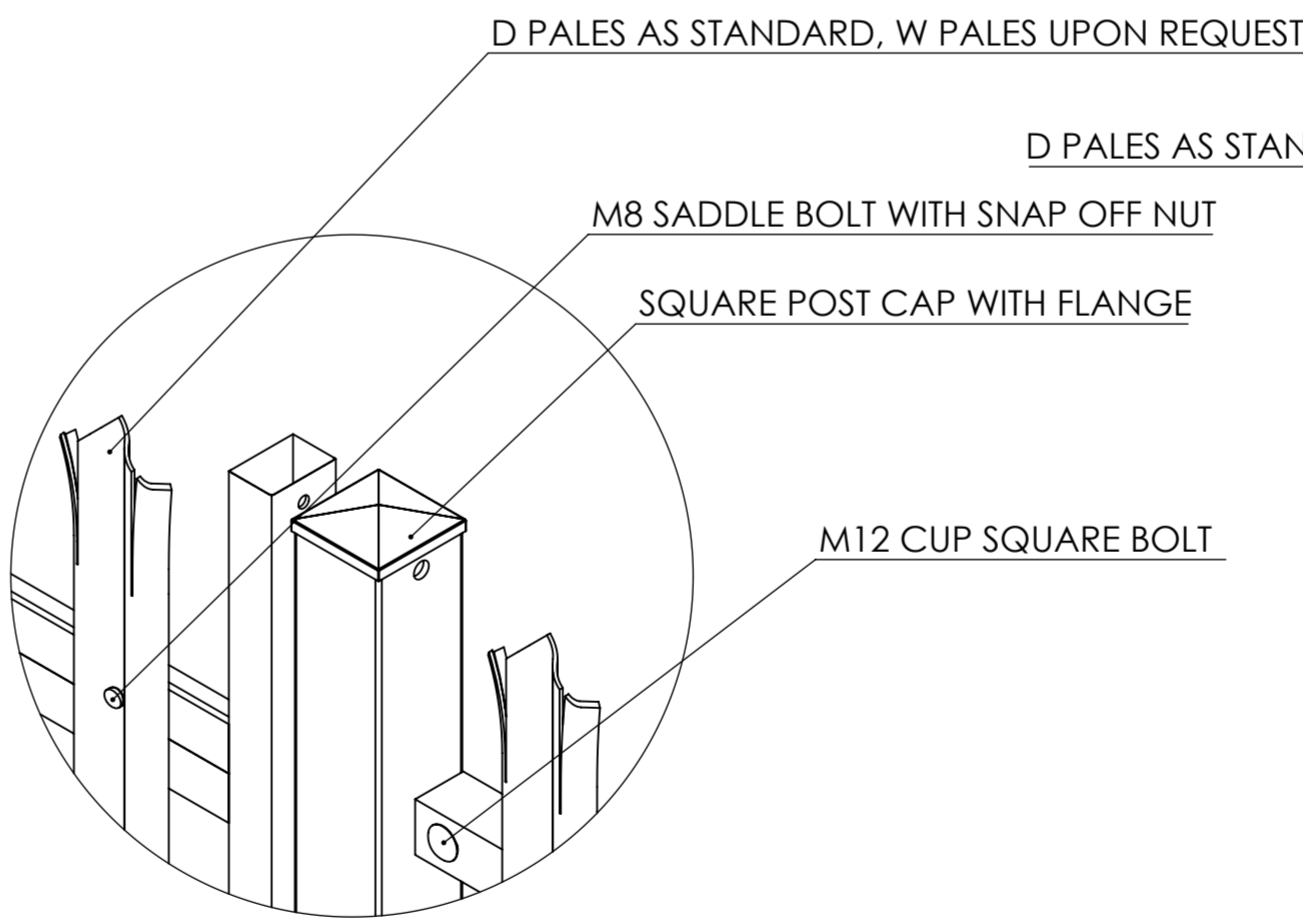


### IMPORTANT NOTE

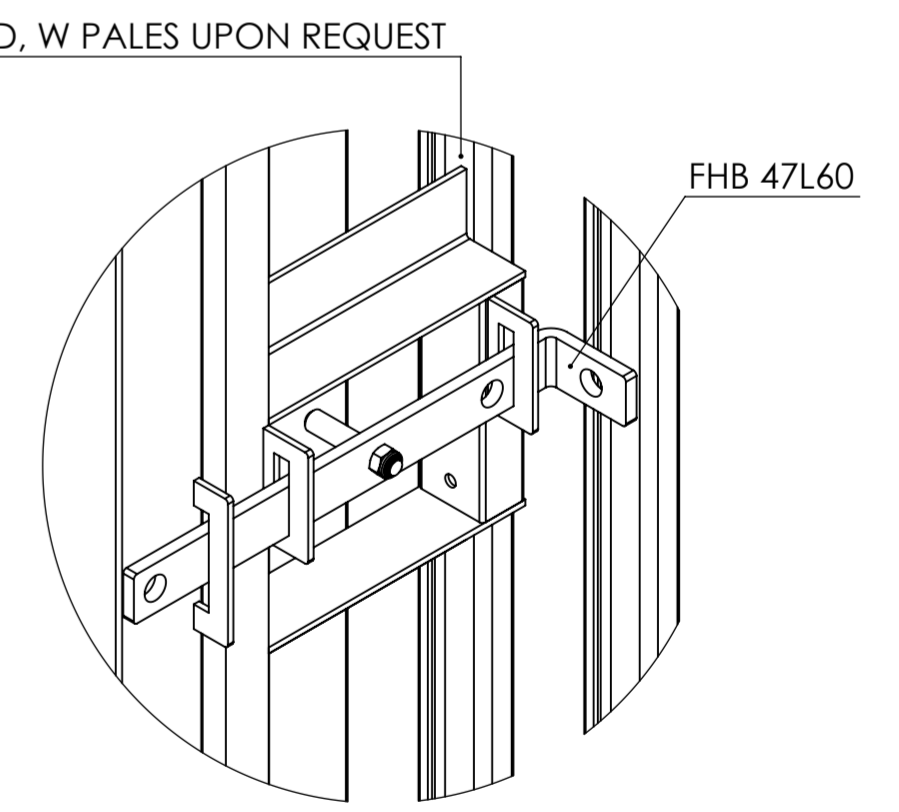
ALL GATES COME WITH A FULL PALE OVER THE LATCH. HOLES ARE PROVIDED ON THE LATCH FRAME SHOULD OUR CUSTOMERS WISH TO OPEN THIS SECTION AND USE SADDLE BOLTS.



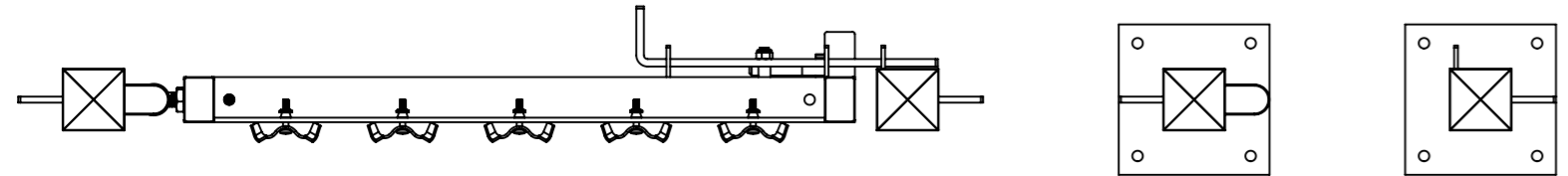
Back View of Drop Bar, Lugs Are Used To Attach Palisade Fencing To Gate Post



Slide Latch With Padlock Holes & Reversible Handle As Standard. (Padlock Not Included)



Gate & Fencing Attachment Example. This Can Be Achieved Using The Stated Fixing Bolts



**FH BRUNDE**  
Tel: 01282 834545  
Email: designs@brundle.com  
Web: www.fhbrundle.co.uk

NOTES: Technical Drawing - Drawing Not To Be Supplied To Customer

DESCRIPTION: Single Leaf 1000mm Wide Palisade Gates

UNLESS OTHERWISE SPECIFIED ALL DIMENSIONS ARE IN MILLIMETERS			
NAME	DATE	REVISION	
GC	18/05/2015	A	
REV. BY			

MATERIAL:	Mild Steel
FINISH:	Galvanised
GRIT SIZE:	N/A
WEIGHT:	N/A

PART NO:	N/A
DWG NO:	47SL*****
DO NOT SCALE DRAWING	