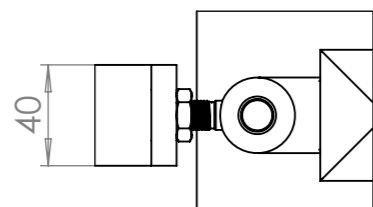
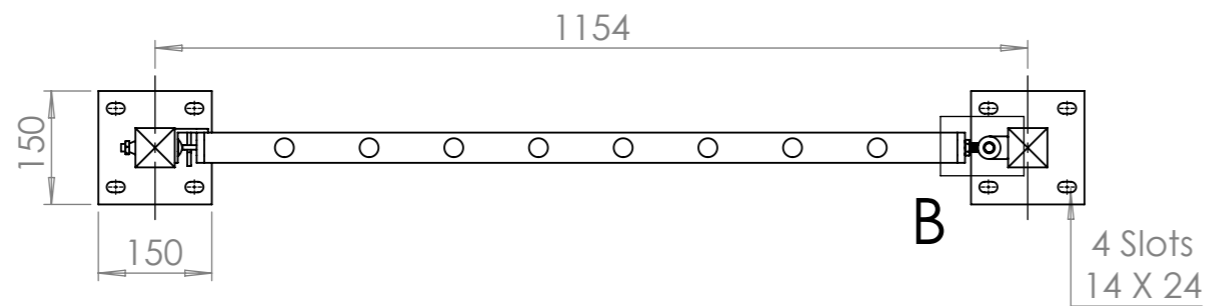
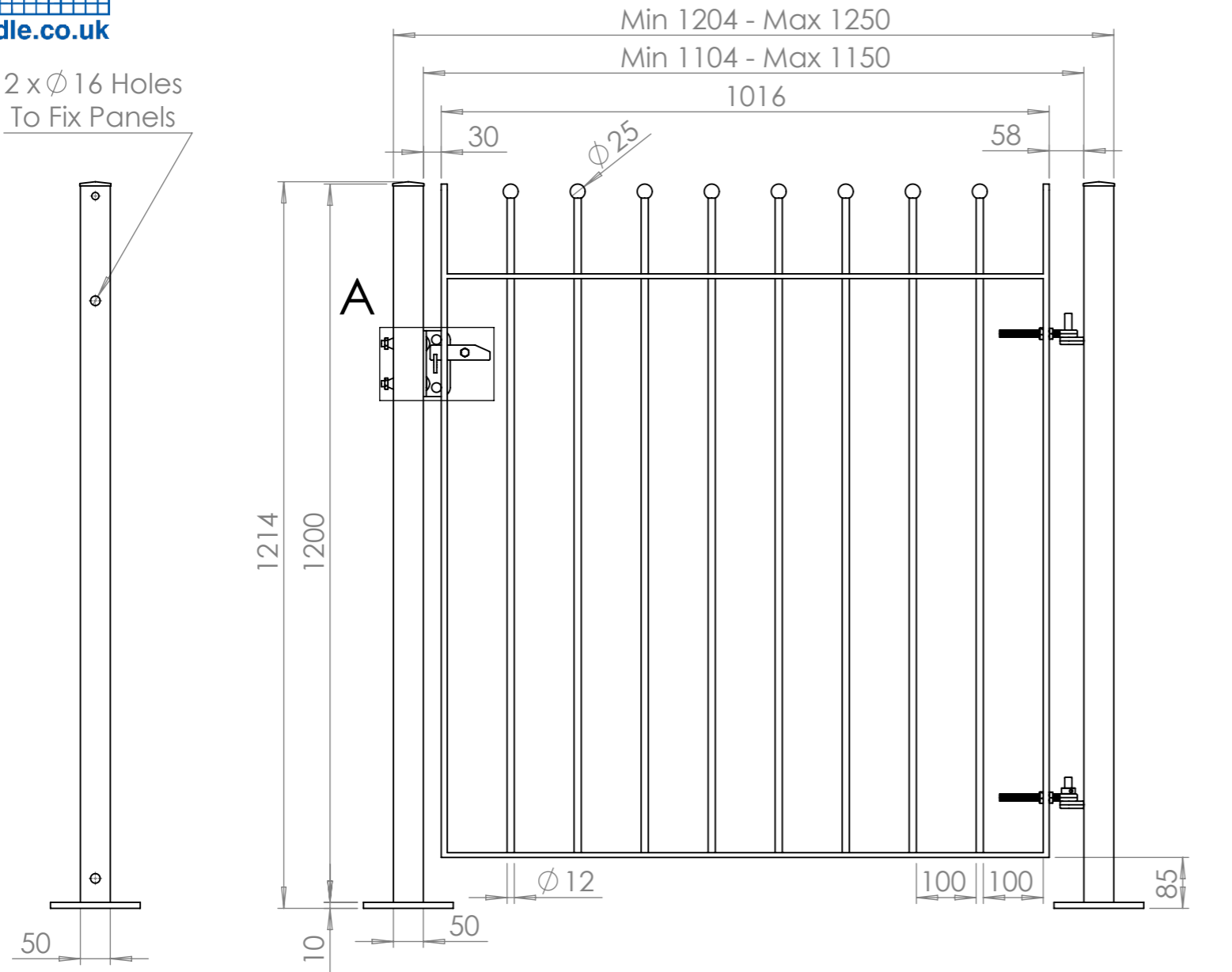
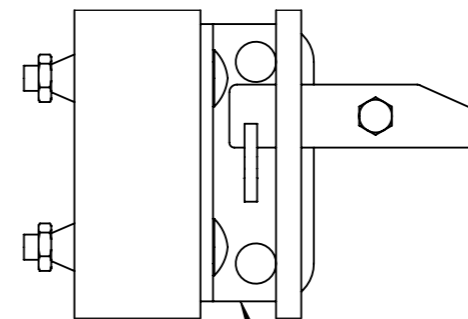


2 x Ø 16 Holes
To Fix Panels

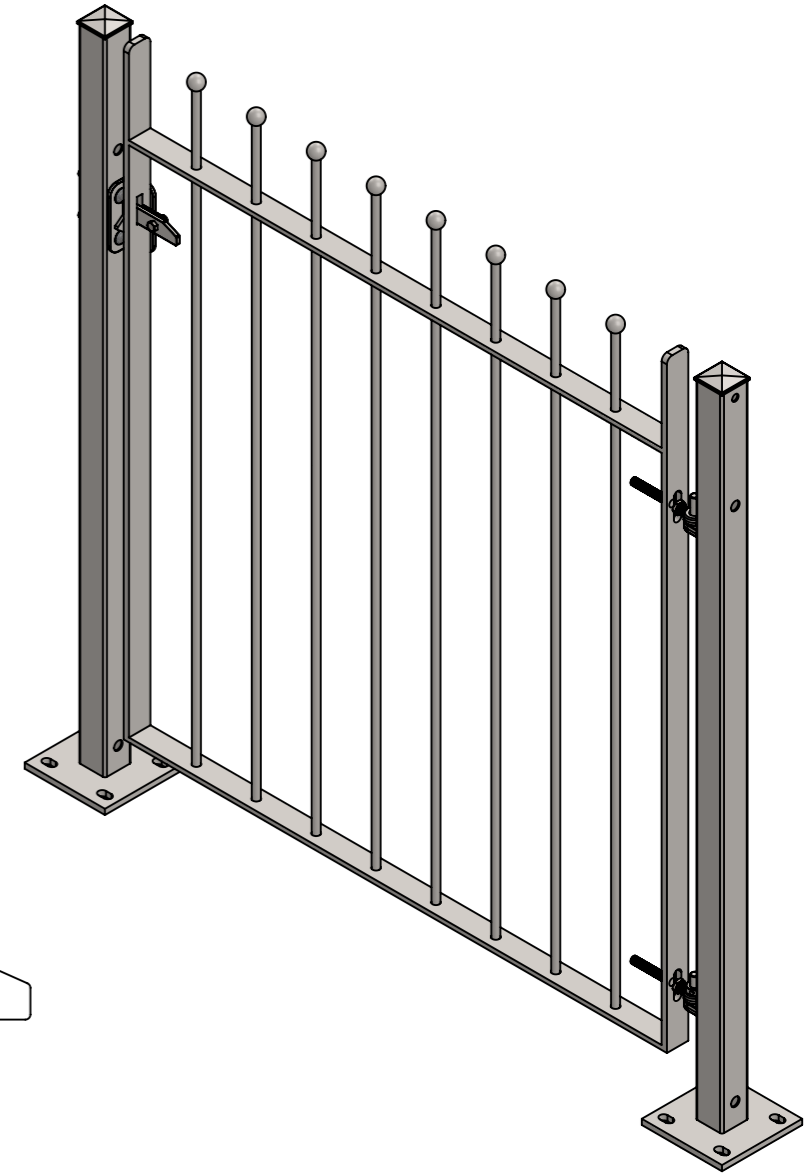


DETAIL B
SCALE 1 : 3

DETAIL A
SCALE 1 : 3



Two Ø16mm Holes
For Padlock. Catch
is Reversible.



PART CODE	MATERIAL	FINISH
51SLBST12121	Mild Steel	HDG
51SLBST12121B	Mild Steel	HDG & PPC RAL 9005

DESCRIPTION: Sphere Top 1200mm High Single Gate With Bolt Down Posts				
	NAME	DATE	REVISION	UNLESS OTHERWISE SPECIFIED ALL DIMENSIONS ARE IN MILLIMETERS
DRAWN	LT	08/05/2019	B	
CHECKED	LT	15/09/2020		
DO NOT SCALE DRAWING			SCALE:1:10	A3