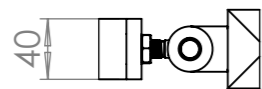
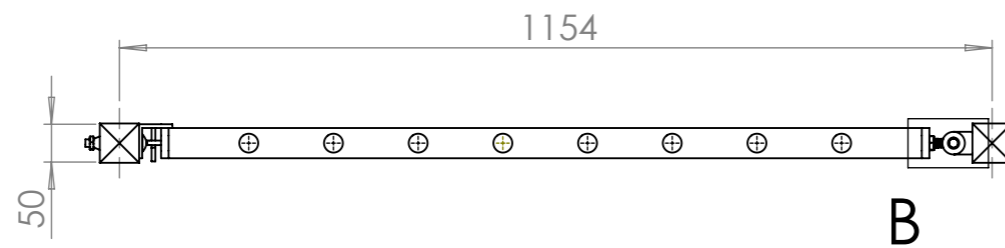
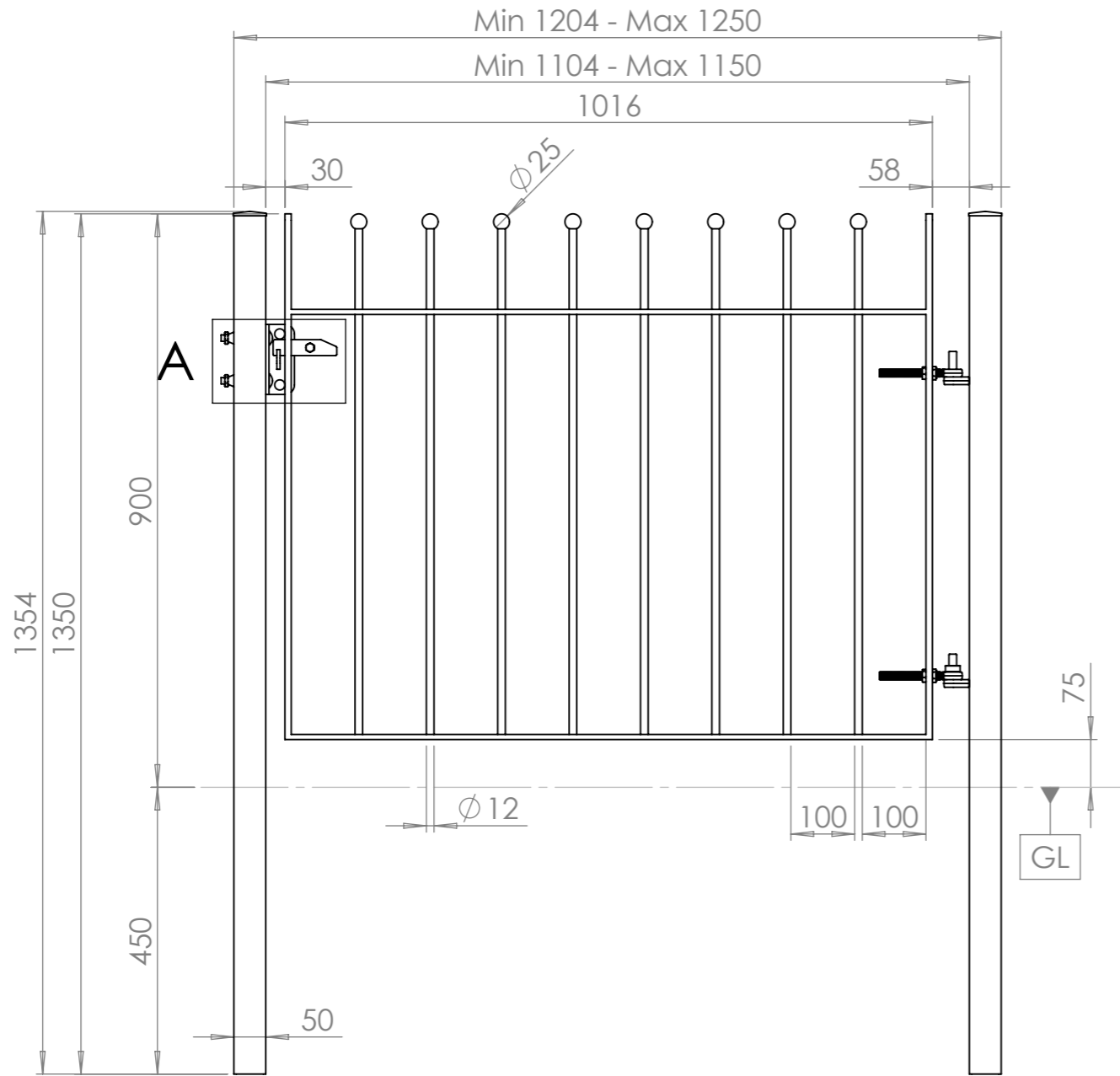
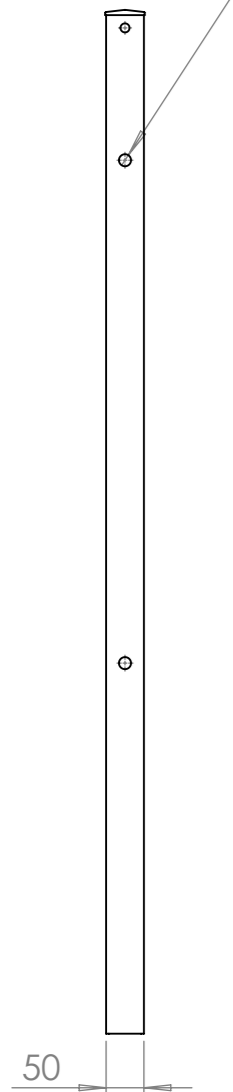
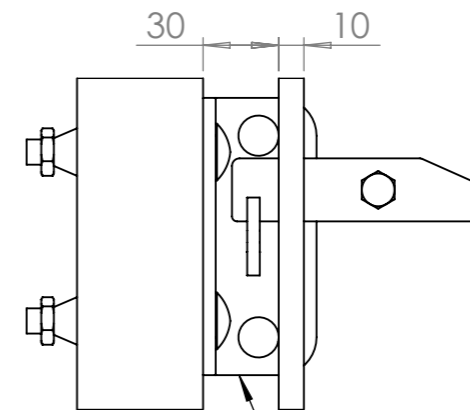


2 x Ø 16 Holes
To Fix Panels

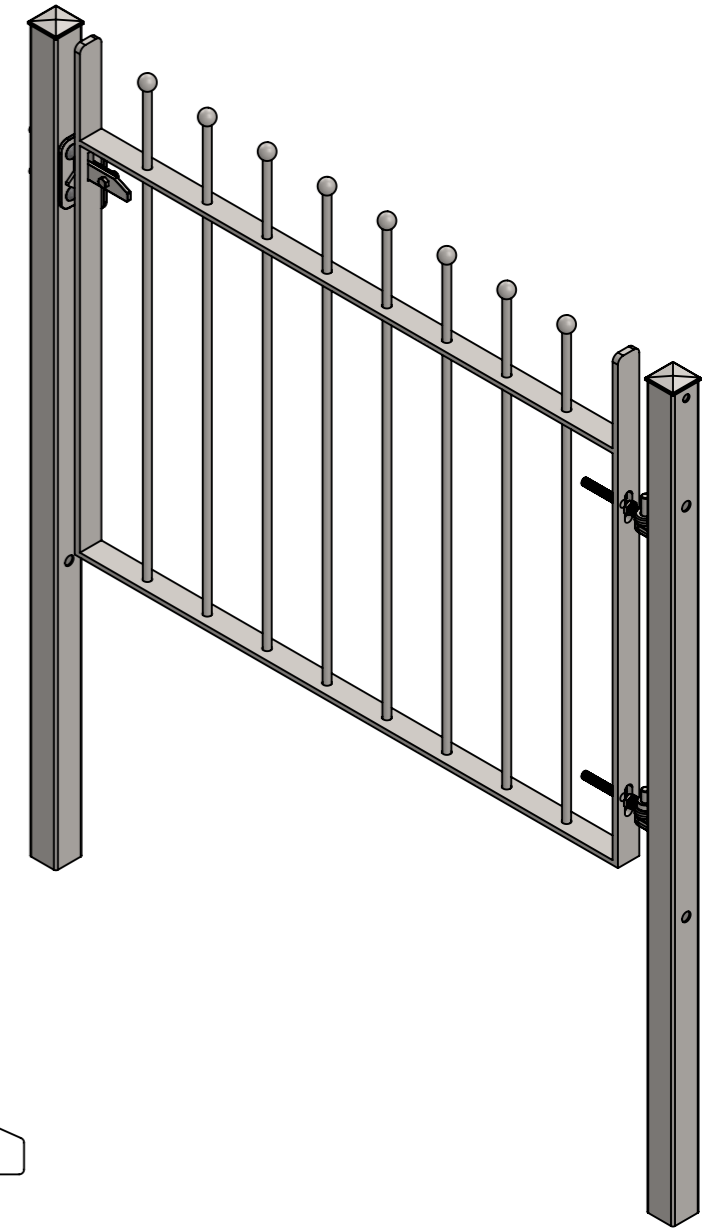


DETAIL B
SCALE 1 : 5

DETAIL A
SCALE 1 : 3



Two Ø16mm Holes
For Padlock. Catch
Is Reversible



PART CODE	MATERIAL	FINISH
51SLCST09121	Mild Steel	HDG
51SLCST09121B	Mild Steel	HDG & PPC RAL 9005

DESCRIPTION: Sphere top: 900mm high single leaf gate with concrete in posts

	NAME	DATE	REVISION	UNLESS OTHERWISE SPECIFIED ALL DIMENSIONS ARE IN MILLIMETERS	A3		
DRAWN	LT	10/06/2019	B			DO NOT SCALE DRAWING	SCALE:1:10
CHECKED	LT	15/09/2020					