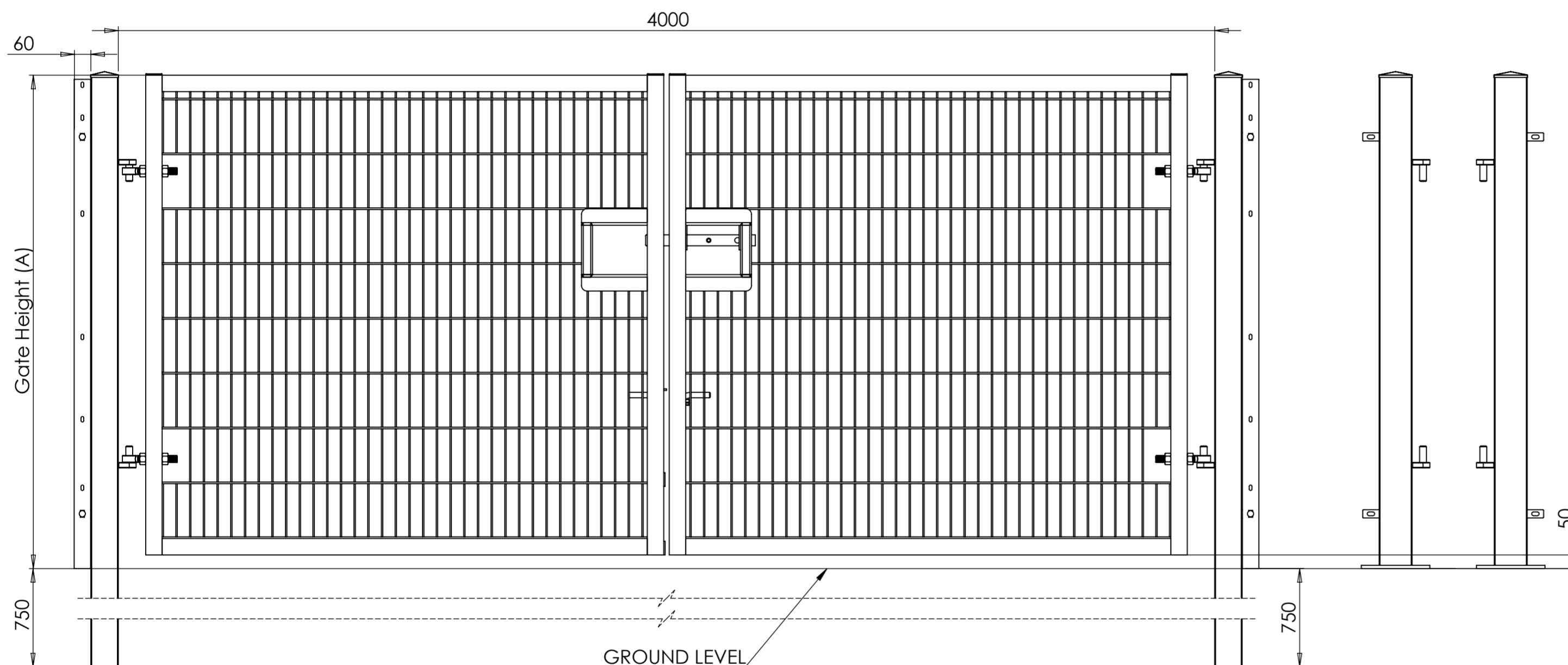


Double Leaf 4000mm Wide Heavy Gauge Weldmesh Gates Featuring Twin Horizontal Wires

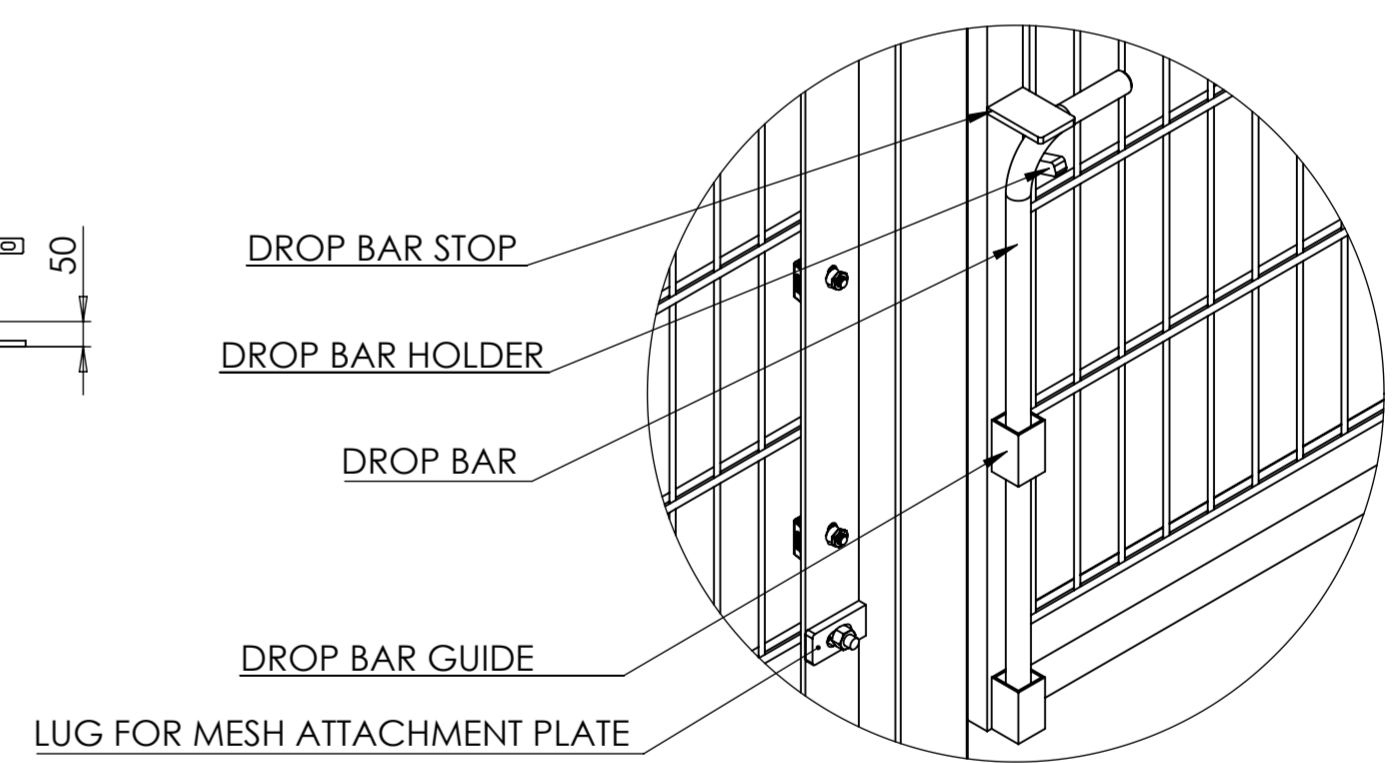
SPECIFICATIONS & FEATURES

Double Leaf Gate Height & Color (A)	Part Number	Floor Fixing Method	Frame	Posts	Embedded Length	Base Plate Size	Mesh Type	Finish	Drop Bar	Attachment Plates & Bots
1800mm Green	54DLC184G	Concrete in Post	60 x 60 x 4	100 x 100 x 5	750mm	N/A	Nylofor 2D	All Gates have a Galvanised Substrate & Have been Polyester Powder Coated	Included	Included
2000mm Green	54DLC204G		60 x 60 x 4	120 x 120 x 5						
2400mm Green	54DLC244G		60 x 60 x 4	120 x 120 x 5						
1800mm Black	54DLC184B		60 x 60 x 4	100 x 100 x 5						
2000mm Black	54DLC204B		60 x 60 x 4	120 x 120 x 5						
2400mm Black	54DLC244B		60 x 60 x 4	120 x 120 x 5						
1800mm Green	54DLB184G	Bolt Down Posts	60 x 60 x 4	100 x 100 x 5	N/A	250 x 250 x 12	Nylofor 2D	All Gates have a Galvanised Substrate & Have been Polyester Powder Coated	Included	Included
2000mm Green	54DLB204G		60 x 60 x 4	120 x 120 x 5		250 x 250 x 14				
2400mm Green	54DLB244G		60 x 60 x 4	120 x 120 x 5		250 x 250 x 14				
1800mm Black	54DLB184B		60 x 60 x 4	100 x 100 x 5		250 x 250 x 12				
2000mm Black	54DLB204B		60 x 60 x 4	120 x 120 x 5		250 x 250 x 14				
2400mm Black	54DLB244B		60 x 60 x 4	120 x 120 x 5		250 x 250 x 14				

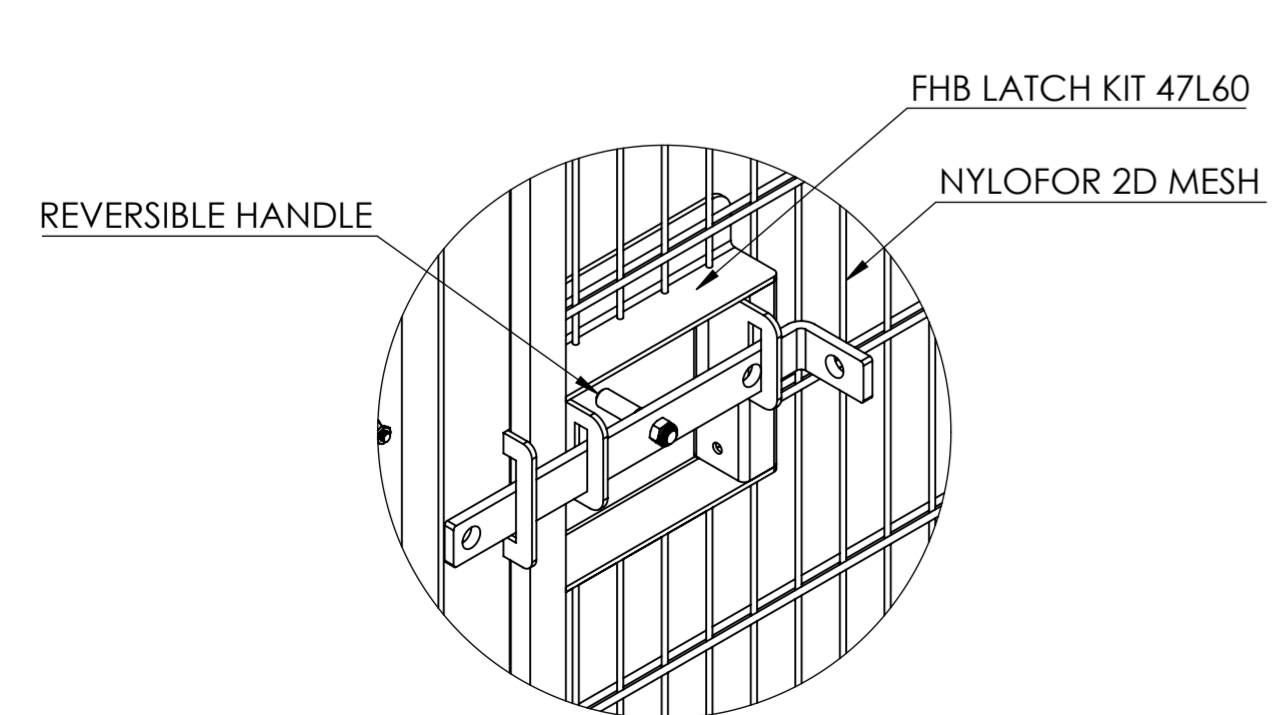
- 1) Mesh Pattern 200mm x 50mm Resistance Welded At Each Intersection.
- 2) Horizontal Wires Are 2 X Ø6mm At 200mm Centres
- 3) Vertical wires are Ø5mm At 50mm Centres
- 4) Gates Provided In Green or Black Polyester Coated Finish With A Galvanised Substrate.
- 5) These Gates Are Designed To Accompany The Twilfix 2000 Post System.
- 6) Mesh Gates Come Complete With A Slide Latch With Two Padlock Holes & Drop Bars
- 7) As Standard All Gates Are Left Hung When Viewed Front Face
- 8) ALL Gates Open Both Inwards & Outwards



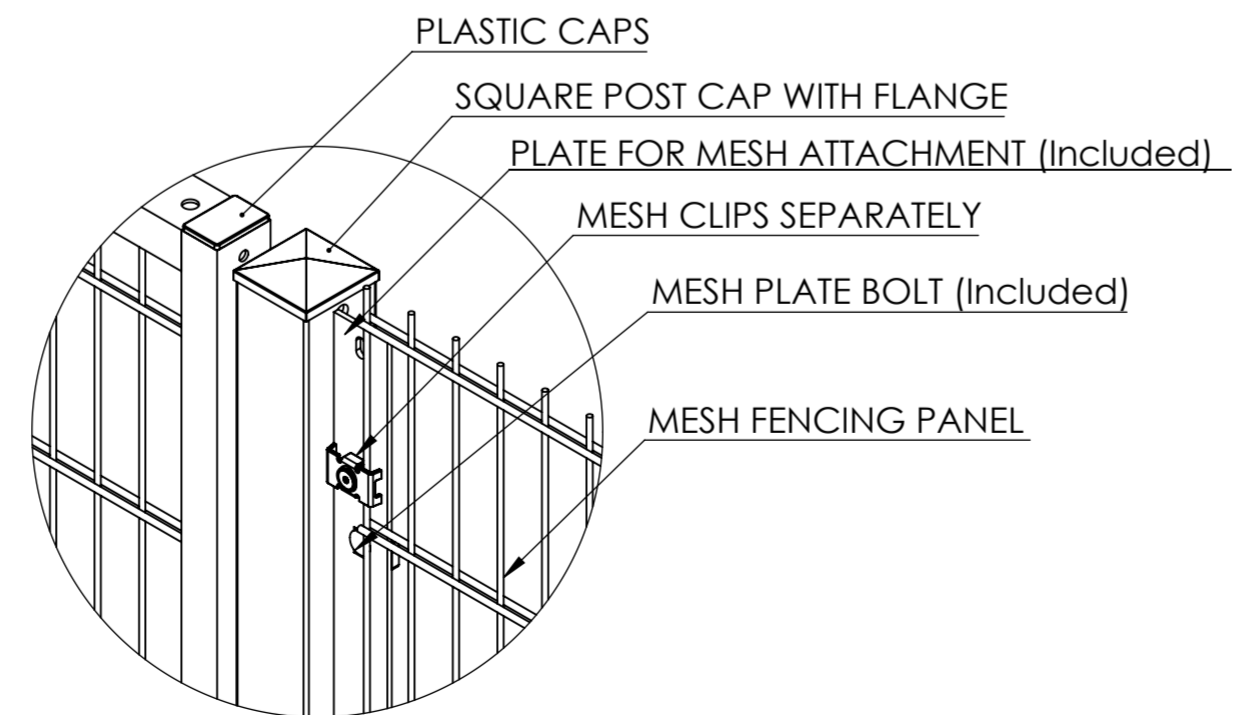
← BOLT DOWN POSTS CAN BE PROVIDED INSTEAD OF CONCRETE POSTS SEE TABLE FOR STOCK CODES



Back View of Drop Bar and Mesh Attachment Plate. Mesh Plate & Fittings Sold Separately



Slide Latch With Padlock Holes & Removable Handle As Standard. (Padlock Not Included)



Gate & Fence Attachment Example This Can Be Achieved Using The Fixings Which Are Sold Separately.



FH BRUNDLE
Tel: 01282 834545
Email: designs@brundle.com
Web: www.fhbrundle.co.uk

NOTES:	Customer Drawing
DESCRIPTION:	Double Leaf Mesh Gates.
PART NO:	N/A
DWG NO:	57DL*****
MATERIAL:	Mild Steel
FINISH:	Powder Coated
GRIT SIZE:	NA
WEIGHT:	NA
DO NOT SCALE DRAWING	SHEET 1 OF 1

UNLESS OTHERWISE SPECIFIED ALL DIMENSIONS ARE IN MILLIMETERS			
NAME	DATE	REVISION	
GC	29/10/2018	A	