



F. H. BRUNDLE

FIBRE STEP NOSING

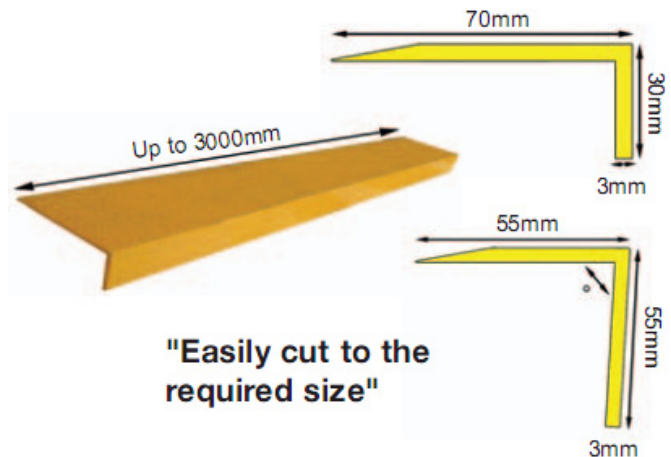


Produced from fibreglass material this product is ideal for contrasting the edges of staircases accessible for members of the public. As well as providing a slip resistant top surface it fulfils the requirements set out in the DDA.

Fibre step nosing is available in two sizes, the 70 x 30mm is the standard however to meet current Building Regulations, a 55 x 55mm is also available.



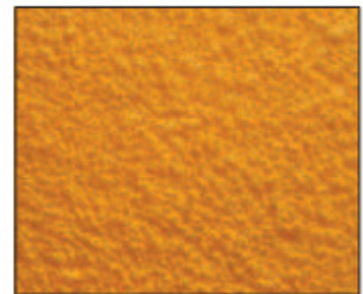
Comes in a choice of yellow or white.



Two types of grit surface are available. Type I with its smaller grit size is usually used for internal use, whilst the Type E with a much heavier grit profile is ideal for the rigours of the external environment.



Type "I"



Type "E"

Stock Size mm	Nosing	Code
3000	70 x 30	33001 I/E
1500	70 x 30	33002 I/E
1000	70 x 30	33003 I/E
750	70 x 30	33004 I/E
3000	55 x 55	33005 I/E
1500	55 x 55	33006 I/E
1000	55 x 55	33007 I/E
750	55 x 55	33008 I/E

FIXING KIT



Code: 33009

SOUTH & WEST
502 Millbrook Road,
Third Avenue, Millbrook,
Southampton,
SO15 0JX
Tel: 023 8070 3333
Fax: 023 8070 5555

NORTH WEST
Haydock Lane,
Haydock Industrial Park,
St. Helens,
WA11 9XE
Tel: 01942 86 88 88
Fax: 01942 86 88 99

LONDON & SOUTH EAST
Lamson Road,
Ferry Lane North,
Rainham, Essex,
RM13 9YY
Tel: 01708 25 35 45
Fax: 01708 25 35 50

WEST MIDLANDS
Unit 6, Dorset Road,
Saltley Business Park,
Saltley, Birmingham,
B8 1BG
Tel: 0121 327 8999
Fax: 0121 327 85555

EAST MIDLAND & NORTH
Condor Road,
Quarry Hill Ind. Estate,
Ilkeston,
DE7 4RE
Tel: 0115 930 2070
Fax: 0115 951 2455

SCOTLAND
37 St. Clair Street,
Edinburgh,
Scotland,
EH6 8LB
Tel: 0131 656 7400
Fax: 0131 656 7499