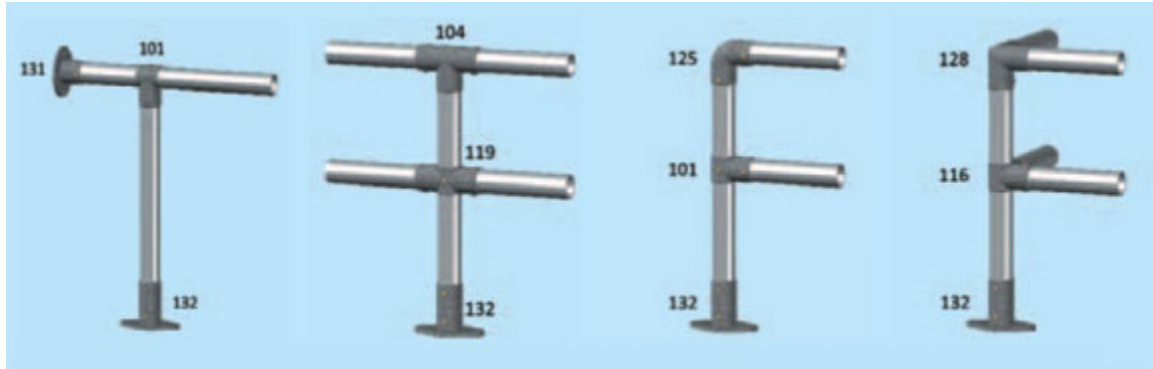




F. H. BRUNDLE



Tube Clamps Application Guide

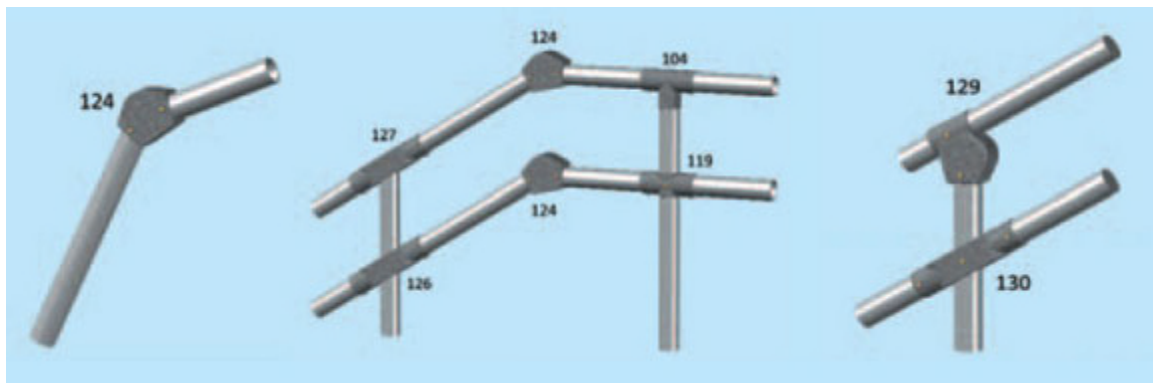


Wall and base
flange with through
top

Enables Tubes to
be joined

Start and End
Section

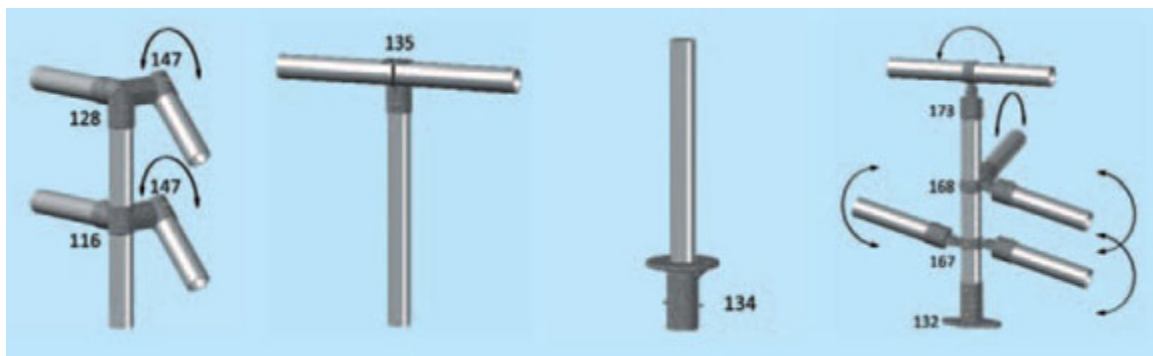
90 degree corner



Adjustable 15 to 60
degrees

124 - 15 to 60 degrees
from horizontal

129 - Adjustable 30 to 60
degrees
130 - Adjustable 30 to 45
degrees

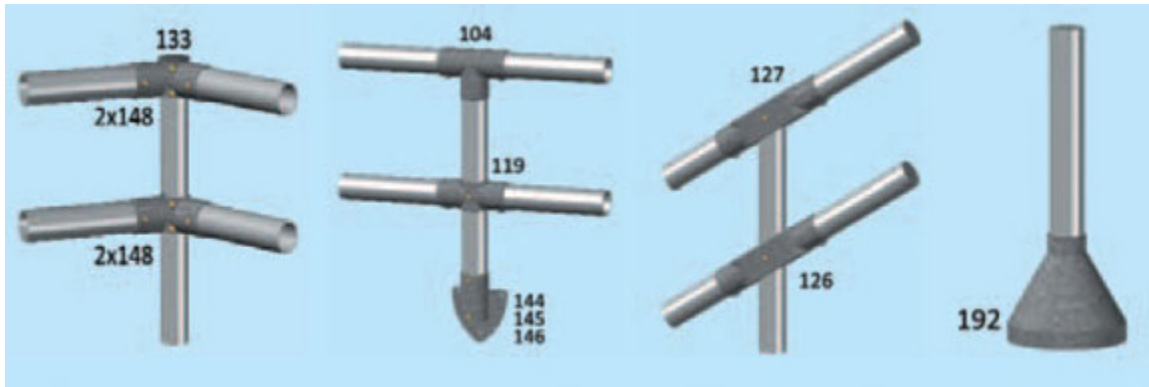


From Slope to Level
Rail using **147**

Allows fixing to
existing rail

Ground Socket for
Removable Tubes

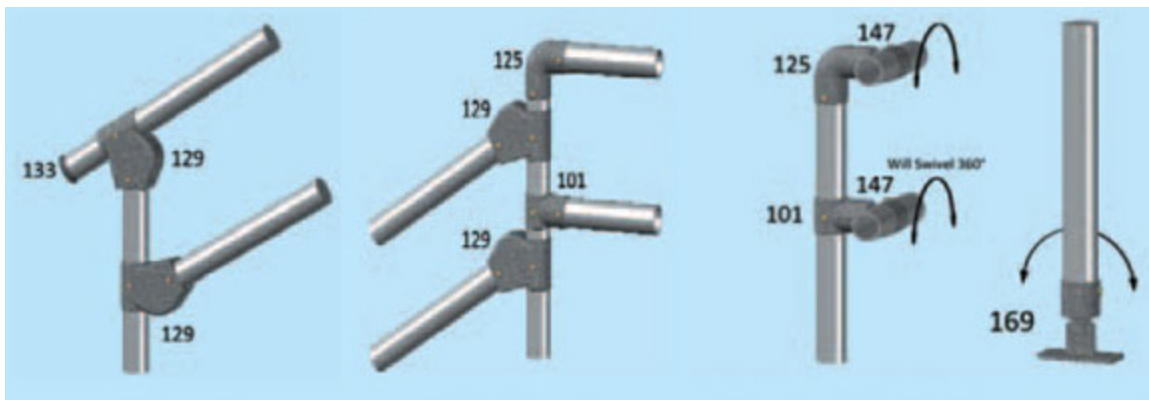
Riveted Swivel



Adjustable Horizontals - Wall Face Fixing
90 to 180 degrees

Supplied for Slope up to 45 degrees - state angle required

Covers base 132 and then Sealant allows it to be waterproof



Start End - 30 to 60 degrees

Slope 30 to 60 degrees to level rail

The **147** neck fits into other fittings and allows any angle of rail

Swivel Base