

Icons

Throughout this section there are various icons to help you with your product selection.



Height



Width



Depth



Thickness



Weight



Diameter



Square Solid



Round Solid



Square Hollow



Technical information that can be found on our website



Scan for more information

Gate Hardware



Index

Adjustable Gate Closers.....	227
Adjustable Self-Closing Gate Hinges.....	228-230
Bi-Folding Gate Kits.....	275-277
Bolt On Deadlocks.....	243
Bolt On Locks.....	243-246
Brush Strip.....	258
Cantilever Gate.....	274
Cantilever Gate Components.....	270-273
Catches.....	231-233
Child Safety Locks.....	242
Combination Locks.....	244-247
Door	
Knockers.....	260
Lock Plates.....	259
Pulls.....	259
Drop Bars & Bolts.....	235-238
Electric	
Gate Entry Keypad.....	230
Insert Keeps.....	254
Surface Mounted Keeps.....	230
Electromagnetic Locks & Strikes.....	251-252
Fire Brigade Converted Deadlocks.....	243
Gap Safe Finger Protection Cover.....	260
Gate	
Closers.....	224-230
Hooks & Eyes.....	223
Locks.....	242-257
Safety Cables.....	217
Stops.....	240-241
Glass Gate Hardware.....	226
Ground Stops.....	238
Guardian Cantilever Gate Kits.....	274
H Brush Strip.....	258
Handles.....	258-259
Hinge Hooks.....	222
Hinges & Accessories.....	212-234
Jockey Wheels.....	239
Latches & Catches.....	231-233
Locinox	
Accessories.....	250
Mounting System.....	213
New Generation Locks.....	248
Old Generation Locks.....	249
Specialist Locks.....	242
Lock Plates.....	259
Locking Knob Set.....	247
Locks.....	242-257
Padlocks & Padbolts.....	234
Polymer hinges.....	224-225
Polymer Latches & Catches.....	233
Push Bar.....	242
Push Pad Locks.....	247
Quick Exit Gate Locks.....	247
Radius Corner Gate Kit.....	279
Safety Cables.....	217
Security Collars.....	223
Self-Closing Gate Hinges.....	224-225
Sliding Gate Components.....	263-266
Sliding Gate Locks & Keeps... ..	261-262
Specialist Locks.....	242
Swing Gate Accessories.....	223-225
Swing Gate Locks & Keeps....	252-257
Swivel Wheels.....	238-239
Telescopic Sliding Gate Kits.....	278
Toothed Rack.....	269
Track.....	263-266
Weld-In Locks & Accessories... ..	256-257
Wheels.....	238-239
Wheels for Sliding Gates.....	267-268

Gate Hardware
website section

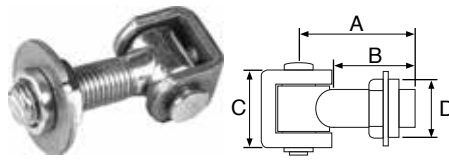


Short Threaded Hinge



Finish	Thread Ø	Code
	mm	
Zinc Plated	M18	0515113
Zinc Plated	M22	0515114
Zinc Plated	M27	0515115
Galvanised	M18	0515B432
Galvanised	M22	0515B435

Adjustable Hinge



Thread Ø	A	B	C	D	Code
mm	mm	mm	mm	mm	
M16	76	56	38	25	0515101
M20	76	56	38	30	0584104000
M24	86	60	50	35	0584204000

Captive washer for easy adjustment. Galvanised.

Adjustable Hinge



Thread Ø	A	B	Code
M20	40	60	0515161
M24	45	45	0515162

Galvanised.

Superhinge

Low friction



Max Gate Weight (per pair) kg	Thread mm	Code
300	M20 x 125	0515S181
450	M24 x 150	0515S251
900	M30 x 200	0515S301

- Brass bearings
- Low friction, ideal for use with automated gates
- One pair of hinges will support gates from 300kg (150kg per hinge) to 900kg (450kg per hinge)

Corner Mount Superhinge

Low friction



Max Gate Weight (per pair) kg	Thread mm	Code
300	M20 x 125	0515S181C
400	M24 x 150	0515S251C
800	M30 x 200	0515S301C

- Brass bearings
- Low friction, ideal for use with automated gates
- One pair of hinges will support gates from 300kg (150kg per hinge) to 800kg (400kg per hinge)

Locinox Adjustable Hinge

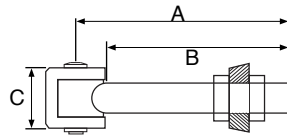
3 way - Galvanised



Code
0515GBM35

- 180° hinge for metal and aluminium gates
- Reversible for left/right swinging gates
- Adjustable height and vertical alignment
- Quick fix

Adjustable Hinge



Thread Ø	A	B	C	Code
mm	mm	mm	mm	
M20	165	140	40	0584304000
M24	170	145	48	0584404000

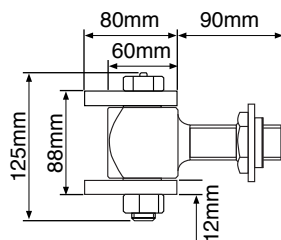
Galvanised.

Long Threaded Hinge



Finish	Thread Ø mm	Code
Zinc Plated	M18	0515102
Zinc Plated	M22	0515103
Galvanised	M18	0515B430
Galvanised	M22	0515B433

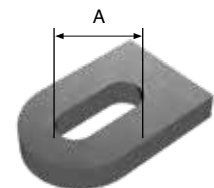
Heavy Duty Hinge



Thread Ø	Adjustable From mm	To Suit Gate kg	Code
M36	55 - 90	600	0515GBM9

Will support up to 600kg per pair. Galvanised.

Slotted Lug With Rounded End



↗	↔	✂	A	⚖	Code
mm	mm	mm	mm	kg	
50	75	12	17.0 x 42	0.22	078016
50	75	12	22.0 x 42	0.25	078019
60	75	12	26.5 x 42	0.40	078025

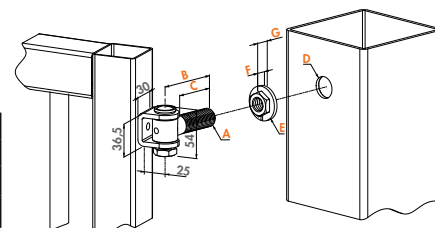
Locinox Adjustable Hinge

With adjustable welding nut



- 90° opening
- Zinc plated adjustable nut
- Hot-dipped galvanised
- Captive washer for easy adjustment

To Suit Gate	A	B	C	D	E	F	G	Code
kg	mm	mm	mm	mm	mm	mm	mm	
150	M16	65	47	Ø 26	Ø 38	10	14.5	0515GBM30
150	M16	110	92	Ø 26	Ø 38	10	14.5	0515GBM31
150	M16	150	132	Ø 26	Ø 38	10	14.5	0515GBM32
300	M20	67	45	Ø 32	Ø 46	11	17.5	0515GBM33
300	M20	150	128	Ø 32	Ø 46	11	17.5	0515GBM34



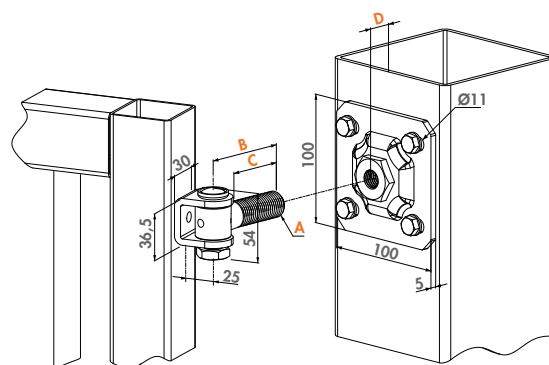
Locinox Adjustable Hinge

With adjustable steel wall plate & adjustable nut



- 90° opening
- Zinc plated adjustable nut
- Self colour ear plate for welding
- Hot dipped galvanised wall plate
- Captive washer for easy adjustment

To Suit Gate	A	B	C	D	Code
kg	mm	mm	mm	mm	
150	M16	65	47	19	0515GBM40
150	M16	110	92	19	0515GBM41
150	M16	150	132	19	0515GBM42
300	M20	67	45	20	0515GBM43
300	M20	150	128	20	0515GBM44



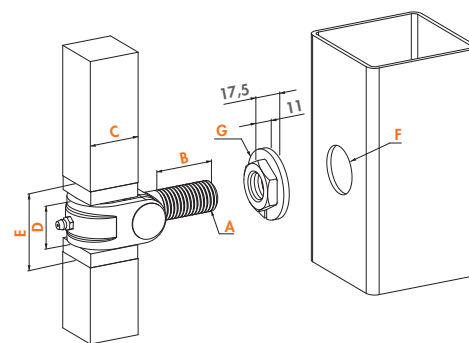
Locinox Strap Hinge Set

With captive washer



- Self colour weld-in base
- Zinc plated adjustable nut
- Hot-dip galvanised clamp hinge with stainless steel bolt
- Connection block
- Captive washer for easy adjustment

To Suit Gate	A	B	C	D	E	F	G	Code
kg	mm	mm	mm	mm	mm	mm	mm	
150	M20	40	35	29	52	Ø 32	Ø 46	0515GBM50
150	M24	45	40	34	57	Ø 35	Ø 50	0515GBM51
150	M27	60	50	39	62	Ø 38	Ø 53	0515GBM52



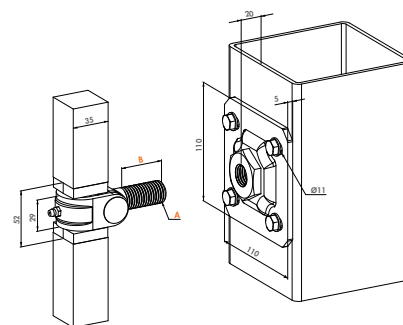
Locinox Hinge Set

With wall plate



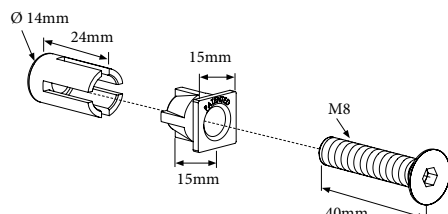
- Self colour weld-in base
- Hot-dip galvanised wall plate & clamp hinge with stainless steel bolt
- Connection block

To Suit Gate	A	B	Code
kg	mm	mm	
300	M20	40	0515GBM60



Quick-Fix Mounting Bolt

(patented)



- A strong, fast solution for fixings plates to RHS sections
- 1000kg pull-resistance
- Sold per pair

Code
051LQF

Steel

Wrought Iron Components

Gate Hardware

Sliding Door Gear

Gate Automation

Mesh

Decking & Subframe

Flooring & Stair Treads

Handrailing

Fencing

Fixings

Locinox Excentro

Hinge set



- Adjustable for slopes from 2 - 35°
- 180° opening & closing angle
- For left & right hand gates
- Maximum gate weight 150kg
- Maximum gate width 1.5m
- Hot-dip galvanised hinge with stainless steel components
- For use with Locinox Rhino self-closing gate hinge. See page 230.



Code

0515EXC16

2 Way Adjustable Hinge

To allow 180° opening



Thread Ø mm	Code
M16	0515110
M18	0515116
M20	0515111
M22	0515117

Galvanised screw and pin.

2 Way Adjustable Hinge

180° opening with 2 way adjustment



Thread Ø mm	Code
M18	0515GBM18
M20	0515GBM20
M22	0515GBM22

Galvanised.

Locinox 4 Way Adjustable Hinge

To allow 180° opening



To Suit Gate kg	Thread Ø mm	Code
100	M12	0515GBM3
200	M16	0515GBM5
400	M20	0515GBM4

Galvanised eyebolt & grip. 22mm adjustment in height. Includes lug.

Hinge

With fixing plate

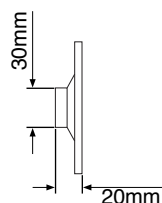
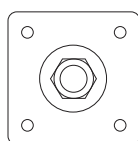


Thread Ø mm	Welded Plate mm	Code
M18	90 x 90 x 4	0515140
M22	110 x 110 x 5	0515141

Zinc plated.

Adjustable Hinge

With fixing plate



Thread Ø mm	Plate mm	Code
M20	90 x 90 x 5	0584504000

Ø 9mm fixing holes.

Locinox Adjustable Nut

Captive nut



To Suit mm	Ø mm	A mm	B mm	Code
M16	38	15.5	10.5	0515BM16
M20	46	17.5	11.0	0515BM20
M24	50	17.5	11.0	0515BM24
M27	53	17.5	11.0	0515BM27

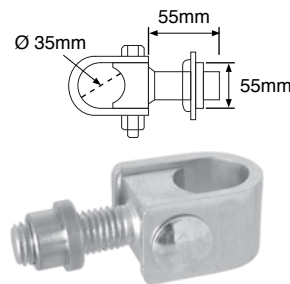


Strap Hinge

With fixing plate



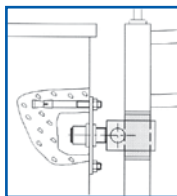
Strap Hinge



Finish	Thread Ø mm	Ø mm	Plate mm	Code
Zinc Plated	M18	30	90 x 90 x 4	0515134
Zinc Plated	M22	35	110 x 110 x 5	0515135
Zinc Plated	M27	40	130 x 130 x 5	0515136
Premium				
Galvanised	M22	35	110 x 110 x 5	0515B24122
Galvanised	M27	40	130 x 130 x 5	0515B24127

Finish	Thread Ø mm	Ø mm	Code
Galvanised	M20	30	0584904000
Galvanised	M24	35	0585104000
Premium			
Galvanised	M18	30	0515B24318
Galvanised	M22	35	0515B24322
Galvanised	M27	40	0515B24327

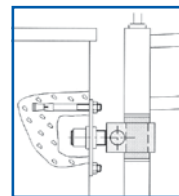
Hinge Pin



Ø mm	For RHS mm	Code
30	30 x 3	0515146
35	35 x 3	0515147
40	40 x 3	0515148

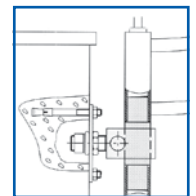
Connection Pin

Suitable for strap hinge



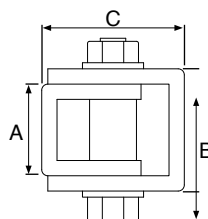
Ø mm	For SHS mm	Code
30	35 x 35	0585004000
35	40 x 40	0585204000
40	50 x 50	0515B24727

Hinge Pin & Upper Guide



Ø mm	For RHS mm	Code
24	30 x 3	0515143
29	35 x 3	0515144
34	40 x 3	0515145

Adjustable Hinge



A mm	B mm	C mm	D mm	Code
45	60	64 - 70	35	0583504000

Fixing Plate

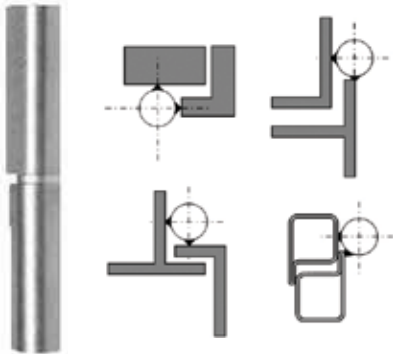
For adjustable hinge



Plate mm	Ø mm	Code
120	20	0585504000
120	24	0585604000

Universal Hinge

Brass washer



mm	Brass Washer
60	05GAH60
80	05GAH80
100	05GAH100
120	05GAH120
140	05GAH140
160	05GAH160
180	05GAH180

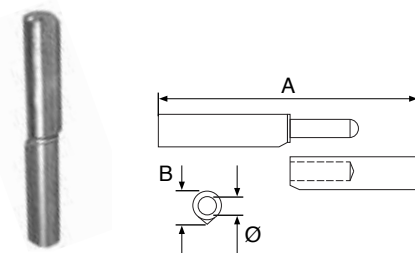
mm	Stainless Steel
80	05GAH80S
100	05GAH100S
120	05GAH120S

mm	Ball Bearing Washer
100	05GAH100BB*
160	05GAH160BB*
180	05GAH180BB*

*Ball bearing.

Universal Hinge

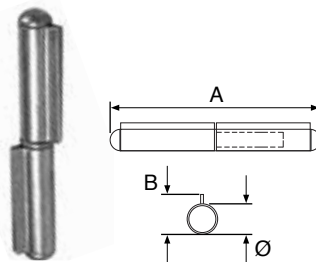
BZP washer



A mm	B mm	Pin Ø mm	Code
40	12	10	0581004000
60	12	10	0581104000
80	14	12	0581204000
120	18	16	0581404000
140	18	16	0581504000
160	23	20	0581604000
180	25	22	0581704000
200	25	22	0581804000

Universal Hinge

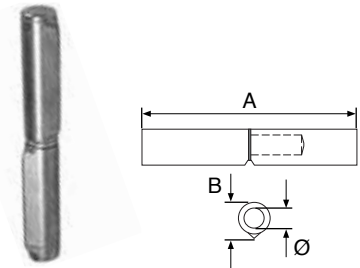
BZP pin & washer



A mm	B mm	Pin Ø mm	Code
60	17.0	12.0	0580304000
80	17.0	12.0	051515101
100	19.0	13.5	0580504000
120	20.0	14.5	0580604000
140	21.0	16.0	051515102
170	23.5	17.0	0580804000
200	26.5	20.0	0580904000

Universal Hinge

Steel with ball bearing washer



A mm	B mm	Pin Ø mm	Code
150	25	22	0581904000
140	20	18	0582004000

Strong Butt Hinge



Height mm	Code
75	0515B75
100	0515B100
150	0515B150

Pair. No holes.

Extra Strong Butt Hinge

For heavy duty industrial use



Height mm	Code
75	0515BS75
100	0515BS100
125	0515BS125
150	0515BS150

Double Backflap Hinge



Height mm	Length mm	Code
50	100	0515B50100
50	150	0515B50150
75	200	0515B75200

Pair. Self colour.

Piano Hinge



Height mm	Length mm	Code
75	1830	0515P7518

Thickness 1.15mm. BZP-E/Galvanised.

Fixed Gap Self-Closing Hinge



Size mm	Max Gate Weight Pair kg	Code (Pair)
35 / 35	60	0596404000

Polymer. Sold as pair.

Grease Spray



ml	Code
400	2911

Suitable for various hardware.

Piano Hinge



Height mm	Length mm	Code
50	1800	0515P5018

No holes. Thickness 2mm. Mild steel.

Unsprung Hinge

Suitable for 25 - 50mm posts



Height mm	Width mm	Code
90	70	09FA30
110	75	09FA31

Sold per pair. Polymer.

Heavy Reversible Hinge



Width mm	Code
400	09FA595

BZP.

Scotch Tee Hinge



Width mm	Code
450	09FA589

Sold per pair. Galvanised.

Heavy Reversible Hinge



Width mm	Code
300	051571212
450	051571218
600	051571224

Galvanised.

Cranked Bands & Hook

On plate



Width mm	Pin Ø mm	Code
250	12	09FA573
300	12	09FA574
600	16	09FA578

Galvanised.



Technical documents are available on our website:
www.fhbrundle.co.uk

Locinox U-Safe

Safety cable for gates



Maximum Gate Weight kg	Wire Ø mm	Code
500	5	0515H012

Overall length 300mm. Stainless steel wire rope with 1mm thick protective transparent sleeve. For use with quick-fix mounting bolt on page 213.

Locinox B-Safe

Safety cable for gates



Maximum Gate Weight kg	Wire Ø mm	Code
500	4	0515H013

Overall length 220mm. Stainless steel wire rope with 1mm thick protective transparent sleeve. For use with quick-fix mounting bolt on page 213.

Safety Cable



Bar Length mm	Code
400	0515H006
500	0515H005

920kg breaking strain.

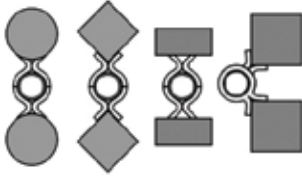
Gate Restrainer Cable



Maximum Gate Weight kg	Wire Ø mm	Code
260	3	0515H007
500	4	0515H008

Overall length 320mm. Stainless steel wire rope and end stops with plastic cover bushes.

Flag Hinges



Height mm	Width mm	Pin Ø mm	Code
90	28	20	0582404000
180	28	20	0582704000

With brass washer.



Height mm	Width mm	Pin Ø mm	Code
180	28	20	0515151180

With brass washer.



Height mm	Width mm	Pin Ø mm	Code
90	28	20	0582504000
180	28	20	0582604000

With brass washer.



Height mm	Width mm	Pin Ø mm	Code
180	28	20	0582904000

With brass washer.



Width mm	Code
60	0515FLAG60
80	0515FLAG80
100	0515FLAG100
120	0515FLAG120
140	0515FLAG140
Stainless Steel	
80	0515FLAG80S
100	0515FLAG100S

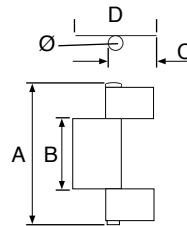
In-Line.



Width mm	Code
140	05151150R
140	05151150L

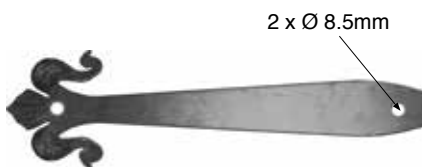
Offset.

Pin Ø mm	A mm	B mm	C mm	D mm	Code
	15	110	50	60	
18	140	70	56	95	0583104000
20	170	80	65	110	0583204000
22	200	100	69	115	0583304000



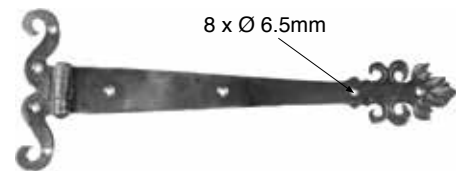
Full range of fixings from page 704.

Decorative Hinges



Height mm	Width mm	Code
83	320	0547502000

Self colour.



Height mm	Width mm	Code
135	360	0541802000
185	490	0541902000
225	628	0542002000

Self colour.

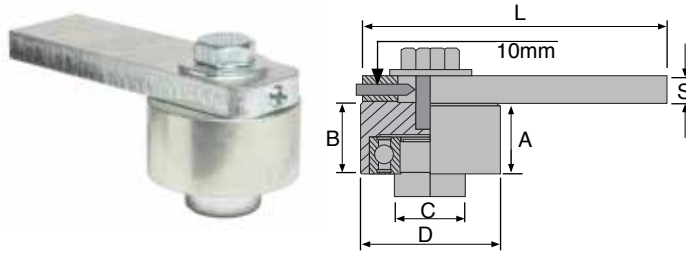


You can order online 24 hours a day, 7 days a week, scan here or visit www.fhbrundle.co.uk

Pivot Hinges

Top Pivot Hinge

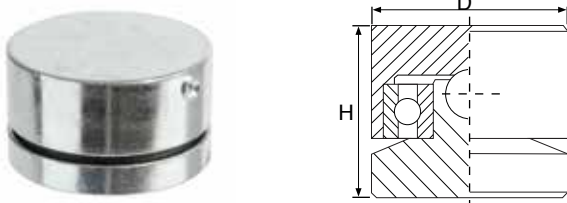
With ball bearings. Weld fix



A mm	B mm	C mm	D mm	G mm	L mm	S mm	Code
30	21	25	40	25 - 77	90	8	051526040
45	31	30	60	35 - 112	130	12	051526060
5+	32	35	70	40 - 119	140	12	051526070

Bottom Pivot Hinge

With ball bearings. Weld fix

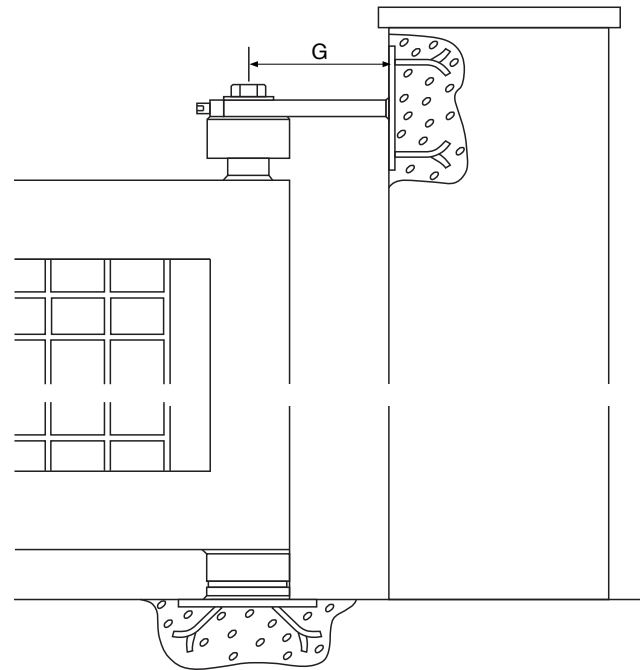


D mm	H mm	Code
40	35	051526540
60	35	051526560
70	40	051526570

TIP: Ensure that both top and bottom covers are welded round their entire circumference.

Pivot Hinge

Installation guide



1m Gate	2m Gate	3m Gate	Code
300kg	130kg	100kg	051526040
500kg	250kg	180kg	051526060
1125kg	550kg	375kg	051526070

Max. suggested gate weights by model (If the weight of the gate is not evenly distributed, the safe weight is reduced).

The above pivot hinges are ideal for use with CAME frog underground gate motors on page 292.

Ball Bearing Hinge

Set in galvanised steel



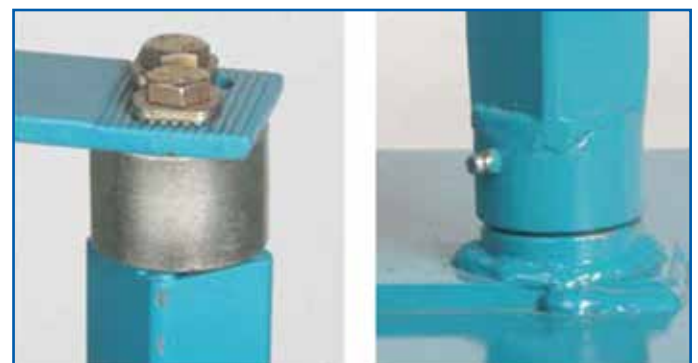
To Suit RHS mm	Max Weight Load kg	Code
50 x 50	500	0585704000

Ball Bearing Hinge

Set in galvanised steel



To Suit RHS mm	Max Weight Load kg	Code
50 x 50	500	0593104000



Steel

Wrought Iron Components

Gate Hardware

Sliding Door Gear

Gate Automation

Mesh

Decking & Subframe

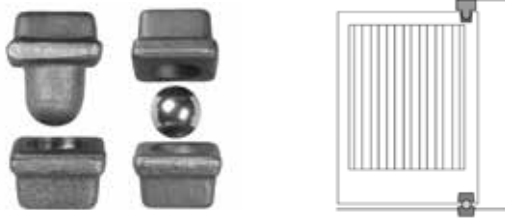
Flooring & Stair Treads

Handrailing

Fencing

Fixings

Pivot Hinge With Sphere



To Suit RHS ■ mm	Code
40	0590804000

Adjustable Gate Lug

For use with threaded hinges



To Suit	Code
M12	058829
M16	058830
M20	058831

Hinge Plate



Weight	H mm	L mm	D mm	Code
Light Duty	15	60	60	0515122
Medium Duty	20	70	70	0515123
Heavy Duty	20	80	80	0515124

Pin



Weight	Height mm	Ø mm	Code
Light Duty	89	20	0515128
Medium Duty	98	23	0515129

Plate



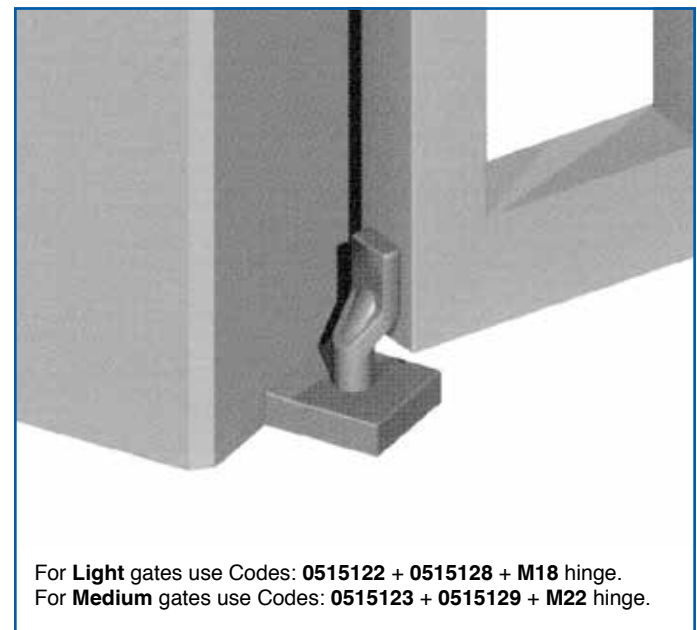
Ø mm	Code
20	051525530

55mm from centre of hole to back plate. Galvanised.

Lower Guide



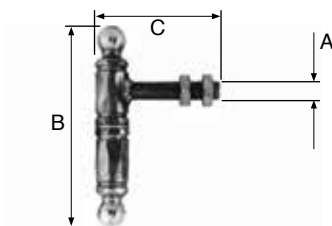
Pin Ø mm	For RHS mm	Code
19	30 x 30 x 3	0515149
27	40 x 40 x 3	0515151



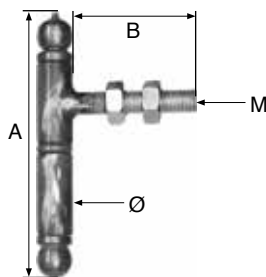
Ø mm	A mm	Code
20	100	051515107
24	120	051515108
30	145	051515109

Ø mm	A mm	Code
20	100	051516302

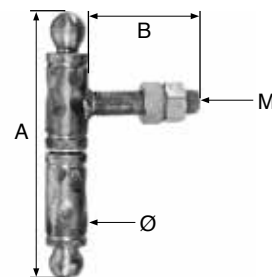
Full range of self-closing hinges from page 224.



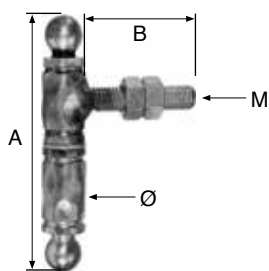
A mm	B mm	C mm	Code
M18	175	110	051518114
M22	230	120	051518113



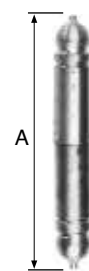
Ø mm	A mm	B mm	M mm	Code
15	100	70	12	0514704000
20	150	80	14	0514804000
30	200	90	18	0514904000



Ø mm	A mm	B mm	M mm	Code
35	230	95	22	0511304000

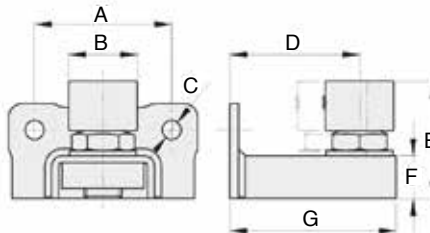


Ø mm	A mm	B mm	M mm	Code
30	175	80	18	0511404000



Ø mm	A mm	Code
15	100	0510004000
20	150	0510104000
30	200	0510204000

Adjustable Base Plate Pivot



(A) mm	(B) mm	(C) mm	(D) mm	(E) mm	(F) mm	(G) mm	Code
80	40	11	55-75	68.5	25	97	0515GBM77
90	50	13	65-85	79.5	25	114	0515GBM76

Heavy Duty Hinge For Window Grilles

To suit 30 x 30 x 2mm RHS



Code	05HCA30
------	---------



Code	05HCB30
------	---------



Code	05HCM30
------	---------

With spring loaded bolt.

RHS To Suit The Above Hinges

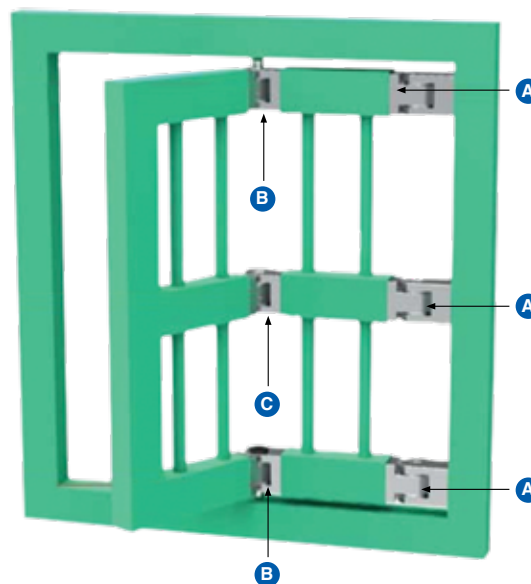


Hollow Tube mm	Code
30 x 30 x 2.0	3005303023

Length 3m.



Scan here to order now.



Steel

Wrought Iron Components

Gate Hardware

Sliding Door Gear

Gate Automation

Mesh

Decking & Subframe

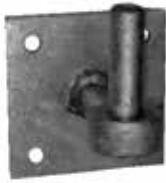
Flooring & Stair Treads

Handrailing

Fencing

Fixings

Hinge Hooks Square Plate



Pin Ø mm	Plate mm	Code
20	■ 100	09FA548

Epoxy Black.

Narrow Plate



Pin Ø mm	Size mm	Code
12	130 x 36	072021
16	165 x 47	072022
20	205 x 50	072023

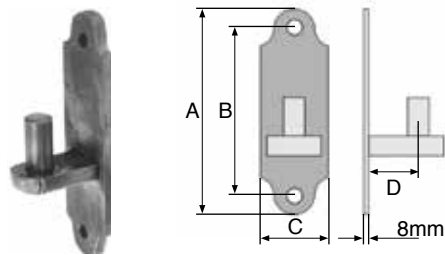
Galvanised.

Decorative



Pin Ø mm	Height mm	Width mm	Code
12	135	58	0515004013

Self colour.



Pin Ø mm	A mm	B mm	C mm	D mm	Code
12	130	110	30	17.5	0514104013
16	150	120	40	25.0	0514104015
20	160	120	50	30.0	0514104016

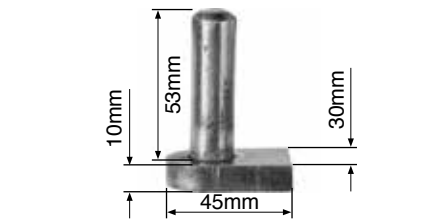
Galvanised.



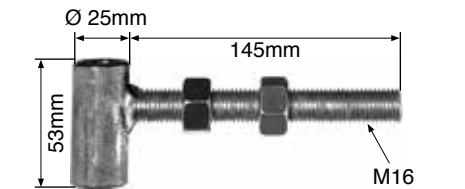
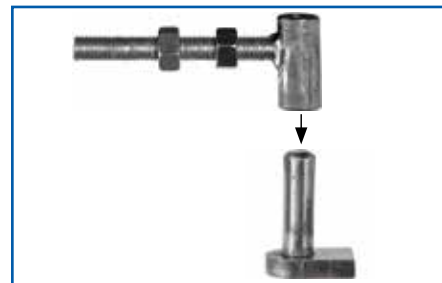
To Suit Ø mm	Code
20	09FA556

Epoxy black.

For our range of self closing hinges see from page 224.



Pin Ø mm	Code
16	0514504015



To Suit Ø mm	Code
16	0514404015

Galvanised.

Hook To Drive



Pin Ø mm	Length mm	Code
20	215	09FA15

Galvanised.

Hook To Bolt

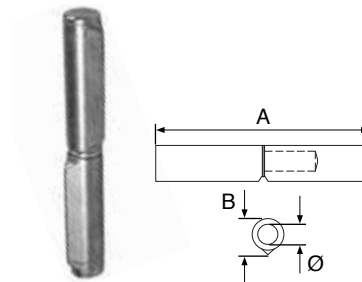


Pin Ø mm	To Suit Post mm	Length mm	Code
20	100 - 250	325	09FA16

Galvanised.

Universal Hinge

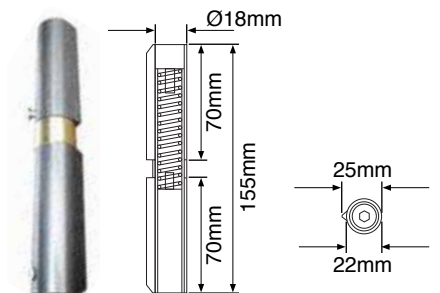
Steel pin with ball bearing washer



Pin Ø mm	A mm	B mm	Code
	22	150	

Self Closer Hinge

Weldable & adjustable



Max Gate Weight kg	Code
60	05GC14

Steel pin & brass ring with spring. For use with Universal Hinge Code: 0581904000.



Adjustable Gate Eyes

For metal gates



To Suit Pin Ø mm	A mm	Code
10	M10 x 85	0700104
12	M12 x 115	0700124
12	M12 x 165	0700126
16	M16 x 119	0700164
16	M16 x 165	0700166
20	M20 x 165	0700206
22	M22 x 240	080521
20	M24 x 275	07002010
25	M24 x 175	0700246
25	M24 x 275	07002410
25	M24 x 325	07002412

To Suit Pin Ø mm	A mm	Code
12	M12 x 115	0702124
16	M16 x 119	0702164
20	M20 x 165	0702206
30	M30 x 195	0700306
32	M30 x 245	0700308

Galvanised.



Gate Eyes To Weld On

For welding on to flat section metal posts



To Suit Ø mm	Size mm	Code
10	30 x 40 x 7	071010
12	30 x 40 x 12	071012
16	40 x 60 x 15	071016
20	45 x 60 x 10	071019
22	60 x 16 x 38	080173
25	70 x 45 x 20	071025
32	65 x 85 x 30	071030

Mild steel.

Slotted Lug With Rounded End



Slot mm	Size mm	Code
17.0 x 42	50 x 75 x 12	078016
22.0 x 42	50 x 75 x 12	078019
26.5 x 42	60 x 75 x 12	078025

BZP.

Decorative Gate Hinge



Thread Ø mm	Code
M12	070212

Mild steel.

Extra Large Gate Hook

For welding on to flat section metal posts



Pin Ø mm	Code
25	0515604017
30	0515704038
32	072030

Mild steel.

Gate Hooks To Weld On

For welding on to flat section metal posts



Pin Ø mm	Size of Flat Section mm	Code
10	30 x 40 x 10	072010
12	30 x 40 x 12	072012
16	40 x 60 x 15	072016
20	40 x 60 x 20	072019
22	45 x 60 x 20	080519
25	50 x 70 x 20	072025

Mild steel.

Security Collars

Deterrent for gate removal.



To Suit Pin Ø mm	Code
10	073010
12	073012
16	073016
20	073019

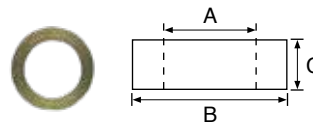
Permanent Security Collars



To Suit Pin Ø mm	Code
12	076012
16	076016
20	076019

Push on. Sheradised.

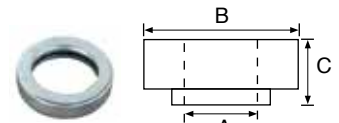
Washers



(A) mm	(B) mm	(C) mm	Code
12	20	2.7	05BW12
20	28	4.0	05BW20

Brass.

Bearings



(A) mm	(B) mm	(C) mm	Code
12	20	6.5	05ZB12
20	28	7.0	05ZB20

Zinc plated. Galvanised.

BZP.

Steel

Wrought Iron Components

Gate Hardware

Sliding Door Gear

Gate Automation

Mesh

Decking & Subframe

Flooring & Stair Treads

Handrailing

Fencing

Fixings

- Steel
- Wrought Iron
- Gate Hardware
- Sliding Door Gear
- Gate Automation
- Mesh
- Decking & Subframe
- Flooring & Stair Treads
- Handrailing
- Fencing
- Fixings



Gates of different sizes and weights incur different loads, so the ability to adjust tension quickly is critical, especially in child safety areas. The unique, spring-loaded adjuster in the hinges allows quick, incremental tension adjustment using only a screwdriver - it's so easy!



Fully adjustable.

Self-Closing Hinge

With 2 legs



Size mm	Max Gate Weight Pair kg	Code (Pair)
23 / 23	25	09FA20

Polymer. Sold as pair.

Fixed Gap Self-Closing Hinge



Size mm	Max Gate Weight Pair kg	Code (Pair)
35 / 35	60	0596404000

Polymer. Sold as pair.

Self-Closing Hinge

For wooden or metal gates



Size mm	Max Gate Weight Pair kg	Code (Pair)
50 / 50	60	09FA22
75 / 75	60	09FA23

Polymer. Sold as pair.

Mini Multi-Adjust

For square frame metal gates



Size mm	Max Gate Weight Pair kg	Code (Pair)
25 / 40	25	09FA35

Polymer. Sold as pair.

Fixed Spring Self-Closing Hinge



Height mm	Width mm	Code (Single)
110	75	09FA38

Suitable for 40 - 75mm posts. Polymer. Sold as single.

Heavy Duty Self-Closing Hinge



Size mm	Max Gate Weight Pair kg	Code (Single)
50 - 73	60	09FA39

To suit Ø 50mm round post. Polymer. Sold as single.



Free delivery on all orders over £150.00

Self-Closing Hinge

With legs



Height mm	Width mm	Code (Single)
149	89	05GC12

To suit 40 - 75mm post. Aluminium/black. Sold as single.

Magna-Latch Top Pull Lockable

6 pin lock



Height mm	Code (Single)
520	09FA42

Keyed alike. Polymer. Sold as single.

Locinox Serval 180° Spring Hinge

For square profiles



H x W mm	Max Gate Weight Pair kg	Code (Single)
142 x 118	60	05SSDK

Sold as single.

Aluminium Self-Closing Hinge

Wall or post mount



Height mm	Max Gate Weight Pair kg	Code (Single)
133	20	09FA40

Aluminium. Sold as single.



Locinox Serval 180° Spring Hinge

For round profiles



H x W mm	Max Gate Weight Pair kg	Code (Single)
142 x 118	60	05SSDR

Sold as single.

Regular Hinge

For metal gates



Height mm	Width mm	Max Gate Weight kg	Code (Single)
95	74	30	09FA41

Polymer. Sold as single.

Plain Pivoting Hinge

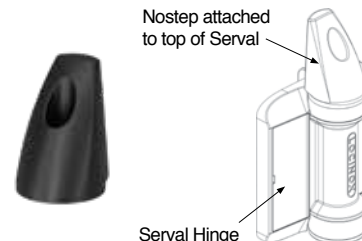


Height mm	Width mm	Max Gate Weight kg	Code (Single)
110	70	25	09FA43

Polymer. Sold as single.

Locinox Nostep Anti Climb Device

For use with Serval hinges



Code
05NSTP

Installed on top of the Serval spring hinge to avoid people using Serval as a step to climb over the gate. Fibreglass reinforced PA.



Locinox Guardima Magna Latch Lockable

30mm horizontal & vertical adjustment



Height mm	Code (Single)
635	09FA44



You can order online 24 hours a day, 7 days a week, scan here or visit www.fhbrundle.co.uk

- Steel
- Wrought Iron
- Gate Hardware
- Sliding Door Gear
- Gate Automation
- Mesh
- Decking & Subframe
- Flooring & Stair Treads
- Handrailing
- Fencing
- Fixings



Magnetic Latch

Glass to glass



To Suit Glass mm	Code
8 - 12	1806517

No holes in glass required, screws compress plate onto glass. Stainless steel Grade 316.

Self-Closing Hinge

Glass to glass



To Suit Glass mm	Code
8 - 12	1806515

Sold in pairs. Stainless steel Grade 316.

Magnetic Latch

Glass to post



To Suit Glass mm	Code
8 - 12	1806518C

Stainless steel Grade 316.

Self-Closing Hinge

Glass to post



To Suit Glass mm	Code
8 - 12	1806516C

Sold in pairs. Stainless steel Grade 316.

Magnetic Latch

Glass to square post



To Suit Glass mm	Code
8 - 12	1806518F

Stainless steel Grade 316.

Self-Closing Hinge

Glass to square post



To Suit Glass mm	Code
8 - 10	1806516F

Sold in pairs. Stainless steel Grade 316.

Self-Closing Glass Gate Hinge



Finish	Ø mm	Code
Stainless Steel	48.3	05GC09

For fixing 8 and 10mm glass weighing up to 25kg on to round posts. Supplied with brushed stainless hinge covers. Glass needs to be pre-drilled. Sold in pairs. Polymer.

Self-Closing Safety Gate Hinge



Description	Code
For stainless tube	18SGH

Stainless steel Grade 304.

For glass panels visit www.fhbrundle.co.uk

Glass Spigots

Round Spigot



Glass mm	Code
10 - 21.5	1822007

Stainless steel Duplex 2205.

Cover Plate

To suit round spigot



Code
1822007CP

Stainless steel Duplex 2205.

Square Spigot



Glass mm	Code
10 - 21.5	1822008

Stainless steel Duplex 2205.

Cover Plate

To suit square spigot



Code
1822008CP

Stainless steel Duplex 2205.

Weld Fix Gas Gate Closer



Max Gate Size m	Max Gate Weight kg	Code
H 2.5 x W 1.2	80	05GC03B

For adjustment tool use Code: **05GC02**.

Screw Fix Gas Gate Closer



Max Gate Size m	Max Gate Weight kg	Code
H 2.5 x W 1.2	80	05GC03W

For adjustment tool use Code: **05GC02**.

APSW Hydraulic Gate Closer & Top Hinge



Code
05GC05W

Suitable for gates up to 150kg. No power required with fully adjustable closing speed, main closing speed and latching speed adjustments. Vandal resistant.

Gas Gate Closer



Post Bracket Gate Bracket



To Suit Gate Width Up To 750mm	Code
Gate Closer	05GSG19
Post Bracket	05GSG19GP8
Gate Bracket	05GSG19GC8
To Suit Gate Width Over 750mm	Code
Gate Closer	05GSG22
Post Bracket	05GSG22GP10
Gate Bracket	05GSG22GC10

Gas Gate Closer



Code
05GC2000

For self-closing personnel gates up to 1 metre wide/50kg. 2 speeds for closing and latching and a "hold open" facility. Powder coated black steel casing.

Hinge Kit For Safety Gate

Universal for welding to steel sections



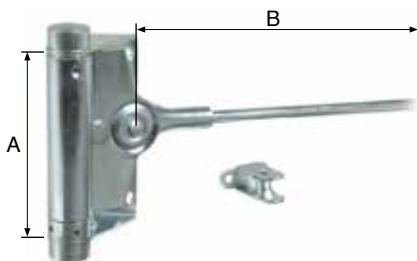
Material	Code
Mild Steel	25SGHU
SS Grade 304	18SGH

Ready made self-closing gates available. See page 420.



Technical documents are available on our website: www.fhbrundle.co.uk

Spring Gate Closer



Max Gate Weight kg	(A) mm	(B) mm	Code
40	100	235	05GC17
60	120	235	05GC18

Gate Return Springs

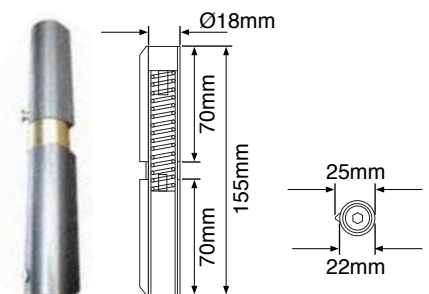


Finish	Size mm	Code
Epoxy Black	200	051576108
Galvanised	200	051576208
Epoxy Black	250	051576110
Galvanised	250	051576210

Tension adjustable and suitable for left or right hand use on domestic doors and gates.

Self Closer Hinge

Weldable & adjustable



Max Gate Weight kg	Code
60	05GC14

Steel pin & brass ring with spring. For use with Universal Hinge Code: **0581904000**.

Adjustable Self-Closing Gate Hinges



Locinox Interio Invisible Built-In Hydraulic Gate Closer

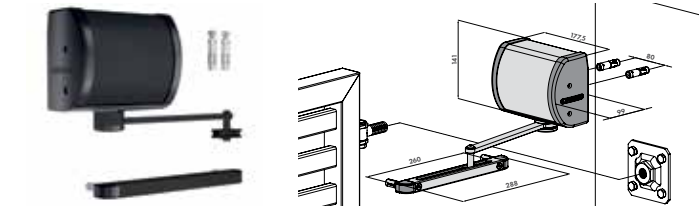


For box sections please order ERW square hollow section \square 50 x 2mm code: **300850502**, hammered box section \square 50 x 2mm code: **0500030276**.

- To suit 50 or 60mm box section
- Powder coated aluminium housing
- Self-closing up to 125°
- Suitable for left & right hand gates
- Easy installation with Quick-Fix
- Adjustable closing speed & final snap
- Maximum gate weight 150kg
- Maximum gate width 1.5m
- Installation video available online

Code
05GC20

Locinox Panther Hydraulic Gate Closer



- Quality gate closer from Locinox
- Adjustable closing speed & final snap
- Scratch resistant and corrosion free anodized aluminium housing
- For left & right hand gates
- Suitable for post or wall mounting
- Quick fix and wall anchors included
- Max opening 120°
- Maximum gate weight 150kg
- Maximum gate width 1.5m
- Installation video available online

Code
05GC21

APSW Hydraulic Gate Closer & Top Hinge



- Suitable for gates up to 120kg
- The closer is unobtrusive and highly vandal resistant
- Fully adjustable ROSPA compliant closing speed
- Top hinge is fully adjustable for post installation adjustments

Code
05GC05

Locinox Samson 2 Gate Closer



- Quality gate closer from Locinox
- Adjustable closing speed and closing pressure
- Anti-theft and vandal proof fixings supplied
- Fast and easy fixing
- Max opening 150° dependant on hinge situation
- Maximum gate weight 150kg
- Maximum gate width 2m

Code
05GC06

Locinox Verticlose 2 Gate Closer



- Quality gate closer from Locinox
- Adjustable closing speed and closing pressure
- For square profiles and wall fixing 180° or 90° mountings
- For left & right hand gates
- Easy mounting with Quick-Fix
- Maximum gate weight 150kg
- Maximum gate width 1.5m

Code
05GC19

Locinox Gate Hinge 40

For use with 40 x 40 x 2.5mm RHS



Max Gate Width m	Max Gate Weight kg	Code
1.3	60	05GC40

Top and bottom hinge supplied.

Hydraulic Self-Closing Hinge

Designed for single/double action gates fitted with or without magnetic locks



Max Gate Width m	Max Gate Weight kg	Code
1	120	051557570510

Closing speed adjustment. Left or right hand opening. With weld-in collar.

Compact, 2-Way 90° Hinge

Interchangeable with Interio gate closer



Max Gate Width m	Max Gate Weight kg	Code
2.5	120	05NHGE

For use with 50 x 50mm gate frame. Top and bottom hinge supplied.



Tiger.



Mammoth.

Tiger Gate Closer
With Puma bottom hinge

Mammoth Gate Closer
With Dino bottom hinge

Mammoth-HD Gate Closer
With Raptor bottom hinge



- Self-closing with opening angle of 180°
- For left and right opening gates
- Easy mounting with Quick-Fix
- For gates up to 75kg max and 1.1m width
- Bottom hinge included
- Conforms to RoSPA regulations

- Self-closing with opening angle of 180°
- Easy to open: max 15Nm of force
- Closing speed unaffected by temp. changes
- For left and right opening gates
- Easy mounting with Quick-Fix
- For gates up to 150kg max and 1.5m width
- Bottom hinge included
- To suit a minimum 40mm RHS

- Self-closing with opening angle of 180°
- Easy to open: max 32Nm of force
- Closing speed unaffected by temp. changes
- For left and right opening gates
- Easy mounting with Quick-Fix
- For gates up to 200kg max and 2m width
- Bottom hinge included
- To suit a minimum 40mm RHS

Colour	Code
Black	05GC16B
Silver	05GC16S

Colour	Code
Black	05GCMB
Silver	05GCMS

Colour	Code
Black	05GCMHDB
Silver	05GCMHDS



Lion Gate Closer

- Retro fit
- Self-closing with opening angle of 180°
- For left and right opening gates
- Easy mounting with Quick-Fix
- For gates up to 75kg max and 1.1m width
- Powder coated aluminium casing
- Adjustable force & closing speed



Colour	Code
Black	05GC17B
Silver	05GC17S



Rhino Gate Closer & Accessories

Rhino



- Self-closing with opening angle of 180°
- For left and right opening gates
- Easy mounting with Quick-Fix
- For gates up to 150kg max and 1.5m width
- Adjustable force & closing speed
- Conforms to RoSPA regulations

Colour	Code
Black	05GC18B
Silver	05GC18S

2 Way Adjustable Hinge



- 180° open/close angle with 2 way adjustment
- Hot dipped galvanised eyebolt & nut

Ø mm	Code
M18	0515GBM18
M20	0515GBM20

4 Way Adjustable Hinge



- 180° open/close angle with 2 way adjustment
- Hot dipped galvanised eyebolt & grip
- 20mm adjustability in height

Ø mm	Code
M16	0515GBM5
M20	0515GBM4



Slimstone 2 Keypad

- Integrated LED lighting
- IP68 rating water, dust & frost protection
- Stainless steel front plate & keys with aluminium housing
- Supplied with 2m connection cable
- Easy programming up to 100 codes
- Integrated relay (2 x NO, 2 x NC & 2 x COM)
- Quick-fix fixing

Code
05SKP2

Surface Mounted Electric Keep



- 300kg resistance to pressure on the latch bolt
- For left or right opening gates
- Suitable for 40 - 60mm box sections
- 12 - 24V and AC/DC
- 15W power
- Quick-fix fixing

Type	Code
Fail Open	05LSAR
Fail Close	05LSAE

Surface Mounted Electric Security Keep



- 300kg resistance to pressure on the latch bolt
- For left or right opening gates
- Suitable for 40 - 60mm box sections
- 12 - 24V and AC/DC
- 15W power
- Quick-fix fixing

Type	Code
Fail Open	05LSHR
Fail Close	05LSHE

Surface Mounted Electric Strike



- 300kg resistance to pressure on the latch bolt
- For left or right opening gates
- Suitable for 40 - 60mm box sections
- 12 - 24V and AC/DC
- 15W power
- Quick-fix fixing

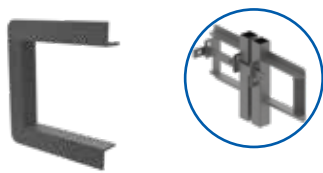
Type	Code
Fail Open	05LSFR
Fail Close	05LSFE

Suitable for Forty, Fifty & Sixty locks on page 254.



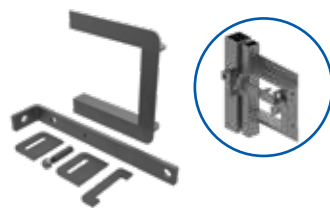
Frame

For use with double leaf gates



To Suit □ mm	Code
40 - 50	47F40

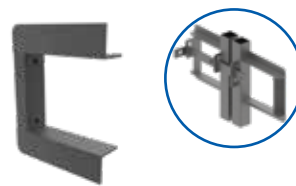
Latch



To Suit □ mm	Code
40 - 50	47L40

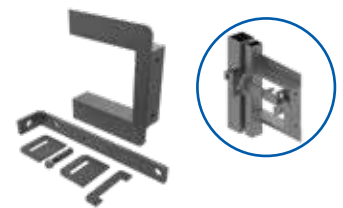
Frame

For use with double leaf gates



To Suit □ mm	Code
60+	47F60

Latch



To Suit □ mm	Code
60+	47L60

Latch Holder



W x H x D mm	Code
20 x 85 x 6	058812

Gate Latch



L x H x D mm	Code
80 x 25 x 6	058802
150 x 25 x 6	058803
185 x 25 x 6	058804

Ø 20mm hole.

Gate Catch



W x H x D mm	Code
23 x 54 x 6	058801

Reversible Catch



Code
05880101



Bolt On Gate Catch



Code
058826

Size: 125 x 25 x 45mm. Ø 12mm hole. Suits left and right opening.

Gate Catch with Back Plate



Code
058827

Size: 140 x 25 x 35mm. Ø 12mm hole. Suits left and right opening.

Reversible Gate Catch with Back



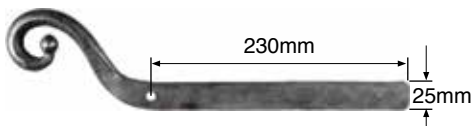
Code
058828

Size: 50 x 25 x 116mm. Ø 12mm hole.

Latches & Catches

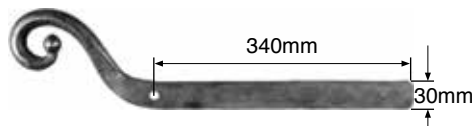


Steel



Height mm	Length mm	Code
85	360	0543804000

6mm thickness. Ø 9mm fixing hole.



Height mm	Length mm	Code
97	500	0543904000

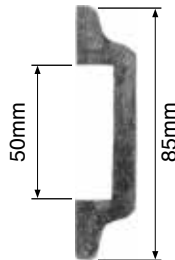
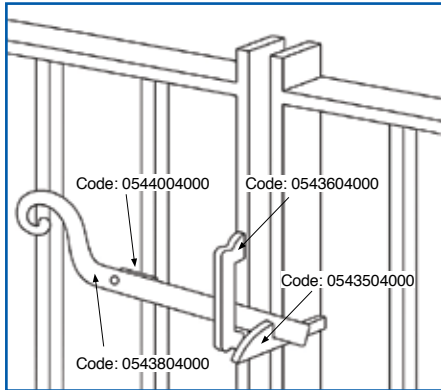
7mm thickness. Ø 9mm fixing hole.



Height mm	Length mm	Code
25	70	0543504000

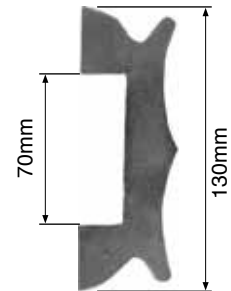
6mm thickness.

Wrought Iron Components



Height mm	Width mm	Code
85	20	0543604000

6mm thickness.



Height mm	Width mm	Code
130	45	0543704000

10mm thickness.

Gate Hardware

Sliding Door Gear

Gate Automation



Height mm	Width mm	Code
25	50	0544004000

6mm thickness. Ø 9mm hole.



Width mm	Code
40	0552603000

M8.

For our full range of dropbolts see page 236.

Mesh

Handle

For sliding latch



Code
47LH001

BZP.

Ring Gate Latch



Code
0516212

Painted black. Screws included.

Heavy Duty Suffolk Gate Latch



Code
09FA557

Galvanised.

Decking & Subframe

Flooring & Stair Treads

Handrailing

Keys

Metal

Plastic



Type	Code
Metal	05F011
Plastic	05F012

For use with codes 05F009 & 05F010.

LATCH

For metal door



Type	Material	Code
Bolt-on	Galvanised	05F010



Fencing

Fixings

Lokk Latch Deluxe

Key lockable gate latch enables gates to be operated both sides



Code
09FA24

Suitable for 150mm deep posts. Polymer.

Magna-Latch

General purpose magnetic gate latch



Code
09FA27

Non-lockable. Side Pull. Polymer.

Lockable Magna-Latch

General purpose magnetic gate latch



Code
09FA28

Lockable. Side Pull. Polymer.

Standard Lock Latch



Code
09FA36

Polymer.

Toggle Latch

Padlockable with padlock storage



Code
09FA32

Adjusts vertically & horizontally. Polymer.

Magnetic Latch

Key lockable gate latch enables gates to be operated both sides



Type	Code
Black	09FA33

Push/pull handle. Polymer.

Auto Gate Catch



Code
09FA559

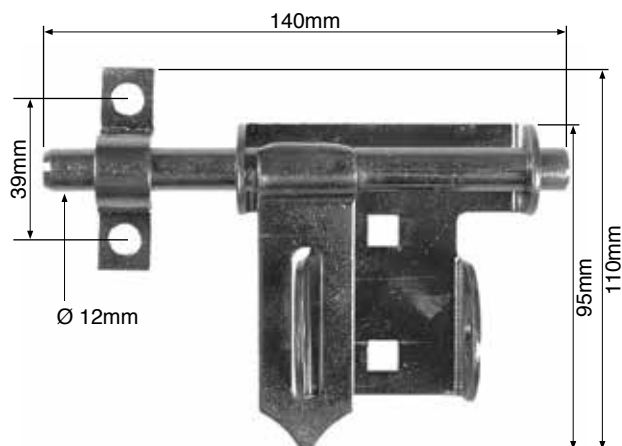
Galvanised.

Self-Locking Gate Catch



Code
09FA560

Galvanised.



Height mm	Width mm	Code
110	140	0578904000

Unpainted.

For our full range of padlocks & padbolts see page 234.

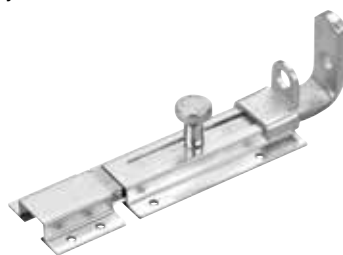
Steel
Wrought Iron
Gate Hardware
Sliding Door Gear
Gate Automation
Mesh
Decking & Subframe
Flooring & Stair Treads
Handrailing
Fencing
Fixings

Padbolt Light



Code
05PB285

Padbolt Heavy



Code
05PB286

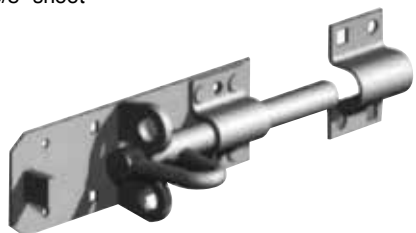
Shoot Bolt



H x W x D mm	Code
45 x 250 x 40	051602227

Support plate thickness 2mm.

Brenton PadBolt 5/8" shoot



Size mm	Finish	Code
150	Galvanised	05PB0206
150	E-Galvanised	05PB0206Z
200	Galvanised	05PB0208
200	E-Galvanised	05PB0208Z
250	Galvanised	05PB0210

Locking Bars, Bolt-On



Size inches (mm)	Finish	Code
8 (200)	Galvanised	051572208

Heavy Hasp & Staple



Size inches (mm)	Code
6 (150)	05157426

Brass Padlock For fold-down post



Code
05SP01PLK

Supplied with 2 keys.

Padlock



Code
53099

Supplied with 2 keys. Can be used with lock code: **080680**.

Spring Loaded Bolt For gates and doors



Code
05PB001

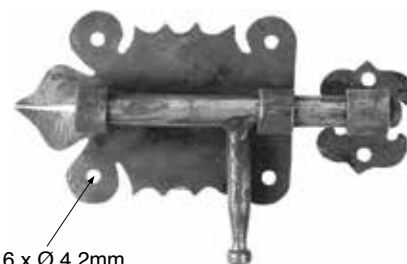
Zinc Plated Steel Padlock



Code
51PLK50L

Supplied with 3 keys. Suitable for Fortitude double leaf gates from page 632.

Decorative Bolt



6 x Ø 4.2mm

Height mm	Width mm	Code
60	90	0501808000

Self colour.



A	B	L	Code
mm			
10	22	150	05PB150

BZP.

Drop Bar

All approx 600mm long



Bar Ø mm	Code
12	058809
16	058810
20	058811

Drop Bar

Right facing



Bar Ø mm	Height mm	Width mm	Code
12	700	150	0530207013
16	700	160	0530207015
20	700	165	0530207016

Drop Bar

Left facing



Bar Ø mm	Height mm	Width mm	Code
12	700	150	0530307013
16	700	160	0530307015
20	700	165	0530307016

Drop Bar Holder

Fits all sizes of drop bar



L mm	Code
65	058808

Drop Bar Guide



Ø mm	Code
12	058805
16	058806
20	058807

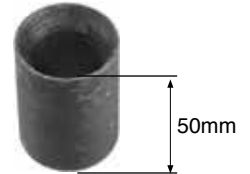
Drop Bar Ground Locator



Ø mm	Code
12	075012
16	075016

Length 50mm. BZP.

Tapered Drop Bar Locator

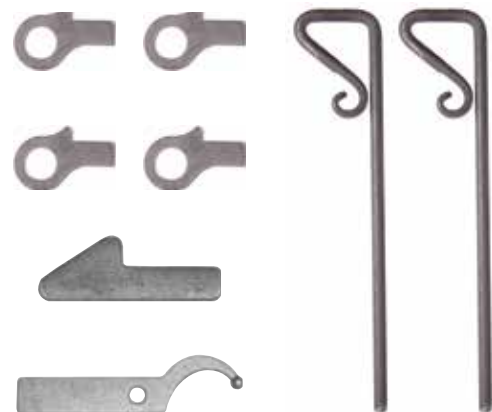


To Suit Ø mm	Ø mm	Code
12	20	0539704013
16	25	0539704015
20	27	0539704016



Accessory Kit For Pair Of Gates

4 guides, 2 drop bars, 1 latch and 1 catch



Ø mm	Code
12	058813
16	058814
20	058815

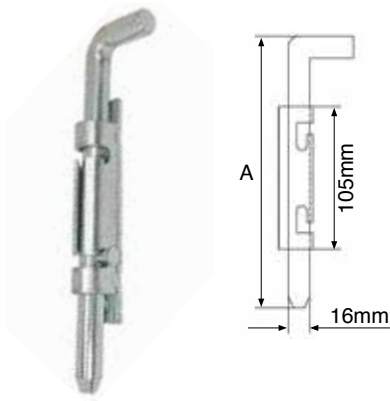
Drop Bolts



- Steel
- Wrought Iron
- Gate Hardware
- Sliding Door Gear
- Gate Automation
- Mesh
- Decking & Subframe
- Flooring & Stair Treads
- Handrailing
- Fencing
- Fixings

Drop Bolt

Screw-fix

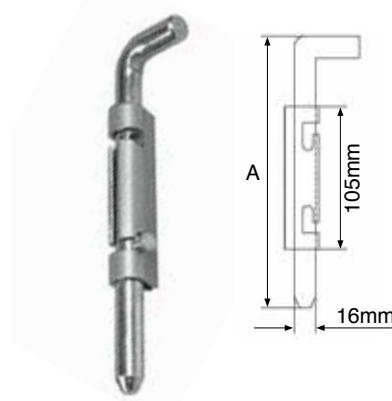


A mm	Code
200	05DB05
300	05DB12
500	05DB06

Galvanised.

Drop Bolt

Weld-fix

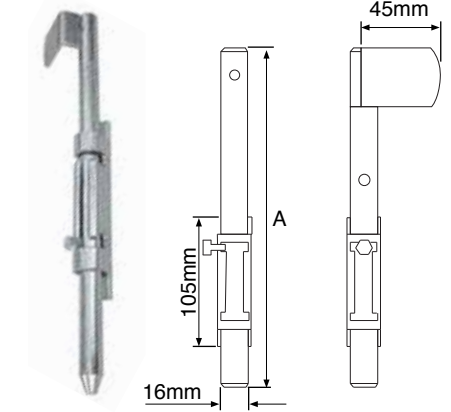


A mm	Code
200	05DB07
300	05DB13
500	05DB08

Galvanised.

Drop Bolt

Screw-fix

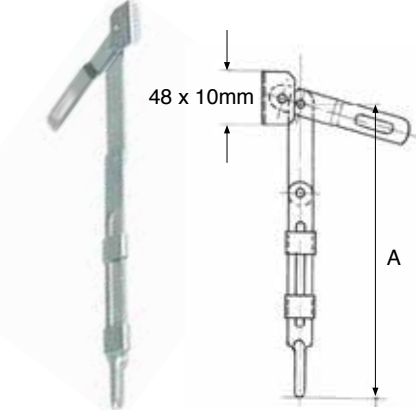


A mm	Code
200	05DB09
500	05DB10

Galvanised.

Drop Bolt

Weld-fix



A mm	Code
350	05DB03
700	05DB04

Side mount. Galvanised.

Drop Bolt

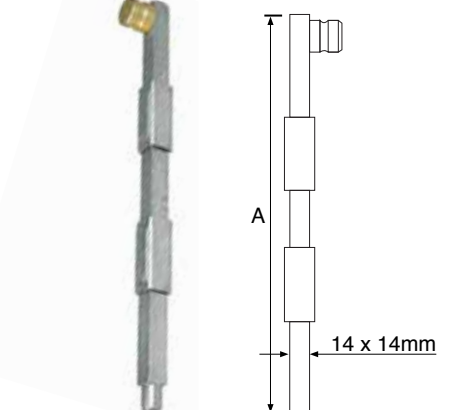


Height mm	Code
457	09FA608

Galvanised.

Drop Bolt

Weld-fix



Pin Ø mm	A mm	Code
25	330	05DB01
25	600	05DB02

Galvanised.

Bow Handle Bolt

5/8" square shoot

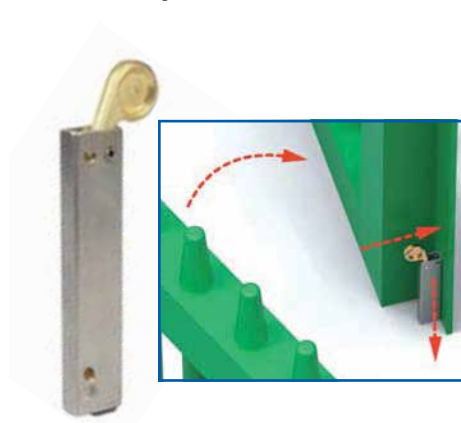


Height mm	Code
300	0515871
450	0515872
600	0515873

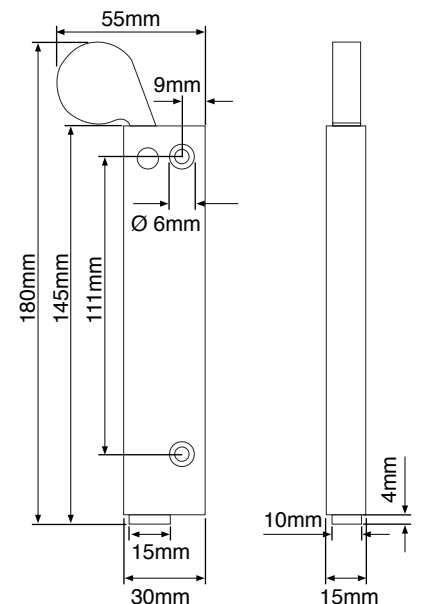
Galvanised.

Autobolt

For double leaf gates



Code
05GD001



Monkey Tail Bolt

5/8" square shoot



Height mm	Code
300	0515861
450	0515862
600	0515863

Galvanised.

AutoBolt



Height mm	Code
306	05GD42

Galvanised.

Drop Bolt

Side-fix



- Galvanised drop bolt
- Autolocking
- Screw fix

Size mm	Code
490 x 20	05ADBS

Drop Bolt



Height mm	Code
450	09FA29
610	05DB14

Polymer & stainless steel.

Locinox Drop Bolt

Aluminium lifting plate and galvanised steel drop bolt



- Aluminium head block & casing
- Height adjustability of the drop bolt: 100mm
- Throw: 140mm
- For gate profiles 40 x 40mm or more

Size mm	Code
490 x 20	05V5A

Drop Bolt

Weld fix



- Bolt cannot be lifted when second gate is closed
- Autolocking
- Weld fix

Size mm	Code
530 x 20	05V5B

Drop Bolt

Surface fix



- Stainless steel drop bolt
- For left & right hand gates
- Easy to fit

Size mm	Code
490 x 20	05LDBSS

Steel

Wrought Iron
Components

Gate
Hardware

Sliding
Door Gear

Gate
Automation

Mesh

Decking &
Subframe

Flooring &
Stair Treads

Handrailing

Fencing

Fixings

Steel

Wrought Iron Components

Gate Hardware

Sliding Door Gear

Gate Automation

Mesh

Decking & Subframe

Flooring & Stair Treads

Handrailing

Fencing

Fixings

Locinox Electradrop

Motorised electrical 24v drop bolt



- Vandal proof
- Fitted with relay for drop bolt detection
- Obstacle detection with automatic stop
- For gate profiles of 40mm or more
- Throw: 115mm

Colour	Fail Safe Open/Close	Code
Silver	Close	05ELD
Silver	Open	05ELDSO
Black	Open	05ELDBO

Locinox Suby

Internal drop bolt



- Designed for profiles up to 3mm thick
- Height adjustability of the drop bolt: 100mm
- For gate profiles 40 x 40, 50 x 50, 60 x 60 & 60 x 40mm
- Throw: 120mm
- Fast easy fixing
- For use with Ground Holder code: **05LEGS**

Code
05DB11

Locinox Key Drop Bolt



- Lockable drop bolt with cylinder
- 3 height adjustable positions
- Gate can be locked in open or closed position
- For gate profiles 40 x 40mm or more

Throw mm	Code
140	05LKD

Locinox Off-Centred Ground Stop



- Glass fibre re-inforced polyethylene
- Suitable for surface mounted drop bolts
- Adjustable stop plate for 40 - 60mm gate frames
- Steel concrete anchoring pins

Code
05LOGS

For use with Codes: **05V5A, 05LKD.**

Locinox Bolt-Down Off-Centred Ground Stop



- Maximum drop bolt diameter \varnothing 20mm
- Suitable for surface mounted drop bolts
- Adjustable height 20 - 45mm from ground level to bottom of gate
- Steel concrete anchoring pins

Code
05LSABO

Black anodised aluminium top plate.

Locinox Drop Bar Ground Holder



- Concrete in
- Galvanised base-plate with polypropylene recipient
- With drainage hole
- For drop bolts with a maximum pin \varnothing 20mm

Code
05LEGS

Wheels

White Nylon Swivel Wheel



Wheel \varnothing mm	Brake	Height mm	Max Weight Load kg	Code
100	No	128	70	11WN100S
100	Yes	128	70	11WN100SB
125	No	155	160	11WN125S
125	Yes	155	160	11WN125SB

Black Rubber On Steel Disc Swivel Wheel



Wheel \varnothing mm	Brake	Height mm	Max Weight Load kg	Code
100	No	128	70	11BS100S
100	Yes	128	70	11BS100SB
200	No	235	205	11BS200S
200	Yes	235	205	11BS200SB

Grey Rubber Swivel Wheel



Wheel Ø mm	Brake	Height mm	Max Weight Load kg	Code
75	No	97	40	11GR75S
75	Yes	97	40	11GR75SB

Blue Rubber On Black Nylon Swivel Wheel



Wheel Ø mm	Brake	Height mm	Max Weight Load kg	Code
100	No	128	70	11BB100S
100	Yes	128	70	11BB100SB
125	No	155	160	11BB125S
125	Yes	155	160	11BB125SB

Swivel Wheel With Expander & Brake

For use with mobile frames, carts, furniture and more

Expands to grip the inside of the tube



Wheel Ø mm	Height mm	Type	Ø mm	Black Code	Silver Code
50	69*	A	26.9	16ZWB50A	16ZWS50A
		B	33.7	16ZWB50B	16ZWS50B
		C	42.4	16ZWB50C	16ZWS50C
		D	48.3	16ZWB50D	16ZWS50D
75	100*	A	26.9	16ZWB75A	16ZWS75A
		B	33.7	16ZWB75B	16ZWS75B
		C	42.4	16ZWB75C	16ZWS75C
		D	48.3	16ZWB75D	16ZWS75D

50mm: Dynamic load capacity 40kg, static load capacity 80kg. 75mm: Dynamic load capacity 75kg, static load capacity 150kg. *Height is to shoulder of wheel only. Tighten using a 5/16" Allen key code: 16232D.

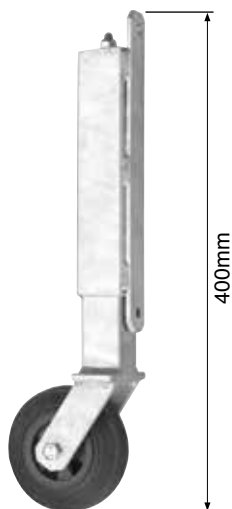


For our range of galvanised tube see page 427.



You can order online 24 hours a day, 7 days a week, scan here or visit www.fhbrundle.co.uk

Gate Jockey Wheel



Finish	Code
Galvanised	05JW202

Load rating 70kg. 50mm vertical travel. 100mm solid rubber tyre. Fully enclosed spring. Galvanised.

Budget Gate Jockey Wheel



Finish	Code
Black Painted	05JW203
Galvanised	05JW204

Load rating 75kg.

Budget Gate Jockey Wheel



Finish	Code
Galvanised	05JW205

Steel

Wrought Iron Components

Gate Hardware

Sliding Door Gear

Gate Automation

Mesh

Decking & Subframe

Flooring & Stair Treads

Handrailing

Fencing

Fixings



Steel
Wrought Iron Components
Gate Hardware
Sliding Door Gear
Gate Automation
Mesh
Decking & Subframe
Flooring & Stair Treads
Handrailing
Fencing
Fixings

Bump Stop



Plate mm	Code
90 x 90	05GD149223

Can be cut to length.

Gate Stop



Code
415116AP

Spring loaded. Galvanised.

Gate Stop



H x W x D mm	Code
104 x 110 x 110	05GD116P

Galvanised.

Adjustable Extra Large Locinox Gate Stop



Min Height mm	Max Height mm	Code
100	140	05LGS

- Fast and easy fixing
- Aluminium body with rubber stop
- Includes anchor bolt M12 for concrete fixing

Gate Stop

For metal gates



Code
09FA37

Polymer.

Gate Silencer

Easily fitted to existing or new gates to reduce noise



H x W x D mm	Code
180 x 55 x 65	05GSK

With 2 plate mounted rubber bump stops.

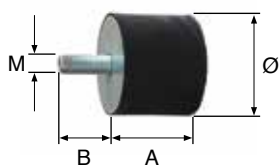
Heavy Duty Gate Stop Box

Epoxy Black



Size mm	Code
75	0515841

Bump Stop



Ø mm	(A) mm	(B) mm	(M) mm	Code
50	40	25	10	05SBS06

Gate Rubber Bump Stop



Ø mm	Length mm	Code
18	25	05SBS

Plastic Cap



Ø mm	(A) mm	(B) mm	(C) mm	Code
20	35	29	21	05SBS05

Rubber Bump Stop Matting

Cut to size



H x L	Code
50 x 100	05SBS04

Gate Stop

Bolt-down



H x W x D mm	Code
42 x 100 x 120	05GS002

Galvanised.

Small Gate Stop

Concrete-in



H x W x D mm	Code
71 x 81 x 104	05GS146B

Galvanised.

Large Gate Stop

Concrete-in



H x W x D mm	Code
86 x 90 x 130	05GS146

Galvanised.

Gate Stop

Weld-in



H x W x D mm	Code
92 x 50 x 8	05GD115
115 x 70 x 10	05GD116

Galvanised.

Gate Stop

Adjustable



Code
05GS003

Galvanised.

Gate Catch

For swing gates



Code
05ABL

Size: 500 x 40mm. Galvanised.

Cast Gravity Catch

Concrete-in



Finish	Code
Galvanised	0515831
Epoxy Black	0515832

Size: 260 x 310mm.

FREE* DELIVERY on orders over £150!



*Within our standard area and elsewhere at cost.

Steel

Locinox Child Safe Lock

With kidloc security knob



- Stainless steel lock
- Polyamide lock box
- Rollerbolt
- Conforms to the swimming pool standard NF P90-306
- Standard black case and handle

To suit sections mm	Code
40	05LAKZ

Black.

Locinox Twist 40 Lock

For use with 40 x 1.5mm ERW tube



- Stainless steel lock mechanism
- Aluminium powder coated casing
- Polyamide knob
- Stainless steel rollerbolt
- Conforms to the swimming pool standard NF P90-306

To suit sections mm	Code
40	05LT40

Locinox Push Bar

Lock not included



- Anodised black aluminium push bar with stainless steel mechanism
- For left and right opening gates
- Easy to install with Quick-Fix
- For gates up to 1.35m width
- Push bar length: 1400mm. Can be cut to suit different gate widths
- Ideal for use with Free Vinci lock or New Generation Locinox
- Lock not included

Code
05LC009



Locinox Lock

No deadlock facility



To Suit Sections mm	Colour	Code
40 - 60	Black	05LPB40B
40 - 60	Silver	05LPB40S
60 - 80	Black	05LPB60B
60 - 80	Silver	05LPB60S

For a cheaper lock option that deadlocks when premises are vacant, use a Locinox New Generation lock. See page 248.

Wrought Iron Components

Gate Hardware

Sliding Door Gear

Gate Automation

Mesh

Decking & Subframe

Flooring & Stair Treads

Handrailing

Fencing

Fixings



Keylatch



- Polyester powder coated black
- Stainless steel Grade 304 latch and screws
- Deadbolt is adjustable in length for precise fitting on site
- Keyed both sides for easy access
- Supplied with deadbolt guide plate
- The brass bearing plate locates the deadbolt precisely and guarantees a very smooth locking action
- Long throw 30mm movement

Keylatch

For use with handle



- Stainless steel latchbolt which springs 13mm into the gate post then moves to 30mm when the key is turned to deadlock the lock
- Latchbolt is adjustable in length for precise fitting on site
- Easy to rotate latchbolt for LH/RH gates
- Supplied with bolt guide plate and gate post strike plate
- Handle not supplied. See page 250 for a range of handles

Deadbolt



- Stainless steel
- Deadbolt is adjustable in length for precise fitting on site
- Supplied with guide plate
- The brass bearing plate locates the deadbolt precisely and guarantees a very smooth locking action
- Long throw 30mm movement
- Supplied with 5 pin eurocylinders
- Very quick and easy to adjust
- Tested to 1000 hours salt spray

Description	Suits	Code
Key Latch - Bolt-on	Flat bar & up to 30mm box section	05SBKLLT1601
Key Latch - Bolt-on	40 - 60mm box section	05SBKLLT1602
Key Latch - Bolt-on (Fire Brigade Converted)	40 - 60mm box section	05SBKLLT1602FBC
Key Latch - For use with handle	Flat bar & up to 30mm box section	05SL30
Key Latch - For use with handle	40 - 60mm box section	05SL40
Key Latch - For use with handle (Fire Brigade Converted)	Flat bar & up to 30mm box section	05SL30FBC
Key Latch - For use with handle (Fire Brigade Converted)	40 - 60mm box section	05SL40FBC
Deadbolt	Flat bar & up to 30mm box section	05SBD1601
Deadbolt	40 - 60mm box section	05SBD1602
Deadbolt (Fire Brigade Converted)	Flat bar & up to 30mm box section	05SBD1601FBC
Deadbolt (Fire Brigade Converted)	40 - 60mm box section	05SBD1602FBC

FIRE BRIGADE CONVERTED LOCKS LISTED IN TABLE ABOVE

Keylatch



Keylatch

For use with handle



Deadbolt



Superlock Bolt-On Gate Locks



- Steel
- Wrought Iron
- Gate Hardware
- Sliding Door Gear
- Gate Automation
- Mesh
- Decking & Subframe
- Flooring & Stair Treads
- Handrailing
- Fencing
- Fixings



- For use with a wide range of gate styles
- Left or right opening gates
- Adjustable latch bolt
- Precise fitting on-site
- Choice of locking solutions
- 70mm wide case

Latch Deadlock
With plain lever handle



Left & Right Hand Opening Code	
05SG30PH*	
05SG40PH**	

*Flat bar & up to 30mm box section.
**40 - 60mm box section.

Latch Deadlock
With traditional handle



Left & Right Hand Opening Code	
05SG30TH*	
05SG40TH**	

*Flat bar & up to 30mm box section.
**40 - 60mm box section.

Digital Gate Lock
Combination keypad on one side



Left Hand Opening Code	Right Hand Opening Code
05SGCH30L*	05SGCH30R*
05SGCH40L**	05SGCH40R**

*Flat bar & up to 30mm box section.
**40 - 60mm box section.

Digital Gate Lock
Combination keypad on both sides



Left & Right Hand Opening Code	
05SGC30*	
05SGC40**	

*Flat bar & up to 30mm box section.
**40 - 60mm box section.

Quick Exit Gate Lock
Combination keypad on one side



Left Hand Opening Code	Right Hand Opening Code
05SGCE30L*	05SGCE30R*
05SGCE40L**	05SGCE40R**

*Flat bar & up to 30mm box section.
**40 - 60mm box section.

Quick Exit Gate Lock
Key access on one side



Left Hand Opening Code	Right Hand Opening Code
05SGCK30L*	05SGCK30R*
05SGCK40L**	05SGCK40R**

*Flat bar & up to 30mm box section.
**40 - 60mm box section.

Quick Exit Gate Lock
No access



Left Hand Opening Code	Right Hand Opening Code
05SGCO30L*	05SGCO30R*
05SGCO40L**	05SGCO40R**

*Flat bar & up to 30mm box section.
**40 - 60mm box section.

Keeps & quick exit shroud are for use with Superlock bolt-on locks from this page only.

Keep
To suit all Superlocks



Code
05BKE

Keep With Interlocking Tab
To suit all Superlocks



Code
05BKES

Gapless Keep
To suit all Superlocks



Code
05GKE

Quick Exit Shroud
Bolt-on



Code
05BQS

For quick exit gate locks.



Locinox Combination Lock

Lock type 'LMC'. Combination keypad both sides.



- Mechanical code panel on both sides
- Possibility to work with different entrance and exit codes
- Polyamide rain and dust cover
- Easy and fast set-up or modification of the access codes
- With adjustable rollerbolt for easy closing
- Extremely strong and user-friendly mechanism
- Automatic code reset after opening by means of the handle
- Anti-code detection with integrated security press plate

Colour	To Suit Section Profile mm	Code
Black	10 - 20 - 30	05LMC10
Silver	10 - 20 - 30	05LMC10S
Green	10 - 20 - 30	05LMC10G
Black	30 - 40 - 50	05LMC30
Silver	30 - 40 - 50	05LMC30S
Green	30 - 40 - 50	05LMC30G

If a keep is required for this lock, specify code: 05L0505.

Locinox Valentino

Surface mounted battery powered code lock



- ISO 9227 KTL / E-coated lock box withstands 1000 hours of salt spray test
- Weather protected illuminated electronic code panel on both sides
- Extremely strong and vandal proof design
- Energy efficient, with up to 150,000 open/close cycles on same set of batteries
- Operates on 6 Lithium-metal AA batteries (included)
- Easy and fast set-up or modification of the access codes
- Low battery warning light
- Support for free-exit, pushbar, and code controlled handles
- Key-operated unlocking & programming functionality
- Supports permanently open codes
- Different entrance and exit codes possible

Colour	To Suit Section Profile mm	Code
Black	40	05LV40B
Silver	40	05LV40S

Locinox Free Vinci

Mechanical code lock. Keypad one side only



- Entrance secured by code, free exit
- Code panel with stainless steel push buttons on one side
- Polyamide rain and dust cover
- Easy and fast set-up or modification of the access codes
- With adjustable rollerbolt for easy closing
- Extremely strong and user-friendly mechanism
- Automatic code reset after opening by means of the handle
- Anti-code detection with integrated security press plate

Colour	To Suit Section Profile mm	Code
Black	40 - 60	05LFV40B
Silver	40 - 60	05LFV40S

Combination Lock

Keypad on both sides



- Auto-latching, close the gate and the latch bolt latches into the gate frame
- High quality marine grade digital keypad, long lasting durability
- Long 20mm movement
- Supplied with bolt support bearing

Left & Right Hand Opening Code
05DGL01*
05DGL02**

*Flat bar & up to 30mm box section. **40 - 60mm box section.

Combination Lock

Keypad one side only



- Auto-latching, close the gate and the latch bolt latches into the gate frame
- High quality marine grade digital keypad, long lasting durability
- Long 20mm movement
- Supplied with bolt support bearing

Left Hand Opening Code	Right Hand Opening Code
05DGLS01L*	05DGLS01R*
05DGLS02L**	05DGLS02R**

*Flat bar & up to 30mm box section. **40 - 60mm box section.



You can order online 24 hours a day,
7 days a week.
Visit www.fhbrundle.co.uk

Steel

One Sided Combination Lock

Handle on other side



Two Sided Combination Lock



Specification for both locks:

- Black finish
- To suit gate profiles up to 60mm
- Marine grade quality keypads tested to 1000 hours salt spray
- Easily reversible handling on site
- Spring loaded latch; adjustable between 65 - 80mm
- Security fixings

Description	Code
Locks on One Side	05B3100
Key Override	05B3100DKO

Description	Code
Locks on Both Sides	05B3150
Key Override	05B3175

Supplied with re coding key.

Supplied with re coding key.

One Sided Combination Lock



Two Sided Combination Lock

Specification for both locks:

- Suits gate profiles 30-60mm on standard fixings
- XL latchbolt available to suit profiles up to 120mm
- Anti-climb housing
- Easily reversible handling on site
- Simple installation, two telescopic fixings
- Marine grade quality keypads tested to 1000 hours salt spray
- Spring loaded latch - adjustable between 65-80mm
- Security fixings
- 20mm bolt withdrawal
- Black powder coated

Description	Code
Locks on One Side	05B3400
Key Override	05B3400KO

Description	Code
Locks on Both Sides	05B3430
Key Override	05B3430KO

Supplied with re-coding key.

Supplied with re-coding key.

One Sided Combination Lock

Push/pull pad on other side



Two Sided Combination Lock



Specification for both locks:

- Marine grade quality keypads tested to 1000 hours salt spray
- On gate code change
- Suitable for 40 - 60mm gate profiles
- Reversible on site
- Over 1000+ combinations
- Concealed code change shield

Code
05B3080

Code
05B3030

Wrought Iron Components

Gate Hardware

Sliding Door Gear

Gate Automation

Mesh

Decking & Subframe

Flooring & Stair Treads

Handrailing

Fencing

Fixings

Quick Exit Key Lock



Quick Exit Combination Lock

Bolt-on



Reverse angle of locks.



Gate Hung	To Suit Frame mm	Code
Right side	10 - 30	05SBQEKL01
Right side	40 - 60	05SBQEKL02
Left side	10 - 30	05SBQEKL01
Left side	40 - 60	05SBQEKL02

Gate Hung	To Suit Frame mm	Code
Right side	10 - 30	05SBQEDGLR01
Right side	40 - 60	05SBQEDGLR02
Left side	10 - 30	05SBQEDGLL01
Left side	40 - 60	05SBQEDGLL02

Polyester powder coated black. Stainless steel Grade 304 latch and screws. Polyester powder coated black. Stainless steel Grade 304 latch and screws.

Quick Exit Shroud

Bolt-on



Push Pad Latch



External Locking Knob Set



Code
05SBQE

For use with quick exit locks above. No fixings required. Bolt the shroud on in front of the lock.

Code
05L297

For use with external locking knob set code: **05L298**.

Code
05L298

For use with push pad latch code: **05L297**.

Locinox With Push Pad

With deadlock



- Lockable euro cylinder
- Comes with blank cylinder to prevent locking
- Push pad one side
- Full handle supplied
- Can deadlock when premises vacant
- If a keep is required for the lock, specify Code: **05L10505**

To suit sections mm	Colour	Code
10 - 20 - 30	Black	05LEP10B
10 - 20 - 30	Silver	05LEP10
30 - 40 - 50	Black	05LEP30B
30 - 40 - 50	Silver	05LEP30

Locinox With Push Pad

No deadlock facility



- Ideal for emergency exit use
- Complete with push pad
- No handle supplied
- Can lock, but not deadlock
- If a keep is required for the lock, specify Code: **05L10505**

To suit sections mm	Colour	Code
40 - 60	Black	05LE40B
40 - 60	Silver	05LE40S
60 - 80	Black	05LE60B
60 - 80	Silver	05LE60S

Locinox Push Pad



- Can be used in conjunction with a Locinox New Generation lock. See page 248
- If a keep is required for the lock, specify Code: **05L10505**

Colour	Code
Silver	05L3006

Locinox Gate Locks



New generation



Locinox Decorative Lockcase

To suit solid and box sections

Locinox Standard Lockcase

To suit solid and box sections



The above lockcases have the following spec:

- Stainless steel lock mechanism
- Latch and locking bolts adjust by 20mm using Allen key
- 25mm throw of the lock bolt

- Lock fixing by socket head screws. No special tool required
- Easy latch handing
- The keep fits box profiles from 40mm using quick fix bolts

Colour	To Suit Solid Section Profiles mm	To Suit Box Section Profiles mm	Fixing Bolts Centres mm	Code
Black	10 - 30	-	140	05LD10
Black	10 - 30	-	140	05LD10KA
Black	-	30 - 50	140	05LD30
Black	-	30 - 50	140	05LD30KA
Black	-	40 - 60	140	05LD40
Black	-	40 - 60	140	05LD40KA
Silver	-	30 - 50	140	05LD30S
Green	-	30 - 50	140	05LD30G
Silver	-	40 - 60	140	05LD40S
Green	-	40 - 60	140	05LD40G

Codes suffixed with KA are keyed alike.

Colour	To Suit Solid Section Profiles mm	To Suit Box Section Profiles mm	Fixing Bolts Centres mm	Code
Black	10 - 30	-	140	05LS10
Black	10 - 30	-	140	05LS10KA
Black	-	30 - 50	140	05LS30
Black	-	30 - 50	140	05LS30KA
Black	-	40 - 60	140	05LS40
Black	-	40 - 60	140	05LS40KA
Silver	-	30 - 50	140	05LS30S
Green	-	30 - 50	140	05LS30G
Silver	-	40 - 60	140	05LS40S
Green	-	40 - 60	140	05LS40G

Codes suffixed with KA are keyed alike.

Locinox Decorative Lock Kit

To suit solid and box sections

Locinox Standard Lock Kit

To suit solid and box sections



Exclusive to
F.H. BRUNDLE

Colour	To Suit Solid Section Profile mm	To Suit Box Section Profiles mm	Fixing Bolts Centres mm	Code
Black	10 - 30	-	140	05LD10P
Black	-	30 - 50	140	05LD30P
Black	-	40 - 60	140	05LD40P

Colour	To Suit Solid Section Profile mm	To Suit Box Section Profiles mm	Fixing Bolts Centres mm	Code
Black	10 - 30	-	140	05LS10P
Black	-	30 - 50	140	05LS30P
Black	-	40 - 60	140	05LS40P



Lock Type LP

To suit solid section profiles 10 - 30mm

Lock Type LC

To suit box section profiles 30 - 60mm



Colour	To Suit Sections mm	Code
Black	10 - 20 - 30	05LP10
Black	10 - 20 - 30	05LP10KA

Locking Pins: 70mm centres. Holes to lock face Ø 20mm. Outer hole Ø 24mm counterbore to a depth of 5mm. Codes suffixed with KA are keyed alike.

Colour	To Suit Sections mm	Code
Black	30 - 40 - 50	05LC30
Black	40 - 50 - 60	05LC40
Black	30 - 40 - 50	05LC30KA
Black	40 - 50 - 60	05LC40KA

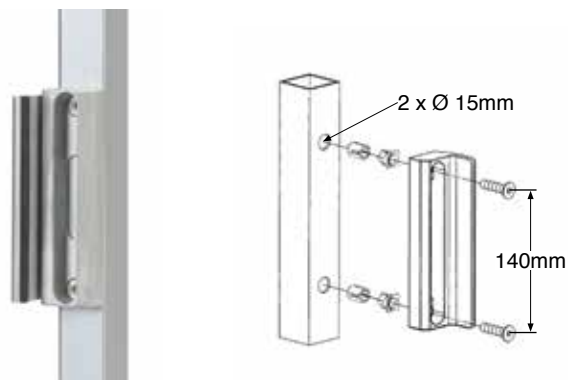
If using with 60mm RHS then it is advisable to use with a Locinox keep, to minimise space between throw and post. Locking Pins: 70mm centres. Holes to lock face Ø 20mm. Outer hole Ø 24mm. Codes suffixed with KA are keyed alike.



Technical documents are available on our website: www.fhbrundle.co.uk

Locinox Keep & Adjustable Stop

New Generation



- To suit solid section profiles 40mm and above

Code
05L10505

Locinox Garden Gate Lock & Keep

Lock

Keep

To suit polymide locks



Description	Code
To suit 40mm RHS sections	05LGS40B

Black polymide lock box and handles. Throw 33mm.

To Suit	Code
40mm RHS sections	05LGSKEEP

For gate profiles of 40mm.

Steel
Wrought Iron Components
Gate Hardware
Sliding Door Gear
Gate Automation
Mesh
Decking & Subframe
Flooring & Stair Treads
Handrailing
Fencing
Fixings

Cylinders



Code
05LC002

Spare cylinders.

Code
05LC003

Keyed alike.

Key Blanks



Code
05LC004

Stainless Handles



Code
05LC007

Stainless steel.

Collar Spanner

Required to bolt lock to gate



Code
05L10104

Old generation.

Traditional Handles



Code
05LC005

Black.

Aluminium Handles



Code
05LC006

Aluminium.

MARANO[®]

LIGHT • STYLE • VISION

Aluminium fence boards - Modern gate solutions



- 6 superb styles to choose from
- Single or double sided option
- Fencing kits available



Scan here for more information.



Steel

Wrought Iron
ComponentsGate
Hardware

CAME Electric Latch

12V AC/DC



Description	Code
Electric latch with single cylinder	21LOCK81
Electric latch with double cylinder	21LOCK82

Budget Lock



- Holding force is 300kg
- Voltage / current: 12V/500mA, 24V/250mA
- Relay dry contact rating: 500mA, 24V DC/AC

Code
05EL04

Gate Maglock



- 545kg Maglock holding force with fixing plates and handles
- Powder coated mounting plate with fixing holes
- Maglock voltage / current: 12V/500mA, 24V/250mA
- Lock status switch rating; 250mA

Code
05EMGK

A complete range of gate automation products can be found from page 288.

Sliding
Door GearGate
Automation

Mesh

Decking &
Subframe

MAG3000 Locinox Electro Magnetic Lock

Aluminium coated casing



- Quick-fix, fast and easy fixing
- Integrated handles
- No welding
- Centres as standard Locinox keeps
- Fail open
- 300N (300kg) Minimal pulling force
- Voltage: 12V/24V DC. Current: 500mA/12V of 250mA/24V

Colour	Code
Black	05EL05B
Silver	05EL05S

Gate Maglock Kit

With heavy duty digital electronic keypad



- 545kg Maglock holding force with fixing plates and handles
- Powder coated mounting plate with fixing holes
- Maglock voltage / current: 12V/500mA, 24V.250mA
- Lock status switch rating; 250mA
- Power supply with steel box
- Press to exit button

Code
05EMGKIT

Flooring &
Stair Treads

Handrailing

Fencing

Fixings

Electromagnetic Strikes



For Swing Gates

Locinox Ruptura



- Strong and user friendly design
- Easy left/right change
- Suits profiles of 50mm RHS and larger
- Water resistant and weatherproof
- Pressure resistance of 500kg on latch/bolt
- Voltage 12V & 1.5A

Locinox Emissa



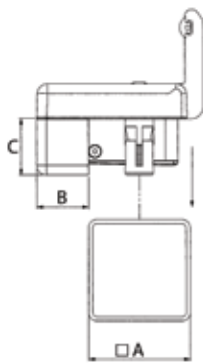
- Strong and user friendly design
- Easy left/right change
- Suits profiles of 50mm RHS and larger
- Water resistant and weatherproof
- Pressure resistance of 500kg on latch/bolt
- Voltage 12V & 1A

Code
05LSER

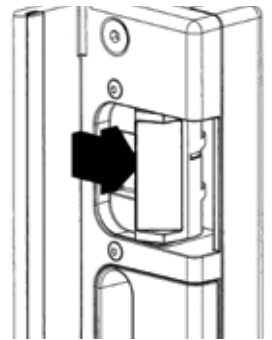
Code
05LSEE

In a power failure the gate strike releases to OPEN position. For security it is recommended that the last person out manually locks at night.

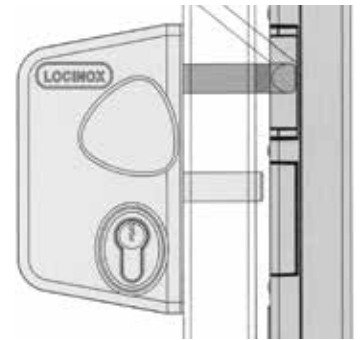
In a power failure the gate remains locked requiring a key to release.



Box Section mm	A mm	B mm	C mm
60	50	25.6	28
60	60	20.6	28
80	80	10.6	28
100	100	N/A	N/A



Pressure resistance



Locking of the self-latching bolt

Swing Gate Locks

Insert locks

Lock Kit



Keep Box



Lock Box



Description	Height mm	Width mm	Thickness mm	Code
Swing Lock Kit	-	-	-	05F002*
Keep Box	2100	□ 40	2.0	05F003
Lock Box				05F004

Kits include: lock, handle, cylinder and barrel protector.

*Nickel plated steel.



Locinox Hybrid Lock

For swing gates



- Stainless steel
- Key operated
- Self-latching bolt
- Throw 33mm
- With cover plate
- For 54, 60 & 80mm cylinder

Code
05L6060

Comes with 54mm cylinder and stainless steel handles.

Locinox Hybrid Keep



- Stainless steel latch plate
- Aluminium body
- For profiles 40 - 60mm
- Innovative 'quick-fix' mounting
- Anchoring plate for hook

Code
05LSHKM

Locinox Hybrid Lock Box



- 2000 x 40 x 60mm

Code
05LHLT

Locinox Hybrid Keep Box



- 2000 x 40 x 60mm

Code
05LHKT



Technical documents are available on our website: www.fhbrundle.co.uk

Make Life Easier With Online Ordering!



- Order products 24/7
- Check prices
- View purchase history
- Create quotes

Visit www.fhbrundle.co.uk

Forty, Fifty & Sixty Lock

Lock Kit



Exclusive to
F.H. BRUNDLE

Description	To Suit Profile mm	Code
Forty Lock Kit	40	05L40P
Fifty Lock Kit	50	05L50P
Sixty Lock Kit	60	05L60P

Kit contains: Lock, stainless steel adjustable insert keep, aluminium cover shield & aluminium handles.

Lock Box & Keep

Lock Box



Keep Box



Length mm	Profile mm	Lock Box Code	Keep Box Code
2000	40 x 40 x 2.5	05L40LB	05L40KB
2000	50 x 50 x 2.5	05L50LB	05L50KB
2000	60 x 60 x 2.5	05L60LB	05L60KB

Locinox Lock



Description	To Suit Profile □ mm	Code
Forty Lock	40	05L40
Fifty Lock	50	05L50
Sixty Lock	60	05L60

Cylinder and handles to be ordered separately.

Locinox Cover Shield

For insert locks



Finish	Code
Stainless Steel	05L40C1
Aluminium	05L40C2
Polymide	05L40C3

Cylinders



Code
05LC002

Spare cylinders.

Code
05LC003

Keyed alike Euro cylinder.

Insert Keep

For Forty lock



To Suit Profile □ mm	Code
40	05L40K1

Stainless steel.

Adjustable Insert Keep

For Forty, Fifty & Sixty lock



To Suit Profile □ mm	Code
40 - 60	05LSFKO

Aluminium stop plate.

Electric Insert Keep

Fail open for Forty & Fifty lock



To Suit □ mm	Stop Plate	Code
40	Yes	05LINC40R
40	No	05LINZ40R
50	Yes	05LINC50R
50	No	05LINZ50R

Polymide.

Electric Insert Keep

Fail close for Forty & Fifty lock



To Suit □ mm	Stop Plate	Code
40	Yes	05LINC40E
40	No	05LINZ40E
50	Yes	05LINC50E
50	No	05LINZ50E

Polymide.

Narrow Hook Lock

With Euro cylinder



L mm	W mm	D mm	Code
195	20	43	05SN01

Can be used as a hook lock on sliding gates or as a dead lock for hinged gates.

Narrow Dead Lock Latch

With Euro cylinder



L mm	W mm	D mm	Code
240	23	37	05SN02

Latch operated by handle. See page 258.

Narrow Dead Lock Latch

With Euro cylinder



L mm	W mm	D mm	Code
175	25	40	05SN03

Mortice Lock

With nickel plated steel front



Code
0589104000

240 x 47 x 15mm. To Suit □ 40mm profile.

Welka Gate Lock



Description	Code
Gate Lock with 3 keys	05L5555
As above keyed alike	05L5555KA
Spare Cylinders	05L5556
Spare Cylinders keyed alike	05L5557
Key blanks	05L5558

3 throw lock bolt which extends 32mm. 25mm cylinder. Reversible latch, and operated by lever handles or a knob set (not included).

Mortice Deadlock



Code
0505LBS203

Lock body: 76 x 73 x 17mm.
Fascia plate: 120 x 25mm.
Receiving plate: 18 x 32mm.
Fascia holes at 102mm centres.

Mortice Lock Kits



- Fits 40mm box section
- Backset 20mm
- Latch & deadbolt in one hook
- Operated with key and handle
- All stainless steel with brass latch
- Tested to 1,000,000 openings

No.	Description	Code
1	With Dual Cover	05ML4DCO
2	With Full Cover	05ML4FCO
-	2.1m long Lock Box For Mortice Lock Kits	05ML4LB
-	2.1m long Keep Box For Mortice Lock Kits	05ML4KB

Kit includes: mortice lock, mortice lock keep, 2 keys, 60mm euro cylinder, pair of decorative handles, face plate & cover plates.

Weld-In Locks

Simply weld the case onto the gate and fit lock after galvanising



- Steel
- Wrought Iron
- Gate Hardware
- Sliding Door Gear
- Gate Automation
- Mesh
- Decking & Subframe
- Flooring & Stair Treads
- Handrailing
- Fencing
- Fixings

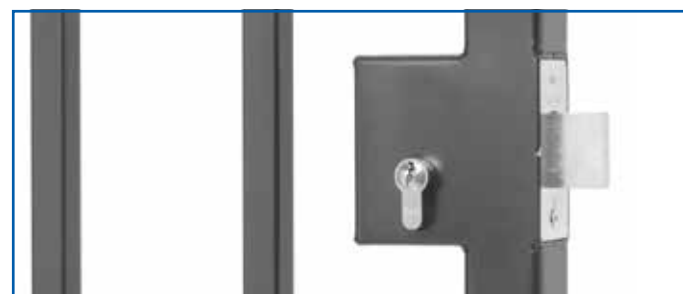
Deadlock Latch & Double Throw



Case Width mm	Code
30	05S30*
30	05S30KA**
40	05S40
40	05S40KA**
50	05S50
50	05S50KA**
60	05S60
60	05S60KA**

*Barrel protectors on this page can be used code: 05SBP. **Keyed alike. Handle sold separately.

Double Throw Deadlock



Case Width mm	Code
25	05SD25*
30	05SD30*
40	05SD40
50	05SD50
60	05SD60

*Barrel protectors on this page can be used code: 05SBP.

Please note lock Codes: 05S60/60KA & code: 05SD60 are to be used with handle code: 05LC005 on page 250.

Plain Handles

For use with weld-in locks



Code
05S01AH

Octagon Knobs

For use with weld-in locks



Code
05S01OK

Traditional Handles

For use with weld-in locks



Code
05FLH

Aluminium lacquered black with washer. Supplied with optional rosette.

*Barrel Protector

To reduce barrel exposure for 25 & 30mm cases



Thickness mm	Code
12	05SBP

*Barrel Protector



Thickness mm	Code
5	05SBP05
10	05SBP10

Gate Locking Bolt

Standard Euro cylinder



Code
05S02GLB
05S02GLBKA*

*Keyed alike. This quality locking bolt provides an easy to install security application to single or double gates.

Locking Bolt

With extra long Euro cylinder



Code
05GLB02
05GLB02KA*

*Keyed alike. Euro cylinder which projects 56mm from the back of the lock. Used for fixing to timber gates or through metal box section gate frames.

Locking Bolt Accessories

Standard Lock Plate

Includes fixing screws



Code
05S02GLBP

Slotted Lock Plate

Includes fixing screws



Code
05S02GLBS

Weldable Keep Plate



Code
05S02GLBK

Screw Fix Keep Plate

Zinc plated



Code
05GLBKT

Zed Lock



Throw mm	To suit gate mm	Code
70	50	05ZED70100



Scan here for our full range of swing gate locks.



You can order online 24 hours a day, 7 days a week. Visit www.fhbrundle.co.uk

Steel

Black Handle

Adjustable



H x W x D mm	Code
33 x 107 x 128	0588404000

Aluminium.

Black Handle

With spring



H x W x D mm	Code
67 x 137 x 164	0588604000

Plastic.

Black Keyhole Cover



H x W x D mm	Code
67 x 32 x 3.5	0588504000

Plastic.

Wrought Iron Components

Gate Hardware

Tubular Handle

Flanged



Size mm	Code
Ø 20 x 230 x 64	171170
Ø 28 x 345 x 80	171171

Galvanised.

Tubular Handle

Flanged



Size mm	Code
Ø 20 x 230 x 64	171170B
Ø 28 x 345 x 80	171171B

Steel lacquered black.

Tubular Handle

Weld-fix



Size mm	Code
Ø 20 x 180 x 62	171172
Ø 28 x 280 x 78	171173

Self colour.

Sliding Door Gear

Gate Automation

Pull Handle



H x W x D mm	Code
Ø 15 x 180 x 65	05F007

Width is measured from centre of fixing plate to centre of fixing plate.

Pull Handle 2



H x W x D mm	Code
Ø 15 x 180 x 65	05F008

Width is measured from centre of fixing plate to centre of fixing plate.

Flush Pull Handle



H x W mm	Code
115 x 52	41511F
200 x 90	41501F

Zinc plated.

Mesh

Decking & Subframe

Flooring & Stair Treads

H Profile Brush Strip



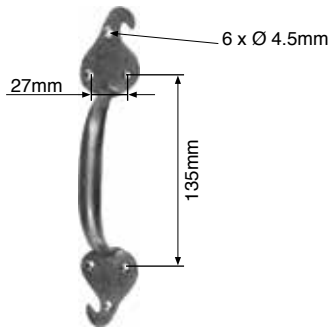
H x L mm	Code
25 x 3000	05H525
45 x 3000	05H545



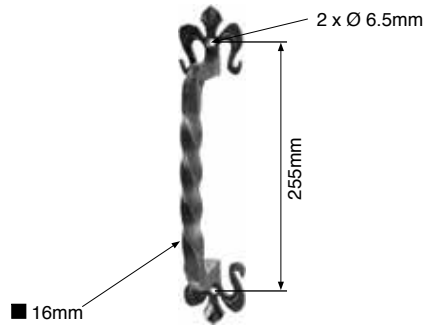
Handrailing

Fencing

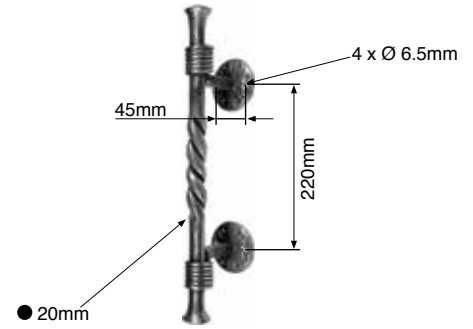
Fixings



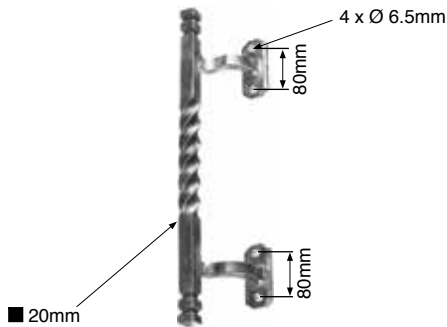
↕	↔	↗	⚖	Code
mm	mm	mm	kg	
230	45	45	0.15	0534702000



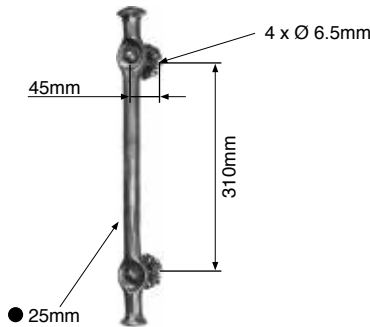
↕	↔	↗	⚖	Code
mm	mm	mm	kg	
330	70	80	0.80	0536202000



↕	↔	↗	⚖	Code
mm	mm	mm	kg	
400	68	90	1.68	0539202000



↕	↔	↗	⚖	Code
mm	mm	mm	kg	
410	80	80	1.75	0531302000



↕	↔	↗	⚖	Code
mm	mm	mm	kg	
450	68	80	2.40	0539802000

Hammered

Free delivery on all orders over £150.00

Lock Plates



↕	↔	⚖	Code
mm	mm	kg	
200	150	0.59	0530502000

3mm thickness.



↕	↔	⚖	Code
mm	mm	kg	
295	110	0.69	0530702000

3mm thickness.



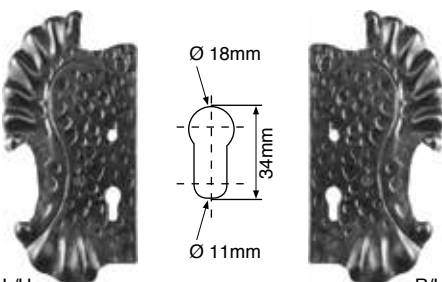
↕	↔	⚖	Code
mm	mm	kg	
295	95	0.67	0543302000

4mm thickness.



↕	↔	⚖	Code
mm	mm	kg	
305	135	1.07	0543602000

4mm thickness.



↕	↔	≡	⚖	Code
mm	mm	mm	kg	
280	160	3	1.00	0530302000 (L/H)
280	160	3	1.00	0530402000 (R/H)



↕	↔	≡	⚖	Code
mm	mm	mm	kg	
280	160	3	0.91	0530102000 (L/H)
280	160	3	0.91	0530202000 (R/H)



↕	↔	≡	⚖	Code
mm	mm	mm	kg	
300	150	3	0.67	0543002000 (L/H)
300	150	3	0.67	0543102000 (R/H)



Ring Ø mm	⚖️ kg	Code
80	0.60	0590404000

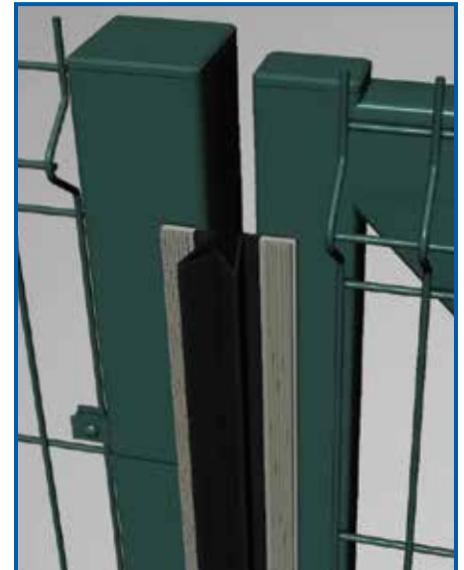
H 140 x W 90mm.

Ring Ø mm	⚖️ kg	Code
100	0.30	0545602000

H 108 x W 100mm. Cast Iron.

↕ mm	↔ mm	↗ mm	Ring Ø mm	⚖️ kg	Code
280	115	80	115	2.05	0501208000

Gap Safe Finger/Arm Protection Cover



Designed for protecting fingers/arms from automated or standard gates. Gap Safe can be fitted to both hinge sides of a gate. The 2 metre lengths can easily be cut to size and installed on a range of substrates. Available in black with aluminium strips and has a plastic cover to conceal all fixings which makes it more aesthetically pleasing.

Finger/Arm Protection Cover



Cross section of profile



Fitting Instructions

1. Remove grey cover strips
2. Measure height of gate (cut to size if required)
3. Fit to gate post first (pilot holes required)
4. Fit other end to gate frame
5. Slide in cover strips and check operation

Height m	To Suit Profile □ mm	Min. Width mm	Max. Width mm	Fixing Holes	Code
2	30mm and above	50	150	10 x Ø 5mm	05GC22

For fixing to gates and posts use a stainless steel self-tapping pan head screw code: **5004PS4216**.



Double Hook Lock

Hook Lock

Hook Lock

Hook Lock



Code
0588804000

Galvanised.

Code
0592704000

Galvanised.

Code
0592804000

Galvanised.

Code
0588704000

For use with Codes: **0589004000** & **0588904000**. Galvanised.

Sliding Gate Lock

Open Strike

Cover Box



Code
05SGL350

Code
05SGL35540

For use with code: **05SGL350**.

A mm	To Suit Section mm	Code
10	50mm	0589004000
20	40mm	0588904000

171 x 78 x 40mm. For use with Code: **0588704000**.



Technical documents, .dwg & .step files are available on our website: www.fhbrundle.co.uk

Sliding Gate Locks



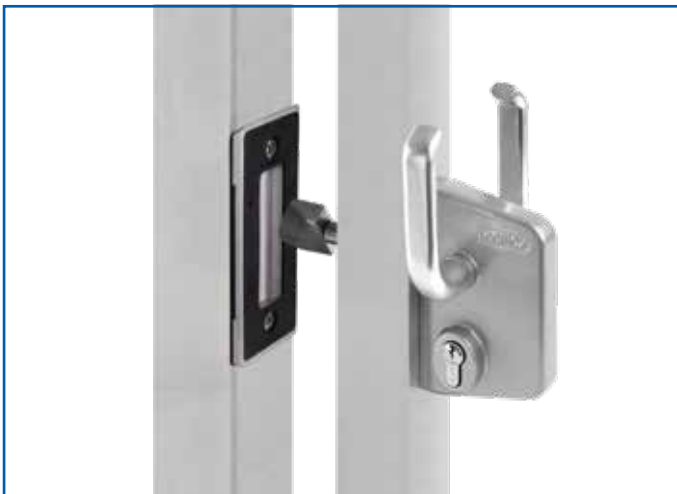
- Steel
- Wrought Iron Components
- Gate Hardware
- Sliding Door Gear
- Gate Automation
- Mesh
- Decking & Subframe
- Flooring & Stair Treads
- Handrailing
- Fencing
- Fixings



Locinox Sliding Gate Lock

Lock type 'LSBZ' for sliding gates

Locinox Sliding Gate Lock Keep



To suit sections mm	Code
40	05LSBZ40
50	05LSBZ50

To suit sections mm	Code
100 and above	05LSBZ

Also available for 60, 80 & 100mm profiles.

Insert Slide Lock Kit

Keep Box

Lock Box



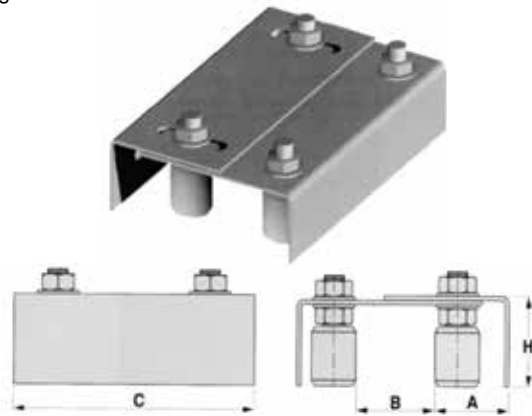
Description	Height mm	Width mm	Thickness mm	Code
Sliding Lock Kit	–	–	–	05F005*
Keep Box	2100	□ 40	2.0	05F003
Lock Box				05F004

Kits include: lock, handle, cylinder and barrel protector.

*Nickel plated steel.

Adjustable Upper Guide Bracket

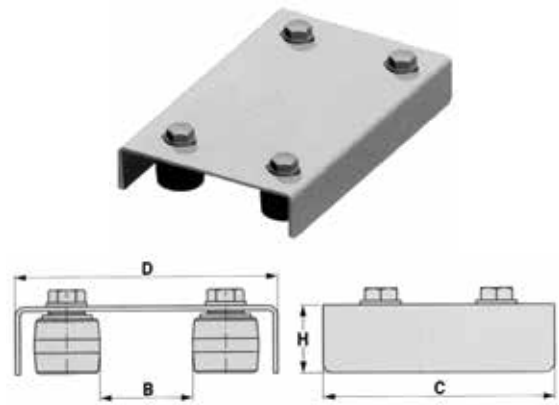
With 4 guide rollers



A mm	B mm	C mm	H mm	Code
50 - 87	60 - 80	350	65	3904214
50 - 87	60 - 80	350	82	3904218

Adjustable Upper Guide Bracket

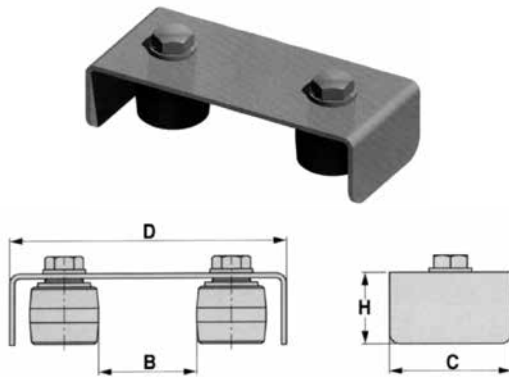
With 4 guide rollers



B mm	C mm	D mm	H mm	Code
40 - 50	220	138	35	3904221

Adjustable Upper Guide Bracket

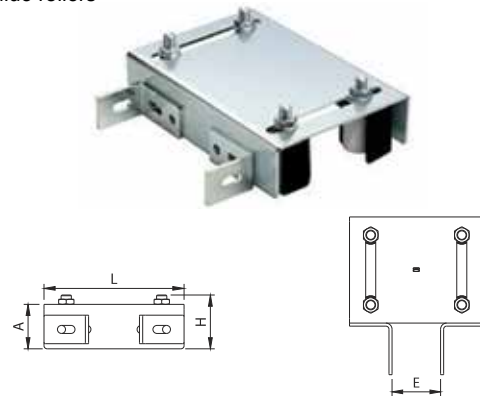
With 2 guide rollers



B mm	C mm	D mm	H mm	Code
40 - 50	60	145	33	3904220

Adjustable Upper Guide Bracket

With 2 guide rollers



A mm	L mm	H mm	E mm	Code
70	220	85	80 - 120	05GD002

Monorail Roller Track



L x W x H mm	Internal mm	Thickness mm	Code
3000 x 50 x 50	42	4	05G005

Zinc plated.

Monorail Gate Support



Height mm	Width mm	Roller mm	Code
167	55 - 85	57 x 39	05G004

Zinc plated.

Adjustable Gate Holder



Min/Max mm	Roller Width mm	Code
53 - 76	50	05G002
86 - 114	50	05G003

Zinc plated.



Monorail roller track.



Monorail gate support.

Gate Support



W x H mm	Roller mm	Code
115 x 80	50 x 70	05G001

Zinc plated.

Steel

Wrought Iron Components

Gate Hardware

Sliding Door Gear

Gate Automation

Mesh

Decking & Subframe

Flooring & Stair Treads

Handrailing

Fencing

Fixings

Sliding Gate Components



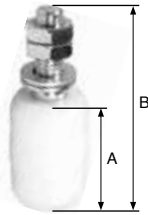
Steel
Wrought Iron
Gate Hardware
Sliding Door Gear
Gate Automation
Mesh
Decking & Subframe
Flooring & Stair Treads
Handrailing
Fencing
Fixings



Ø mm	Length mm	Thread mm	Code
40	44	37 x M16	05GD114



Ø mm	Length mm	Thread mm	Code
40	60	41 x M16	05GD118



Ø mm	A mm	B mm	Thread mm	Code
30	40	70	M10	0587904000
42	40	74	M14	0588104000
40	59	91	M16	0588004000



Ø mm	Length mm	Base Plate mm	Code
52	48	60 x 35	05GD166S

Nylon Roller With Rubber Ring



Ø mm	Length mm	Thread mm	Code
34	30	M10	05GD412



Ø mm	A mm	B mm	Code
42	59	104	05GD013

4mm rubber rings.

Regulating Staple With Nylon Rollers



Height mm	Width mm	Depth mm	Code
90	235	124	39NR1030

Galvanised steel with 2 nylon roller guides and end stop.

Guide Support With 2 Rollers



Ø mm	Roller Height mm	Bar mm	Code
40	44	40 x 5	05GD567

Adjustable Guide Plate



Height mm	Width mm	Depth mm	Code
65	165	70	0587704000

Galvanised steel with 2 nylon roller guides.

For our range of track & wheels see from page 266 or visit www.fhbrundle.co.uk

Long Nylon Roller



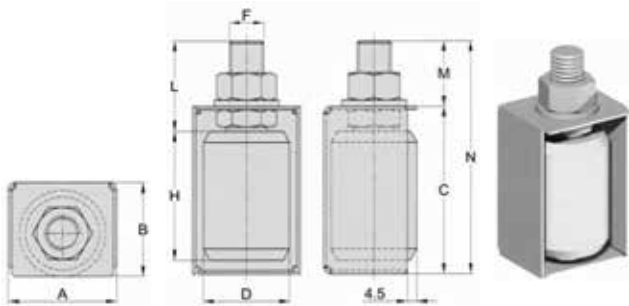
D mm	F mm	H mm	L mm	Code
40	16	250	42	05GD1184

Long Nylon Roller With Support



A mm	B mm	d mm	D mm	H mm	L mm	M mm	Code
299	40	9	40	250	51	200	05GD1185

Covered Roller

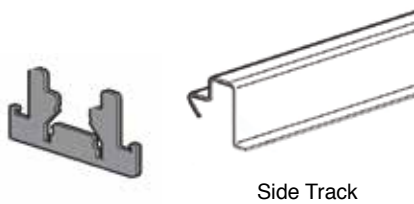


A mm	B mm	C mm	D mm	F mm	H mm	L mm	M mm	N mm	Code
39	33.5	57	30	M14	40	34	25.0	82.0	05GD117C
50	43.5	78	40	M16	60	41	30.5	108.5	05GD118C
71	65.5	95	60	M20	60	65	45.0	140.0	05GD119C

Ground Fixing Rail Kit

Concrete-in

Kit For Track



Side Track

Code
05GD005

20mm Round Track



Length m	Code
3	05GD003

Connection Pin

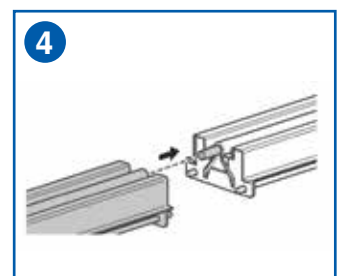
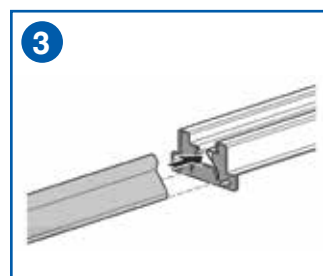
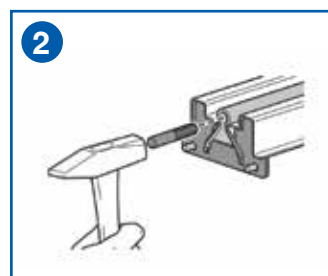
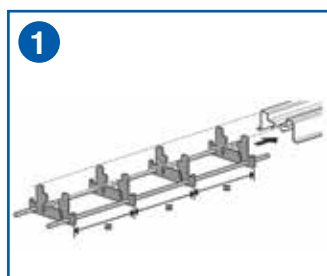


Ø mm	Code
12.5	05GD004

Galvanised. Kit includes 4 x clips and 2 x side tracks. For track use code: **05GD003** with connector pin code: **05GD004**. Steel rods code: **300283** for securing clips together.

Galvanised.

Galvanised. To suit code: **05DG003**.



- Steel
- Wrought Iron
- Gate Hardware
- Sliding Door Gear
- Gate Automation
- Mesh
- Decking & Subframe
- Flooring & Stair Treads
- Handrailing
- Fencing
- Fixings



16mm Round Grooved Tracks Bolt-Down



Length m	Code
3	05GD3693

Galvanised.

Concrete-In Budget



Length m	Code
3	05GD287

Galvanised.

Concrete-In



Length m	Code
3	05GD616Z3

Galvanised.

20mm Round Grooved Tracks Bolt-Down



Length m	Code
3	0587504000

Galvanised.

Concrete-In Budget



Length m	Code
3	0587404000

Galvanised.

Concrete-In



Length m	Code
3	05GD620Z3
6	05GD620Z6

Galvanised.

V Grooved Tracks Bolt-Down



Length m	Code
3	0587604000

Galvanised.

Concrete-In Budget



Length m	Code
3	05GD292

Galvanised. To suit all 'v' grooved wheels.

Connection Pin



Ø mm	Code
17	05GD292P

For use with Code: 05GD292.

For our weldable gate stops see page 241.

Round Groove

For 16mm track



Capacity kgs	To Suit Track mm	Ø mm	Code
200	16	60	0515060
200	16	80	0515062
300	16	100	0515063
300	16	120	0515064

Round Groove

For 20mm track



Capacity kgs	To Suit Track mm	Ø mm	Code
600	20	100	0515067
600	20	120	0515068
600	20	140	0515069
600	20	160	0515070

'V' Groove



Capacity kgs	Ø mm	Code
200	60	0515072
200	80	0515074
300	100	0515075
300	120	0515076

'V' Groove

Double bearing



Capacity kgs	Ø mm	Code
600	100	0515079
600	120	0515080

Round Groove

With plates to weld



Capacity kgs	To Suit Track mm	Ø mm	Code
300	16	120	0515084
350	16	100	0515W006

'V' Groove

With plates to weld



Capacity kgs	Ø mm	Code
350	100	0515W005
400	120	0515088

Round Groove

With support



Capacity kgs	To Suit Track mm	Ø mm	Code
250	20	80	058704000
250	16	90	41210716
300	20	100	0587104000
300	16	120	0515092
300	16	140	0515093
600	20	120	0515094
600	20	140	0515095

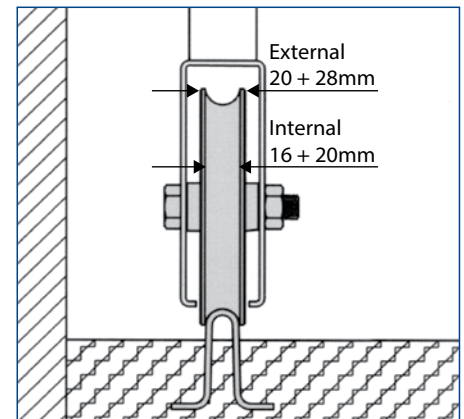
'V' Groove

With support

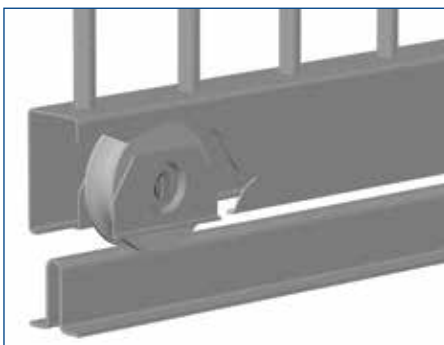


Capacity kgs	Ø mm	Code
250	80	0586604000
300	100	0586704000
300	120	0515096

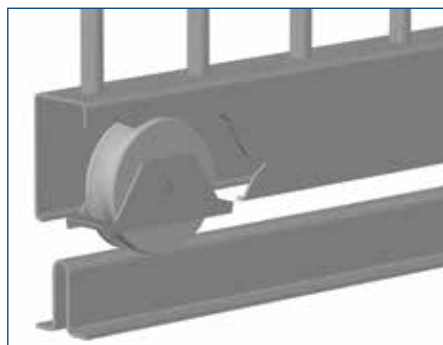
Wheel Measurements



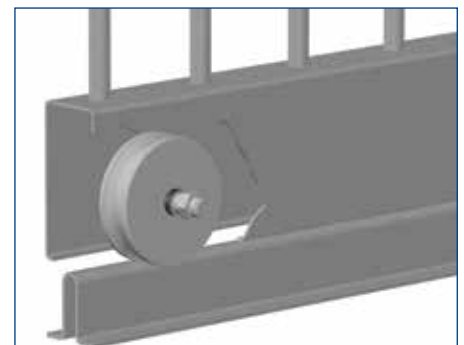
Wheel With Plates



Wheel With Support



Wheel With Bolts



Steel

Wrought Iron Components

Gate Hardware

Sliding Door Gear

Gate Automation

Mesh

Decking & Subframe

Flooring & Stair Treads

Handrailing

Fencing

Fixings

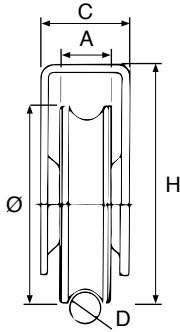
Wheels For Sliding Gate



Steel

Round Groove

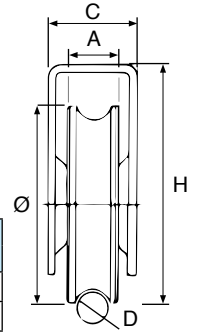
To suit 16mm track



Max. Capacity kgs	A	C	H	D	Ø	Code
	mm	mm	mm	mm	mm	
300	22	37	95	16	80	0515W011
350	22	37	105	16	100	0515W012

Round Groove

To suit 20mm track

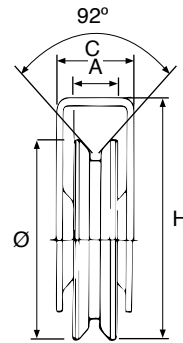


Max. Capacity kgs	A	C	H	D	Ø	Code
	mm	mm	mm	mm	mm	
300	25	37	95	20	80	0515W001
400	25	37	105	20	100	0515W002

Wrought Iron
Components

Gate
Hardware

'V' Groove

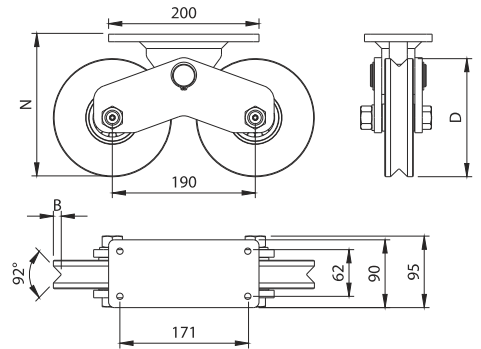


Max. Capacity kgs	A	C	H	Ø	Code
	mm	mm	mm	mm	
300	20	37	95	80	0515W003
350	20	37	105	100	0515W004

Sliding
Door Gear

Gate
Automation

'V' Groove



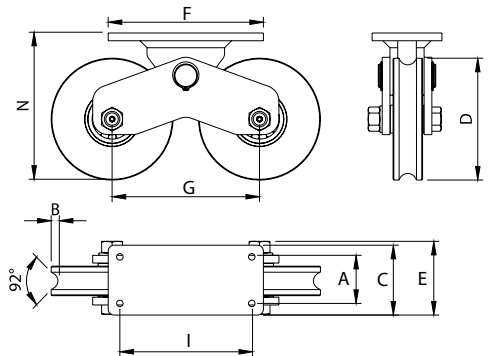
Max. Capacity kgs	B	D	N	R	Code
	mm	mm	mm	mm	
1200	10.0	117	170	10.5	0515W007

Mesh

Decking &
Subframe

Round Groove

To suit 20mm track



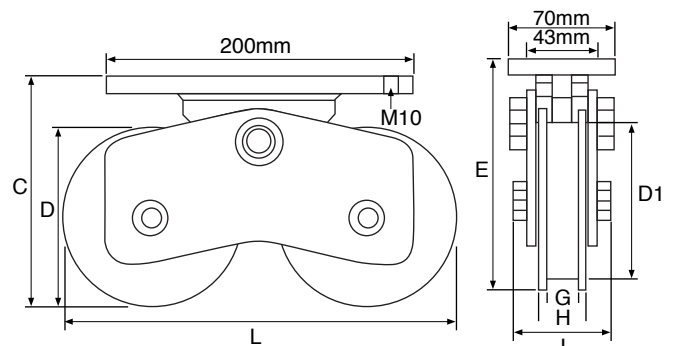
Max. Capacity kgs	A	B	C	D	N	R	E	F	G	I	Code
	mm										
1200	62	9.5	90	117	170	10.5	95	200	190	171	0515W009
1920	62	9.5	90	157	190	11.5	95	200	190	171	0515W010

Flooring &
Stair Treads

Handrailing

'U' Groove

To suit 20mm flat bar



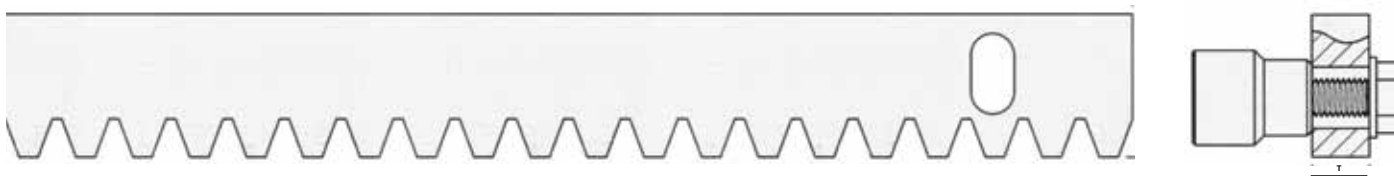
Max. Capacity kgs	D	D1	C	E	H	I	L	G	Code
	mm								
900	120	102	151	143	30	68	260	21	0515742120

Fencing

Fixings



Mod.4 Gate Rack



Drilled Rack



Height mm	Length mm	T mm	Code
30	1000	8	21CGZR

4 x Drilled Rack

With 12 weld-fix connections



Height mm	Length mm	T mm	Code
30	1000	12	21CGZRH

Drilled Rack

With 3 weld-fix connections



Height mm	Length mm	T mm	Code
30	1000	8	21CGZU

Drilled Rack

With 3 thread-fix connections



Height mm	Length mm	T mm	Code
30	1000	8	21CGZS

Accessories

Weld-Fix

Welding connection with screw



Code
21CGZW

Thread-Fix

Threaded connection with screw



Code
21CGZT

Support Bracket

Threaded connection with screw



Code
21CGZB

Mod.4 Gate Rack

To be welded to gates up to 1800kg



L mm	H mm	T mm	Code
1000	22	22	21CGZ
2000	22	22	21CGZ2

Galvanised.

Mod.6 Gate Rack

To be welded to gates up to 2200kg



L mm	H mm	T mm	Code
1000	30	30	21CGZ6

Galvanised.

Mod.4 Gate Rack

To bolt to gates up to 1200kg



L mm	H mm	T mm	Code
1000	20	20	21CGZP

Fibreglass with steel body.

Steel

Wrought Iron Components

Gate Hardware

Sliding Door Gear

Gate Automation

Mesh

Decking & Subframe

Flooring & Stair Treads

Handrailing

Fencing

Fixings

5 Wheel Support Roller

1



8 Wheel Support Roller

2



Track

3



Guide Roller

4



End Stop

5



Threaded Tie Rod

6



Plate

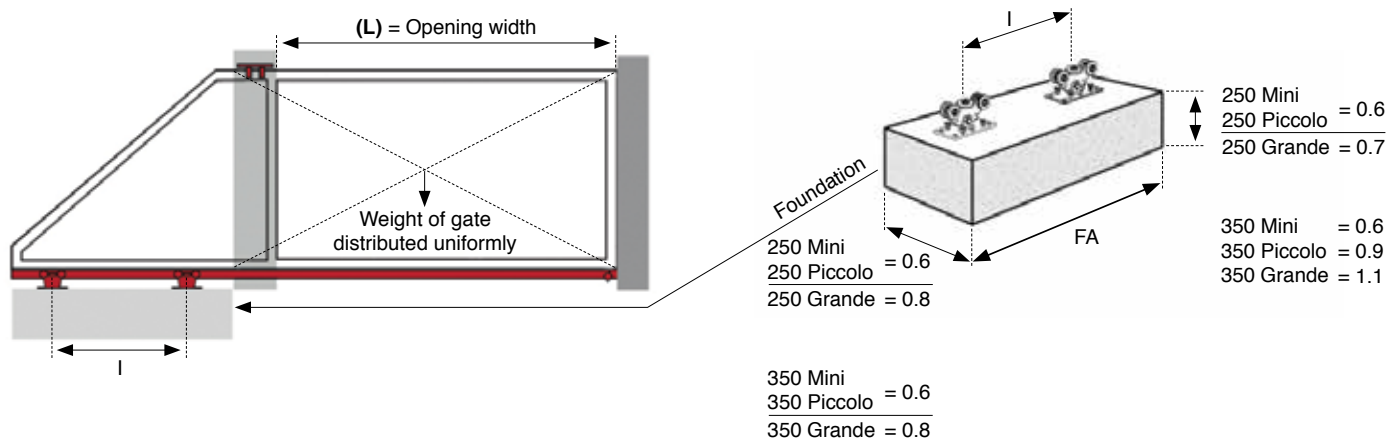
7



		Mini		Piccolo		Grande	
		250 Series Max. 3.5m, 350kg	350 Series Max. 7m, 500kg	250 Series Max. 4.5m, 600kg	350 Series Max. 8m, 800kg	250 Series Max. 7m, 650kg	350 Series Max. 16m, 1200kg
1	5 Wheel Support Roller	67CGS2505M	67CGS3505M	67CGS2505P	67CGS3505P	67CGS2505G	67CGS3505G
2	8 Wheel Support Roller	67CGS2508M	67CGS3508M	67CGS2508P	67CGS3508P	67CGS2508G	67CGS3508G
3	3 Metre Mild Steel Track	67CGS245M3	67CGS345M3	67CGS245P3	67CGS345P3	67CGS245G3	67CGS345G3
	6 Metre Mild Steel Track	67CGS245M6	67CGS345M6	67CGS245P6	67CGS345P6	67CGS245G6	67CGS345G6
	3 Metre Galvanised Track	67CGS245M3G	67CGS345M3G	67CGS245P3G	67CGS345P3G	67CGS245G3G	67CGS345G3G
	6 Metre Galvanised Track	67CGS245M6G	67CGS345M6G	67CGS245P6G	67CGS345P6G	67CGS245G6G	67CGS345G6G
4	Guide Roller	67CGS347M		67CGS347P		67CGS347G	
5	End Stop	67CGS346M		67CGS346P		67CGS346G	
6	Threaded Rod Tie	67CG348M16				67CG348M20	
7	Plate (4mm thickness)	67CG05P				67CG05G	

Component images are for illustration purposes. For images of specific stock codes and dimensioned drawings please refer to www.fhbrundle.co.uk

Technical Diagram



250 Series Technical Data

Mini 250 - 5 Wheel Series

(L) Gate Weight kg	(L) 2.0m		(L) 2.5m		(L) 3.0m		(L) 3.5m	
	FA m	I m	FA m	I m	FA m	I m	FA m	I m
75	0.90	0.30	1.00	0.40	1.10	0.50	1.20	0.60
100	1.00	0.40	1.10	0.50	1.20	0.60	1.40	0.80
125	1.20	0.60	1.30	0.70	1.40	0.80	1.60	1.00
150	1.30	0.70	1.50	0.90	1.70	1.10	1.90	1.30

Mini 250 - 8 Wheel Series

(L) Gate Weight kg	(L) 2.0m		(L) 2.5m		(L) 3.0m		(L) 3.5m	
	FA m	I m	FA m	I m	FA m	I m	FA m	I m
200	1.10	0.50	1.20	0.60	1.30	0.70	1.50	0.90
250	1.30	0.70	1.40	0.80	1.50	0.90	1.80	1.20
300	1.50	0.90	1.60	1.00	1.80	1.20	2.10	1.50
350	1.70	1.10	1.90	1.30	2.10	1.50	2.50	1.90

250 Series Technical Data

Piccolo 250 - 5 Wheel Series

(L) Gate Weight kg	(L) 2.5m		(L) 3.0m		(L) 3.5m		(L) 4.0m		(L) 4.5m	
	FA m	I m	FA m	I m	FA m	I m	FA m	I m	FA m	I m
-										
150	1.20	0.50	1.30	0.60	1.40	0.70	1.60	0.90	1.70	1.00
175	1.30	0.60	1.40	0.70	1.60	0.90	1.70	1.00	1.90	1.20
200	1.40	0.70	1.60	0.90	1.70	1.00	1.90	1.20	2.10	1.40
225	1.50	0.90	1.70	1.00	1.90	1.20	2.10	1.40	2.30	1.60
250	1.70	1.00	1.90	1.20	2.10	1.40	2.30	1.60	2.50	1.80

Grande 250 - 5 Wheel Series

(L) Gate Weight kg	(L) 5.0m		(L) 5.5m		(L) 6.0m		(L) 6.5m		(L) 7.0m	
	FA m	I m	FA m	I m	FA m	I m	FA m	I m	FA m	I m
-										
300	2.20	1.30	2.40	1.50	2.60	1.70	2.70	1.80	2.90	2.00
350	2.50	1.60	2.70	1.80	2.90	2.00	3.10	2.20	3.30	2.40
400	2.70	1.80	3.00	2.10	3.20	2.30	2.60	2.60	3.70	2.80
450	3.10	2.20	3.30	2.40	3.60	2.70	3.90	3.00	4.20	3.30

350 Series Technical Data

Mini 350 - 5 Wheel Series

(L) Gate Weight kg	(L) 3.0m		(L) 3.5m		(L) 4.0m		(L) 4.5m		(L) 5.0m	
	FA m	I m	FA m	I m	FA m	I m	FA m	I m	FA m	I m
-										
100	1.30	0.40	1.50	0.50	1.50	0.60	1.60	0.70	1.70	0.80
125	1.50	0.60	1.60	0.70	1.70	0.80	1.80	0.90	1.90	1.00
150	1.60	0.70	1.70	0.80	1.80	0.90	2.00	1.10	2.10	1.20
175	1.80	0.90	1.90	1.00	2.00	1.20	2.20	1.30	2.40	1.50
200	1.90	1.00	2.10	1.20	2.30	1.40	2.50	1.60	2.70	1.80
225	2.10	1.20	2.30	1.40	2.50	1.70	2.80	1.90	3.00	2.10
250	2.40	1.50	2.60	1.70	2.90	2.00	3.10	2.20	3.40	2.50

Piccolo 350 - 5 Wheel Series

(L) Gate Weight kg	(L) 4.0m		(L) 5.0m		(L) 6.0m		(L) 7.0m		(L) 8.0m	
	FA m	I m	FA m	I m	FA m	I m	FA m	I m	FA m	I m
-										
250	1.70	1.00	2.00	1.30	2.30	1.60	2.70	2.00	3.10	2.40
275	1.80	1.10	2.20	1.50	2.50	1.80	2.90	2.20	3.30	2.60
300	2.00	1.30	2.30	1.60	2.70	2.00	3.20	2.50	3.60	3.00
325	2.10	1.40	2.50	1.80	3.00	2.30	3.50	2.80	4.00	3.30
350	2.30	1.60	2.70	2.00	3.20	2.50	3.80	3.10	4.40	3.70
375	2.50	1.80	3.00	2.30	3.50	2.80	4.10	3.40	4.80	4.10
400	2.70	2.00	3.20	2.50	3.80	3.10	4.50	3.80	5.20	4.60

Grande 350 - 5 Wheel Series

(L) Gate Weight kg	(L) 6.0m		(L) 7.0m		(L) 8.0m		(L) 9.0m		(L) 10.0m	
	FA m	I m	FA m	I m	FA m	I m	FA m	I m	FA m	I m
-										
400	2.20	1.30	2.50	1.60	2.80	1.90	3.10	2.20	3.50	2.60
450	2.40	1.50	2.70	1.80	3.00	2.10	3.40	2.50	3.80	2.90
500	2.60	1.70	2.90	2.00	3.30	2.40	3.70	2.80	4.10	3.20
550	2.80	1.90	3.20	2.30	3.60	2.70	4.00	3.10	4.50	3.60
600	3.00	2.10	3.40	2.50	3.90	3.00	4.40	3.50	4.90	4.00
650	3.20	2.40	3.70	2.80	4.20	3.30	4.80	3.90	5.40	4.50
700	3.50	2.60	4.00	3.10	4.60	3.70	5.20	4.30	5.90	5.00

Piccolo 250 - 8 Wheel Series

(L) Gate Weight kg	(L) 2.5m		(L) 3.0m		(L) 3.5m		(L) 4.0m		(L) 4.5m	
	FA m	I m	FA m	I m	FA m	I m	FA m	I m	FA m	I m
-										
400	1.40	0.70	1.50	0.90	1.70	1.00	1.80	1.10	1.90	1.20
450	1.60	0.90	1.70	1.00	1.80	1.10	2.00	1.30	2.10	1.40
500	1.70	1.00	1.80	1.20	2.00	1.30	2.20	1.50	2.30	1.60
550	1.80	1.10	2.00	1.30	2.20	1.50	2.40	1.70	2.60	1.90
600	2.00	1.30	2.20	1.50	2.40	1.70	2.60	1.90	2.90	2.20

Grande 250 - 8 Wheel Series

(L) Gate Weight kg	(L) 5.0m		(L) 5.5m		(L) 6.0m		(L) 6.5m		(L) 7.0m	
	FA m	I m	FA m	I m	FA m	I m	FA m	I m	FA m	I m
-										
500	1.90	1.00	2.00	1.10	2.10	1.20	2.30	1.40	2.40	1.50
550	2.00	1.10	2.10	1.20	2.30	1.40	2.40	1.50	2.50	1.60
600	2.10	1.20	2.30	1.40	2.40	1.50	2.60	1.70	2.70	1.80
650	2.30	1.40	2.40	1.50	2.60	1.70	2.70	1.80	2.90	2.00

Mini 350 - 8 Wheel Series

Gate Weight kg	(L) 3.0m		(L) 4.0m		(L) 5.0m		(L) 6.0m		(L) 7.0m	
	FA m	I m	FA m	I m	FA m	I m	FA m	I m	FA m	I m
-										
100	1.10	0.20	1.20	0.30	1.20	0.30	1.30	0.40	1.40	0.50
150	1.20	0.30	1.30	0.40	1.40	0.50	1.50	0.60	1.60	0.70
200	1.30	0.40	1.40	0.50	1.60	0.70	1.70	0.80	1.90	1.00
250	1.40	0.50	1.60	0.70	1.80	0.90	1.90	1.00	2.10	1.20
300	1.50	0.60	1.70	0.90	2.00	1.10	2.20	1.30	2.40	1.50
350	1.70	0.80	1.90	1.00	2.20	1.30	2.50	1.60	2.80	1.90
400	1.90	1.00	2.20	1.30	2.50	1.60	2.80	1.90	3.10	2.20
450	2.00	1.10	2.40	1.50	2.80	1.90	3.20	2.30	3.60	2.70
500	2.30	1.40	2.70	1.80	3.10	2.20	3.60	2.70	4.10	3.20

Piccolo 350 - 8 Wheel Series

(L) Gate Weight kg	(L) 4.0m		(L) 5.0m		(L) 6.0m		(L) 7.0m		(L) 8.0m	
	FA m	I m	FA m	I m	FA m	I m	FA m	I m	FA m	I m
-										
400	1.40	0.70	1.60	0.90	1.70	1.00	1.90	1.20	2.10	1.40
450	1.50	0.80	1.70	1.00	1.90	1.20	2.10	1.40	2.30	1.60
500	1.60	0.90	1.80	1.10	2.10	1.40	2.30	1.60	2.60	1.90
550	1.70	1.00	2.00	1.30	2.20	1.50	2.50	1.80	2.80	2.10
600	1.80	1.10	2.10	1.40	2.40	1.70	2.70	2.00	3.00	2.40
650	2.00	1.30	2.30	1.60	2.60	1.90	3.00	2.30	3.30	2.60
700	2.10	1.40	2.50	1.80	2.80	2.10	3.20	2.50	3.60	2.90
750	2.30	1.60	2.70	2.00	3.10	2.40	3.50	2.80	3.90	3.30
800	2.40	1.80	2.90	2.20	3.30	2.60	3.80	3.10	4.30	3.60

Grande 350 - 8 Wheel Series

(L) Gate Weight kg	(L) 8.0m		(L) 10.0m		(L) 12.0m		(L) 14.0m		(L) 16.0m	
	FA m	I m	FA m	I m	FA m	I m	FA m	I m	FA m	I m
-										
800	2.40	1.50	2.80	1.90	3.30	2.40	3.80	2.90	4.40	3.50
850	2.50	1.60	2.90	2.00	3.40	2.50	4.00	3.10	4.60	3.70
900	2.60	1.70	3.10	2.20	3.60	2.70	4.20	3.30	4.90	4.00
950	2.70	1.80	3.20	2.30	3.80	2.90	4.40	3.50	5.10	4.20
1000	2.80	1.90	3.30	2.50	4.00	3.10	4.60	3.70	5.30	4.40
1050	2.90	2.00	3.50	2.60	4.10	3.20	4.80	3.90	5.60	4.70
1100	3.00	2.10	3.70	2.80	4.30	3.40	5.10	4.20	5.90	5.00
1150	3.20	2.30	3.80	2.90	4.50	3.60	5.30	4.40	6.20	5.30
1200	3.30	2.40	4.00	3.10	4.70	3.80	5.60	4.70	6.50	5.60

Steel

Wrought Iron Components

Gate Hardware

Sliding Door Gear

Gate Automation

Mesh

Decking & Subframe

Flooring & Stair Treads

Handrailing

Fencing

Fixings

5 Wheel Support Roller

1



Track

2



Guide Roller

3



End Stop

4



Fixing Bolts

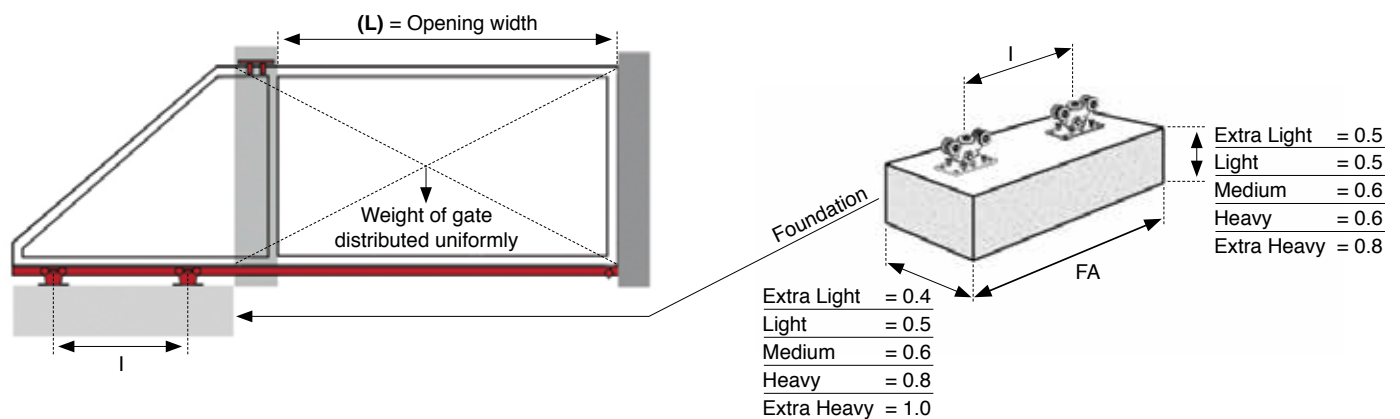
5



		Extra Light	Light	Medium	Heavy
		5 Wheel Series Max. 4m, 300kg	5 Wheel Series Max. 7m, 450kg	5 Wheel Series Max. 10m, 800kg	5 Wheel Series Max. 14m, 1200kg
1	5 Wheel Support Roller	3900810	3901910	39021010	39032010
2	3 Metre Mild Steel Track	–	3901P533	3902P753	3903P100LM3
	6 Metre Mild Steel Track	3900P44	3901P53	3902P75	3903P100LM
2	3 Metre Galvanised Track	–	3901P53Z3	3902P75Z3	3903P100LMZ3
	6 Metre Galvanised Track	3900P44Z6	3901P53Z6	3902P75Z6	3903P100LMZ
3	Guide Roller	3900820	3901920	39021020	39032020
4	End Stop	3900830	3901930	39021030	39032030
5	Fixing Bolts	3900840	3901940	39021040	

Component images are for illustration purposes. For images of specific stock codes and dimensioned drawings please refer to www.fhbrundle.co.uk

Technical Diagram



Extra Light 5 Wheel Series

(L) Gate Weight kg	(L) 2.0m		(L) 2.5m		(L) 3.0m		(L) 3.5m		(L) 4.0m	
	FA m	I m	FA m	I m	FA m	I m	FA m	I m	FA m	I m
–	1.245	0.745	1.400	0.900	1.580	1.080	1.750	1.250	1.900	1.400
200	1.600	1.100	1.850	1.350	2.100	1.600	2.350	1.850	2.600	2.100
300	2.150	1.650	2.550	2.050	2.900	2.400	3.300	2.800	3.650	3.150

Light 5 Wheel Series

(L) Gate Weight kg	(L) 3m		(L) 4m		(L) 5m		(L) 6m	
	FA m	I m	FA m	I m	FA m	I m	FA m	I m
–								
300	1.600	1.000	1.900	1.300	2.200	1.600	2.500	1.900
350	1.900	1.300	2.300	1.700	2.700	2.100	3.100	2.500
400	2.300	1.700	2.800	2.200	3.300	2.700	3.800	3.200
450	2.800	2.200	3.400	2.800	4.050	3.450	4.700	4.100
500	3.45	2.850	4.250	3.650	5.100	4.500	5.950	5.350

Medium 5 Wheel Series

(L) Gate Weight kg	(L) 4m		(L) 5m		(L) 6m		(L) 7m		(L) 8m		(L) 9m	
	FA m	I m	FA m	I m	FA m	I m	FA m	I m	FA m	I m	FA m	I m
–												
600	2.500	1.800	2.900	2.200	3.300	2.600	3.700	3.000	4.100	3.400	4.500	3.800
650	2.800	2.100	3.250	2.550	3.750	3.050	4.200	3.500	4.650	3.950	5.100	4.400
700	3.150	2.450	3.650	2.950	4.200	3.500	4.750	4.050	5.300	4.600	5.850	5.150
750	3.550	2.850	4.150	3.450	4.800	4.100	5.400	4.700	6.050	5.350	6.650	5.950
800	4.000	3.300	4.700	4.000	5.450	4.750	6.150	5.450	6.900	6.200	7.650	6.950
850	4.550	3.850	5.400	4.700	6.250	5.550	7.100	6.400	7.950	7.250	8.800	8.100

Heavy 5 Wheel Series

(L) Gate Weight kg	(L) 7m		(L) 8m		(L) 9m		(L) 10m		(L) 11m		(L) 12m	
	FA m	I m	FA m	I m	FA m	I m	FA m	I m	FA m	I m	FA m	I m
–												
800	3.450	2.550	3.750	2.850	4.100	3.200	4.450	3.550	4.750	3.850	5.100	4.200
900	4.000	3.100	4.400	3.500	4.800	3.900	5.250	4.350	5.650	4.750	6.050	5.150
1000	4.700	3.800	5.200	4.300	5.700	4.800	6.200	5.300	6.700	5.800	7.200	6.300
1100	5.550	4.650	6.150	5.250	6.750	5.850	7.350	6.450	8.000	7.100	8.600	7.700
1200	6.600	5.700	7.350	6.450	8.100	7.200	8.850	7.950	9.600	8.700	10.350	9.450

For our range of cantilever gates see page 680.

FREE* DELIVERY on orders over £150!



*Within our standard area and elsewhere at cost.

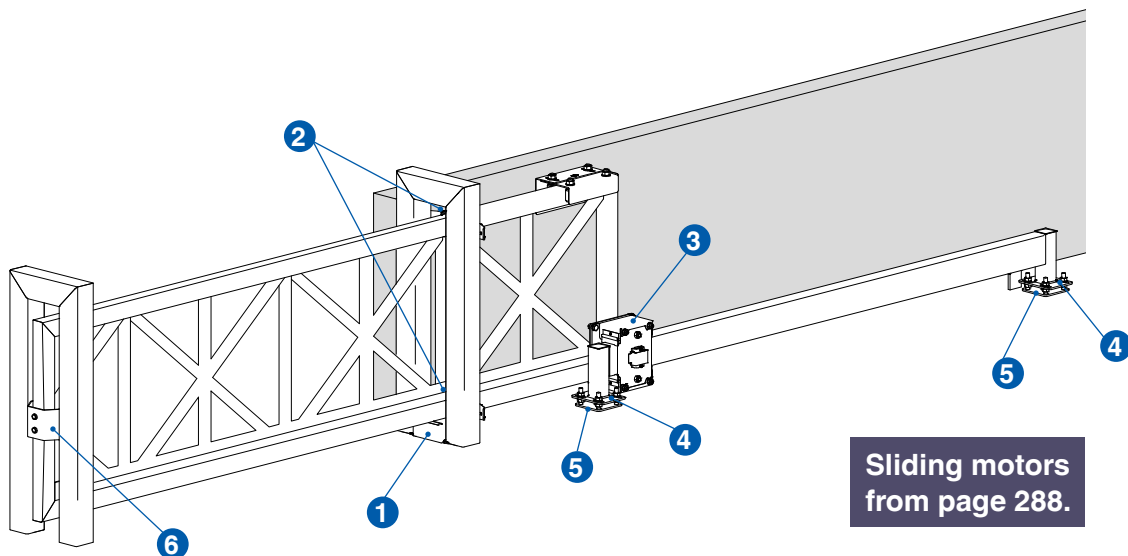
Guardian Cantilever Gate Kits



- Steel
- Wrought Iron Components
- Gate Hardware
- Sliding Door Gear
- Gate Automation
- Mesh
- Decking & Subframe
- Flooring & Stair Treads
- Handrailing
- Fencing
- Fixings



- Compact
- Quick & easy to install
- Up to 12m opening
- For use with a sliding motor



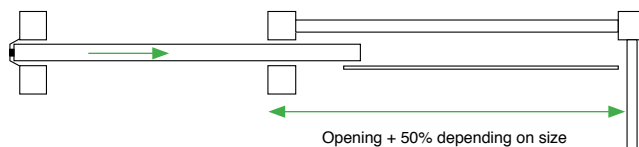
Scan here for installation guide.

Sliding motors from page 288.

Component List

1 Surface Rollers	2 Guide Rollers	3 Back Rollers	4 Fixing Templates	6 Front Strikes
				

Guardian Kits



Description	Max Opening m	Code
Kit 1. For standard cantilever gates	6	39GCK06
Kit 2. For heavy duty cantilever gates	12	39GCK12

RHS

For use with code: **39GCK06**



Size mm	Code
100 x 50 x 3	3005100503

RHS

For use with code: **39GCK12**



Size mm	Code
150 x 100 x 5	30051501005

We always recommend that adequate safety equipment is installed. See page 307.



- Double hinged kits to reduce the swinging arc of each gate leaf
- For gate openings with limited space
- Cost effective
- Perfect for use with our wrought iron component range
- Suitable for driveways with a steep incline or on a hill with slope up to the property



Scan here for installation guide.



Fabricate your own gate using our wrought iron components from page 18.

Component List

1 Latch & Catch



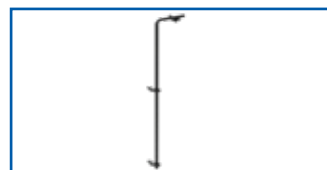
2 Gate Hook & Eye With Security Collar



3 Bi-Fold Hinge



4 Drop Bar, Guide & Holder



Bi-Fold Hinge Kit
12 & 16mm

Drop Bar Set
12, 16 & 20mm



Size mm	Left Hand Kit Code	Right Hand Kit Code
12	079012L	079012R
16	079016L	079016R

Kit comes with 2 x hinge sets and 1 x security collar. Gate not supplied.

Size mm	Height mm	Code
12	600	058820
16	602	058821
20	604	058822

Set comes with 1 x drop bar, 2 x drop bar guides and 1 x holder. Gate not supplied.

We always recommend that adequate safety equipment is installed. See page 307.

Bi-Folding Gate Kits



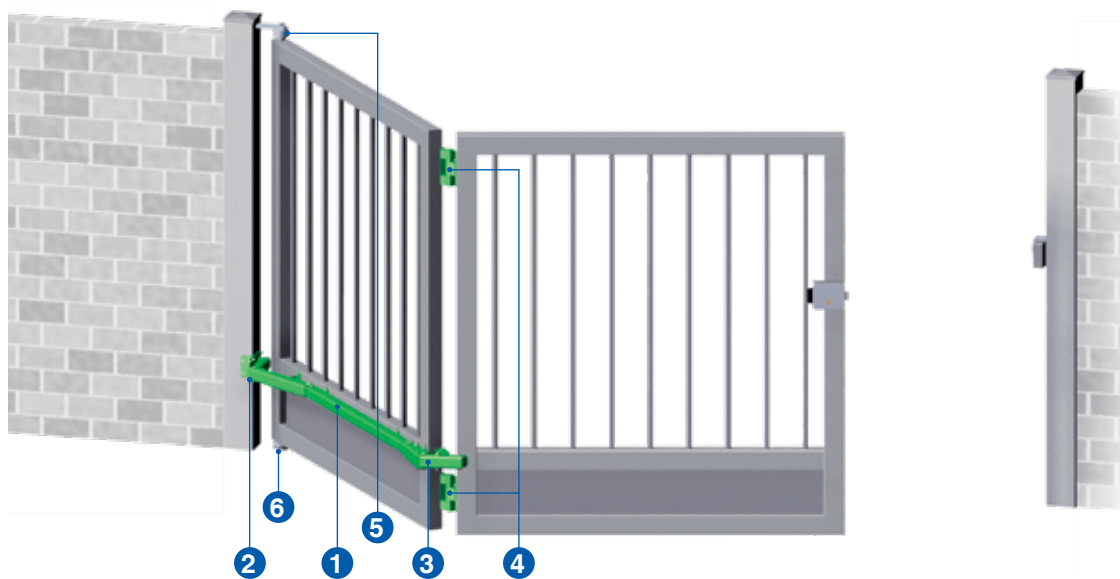
- Steel
- Wrought Iron Components
- Gate Hardware
- Sliding Door Gear
- Gate Automation
- Mesh
- Decking & Subframe
- Flooring & Stair Treads
- Handrailing
- Fencing
- Fixings



With limited space in residential housing, the bi-folding gate kit is the ideal solution.



- Compact
- Quick & easy to install
- Max opening single leaf 5m & double leaf 10m
- For use with arm or underground automation



Scan here for installation guide.

Component List

- | | | | | | |
|--------------------------|-----------------------|---------------------|---|--------------------|-----------------------|
| 1 Central Profile | 2 Column Joint | 3 Leaf Joint | 4 Hinges
<small>Sold in pairs</small> | 5 Top Pivot | 6 Bottom Pivot |
| | | | | | |

Kit 1
For single leaf gates

2 leaf parameters - 1.9m minimum up to 5m maximum.

Kit 2
For double leaf gates

4 leaf parameters - 3.8m minimum up to 10m maximum.

Code
39BFKIT1

Code
39BFKIT2

Kit 1 comes with 1 x each of the components listed above.

Kit 2 comes with 2 x each of the components listed above.

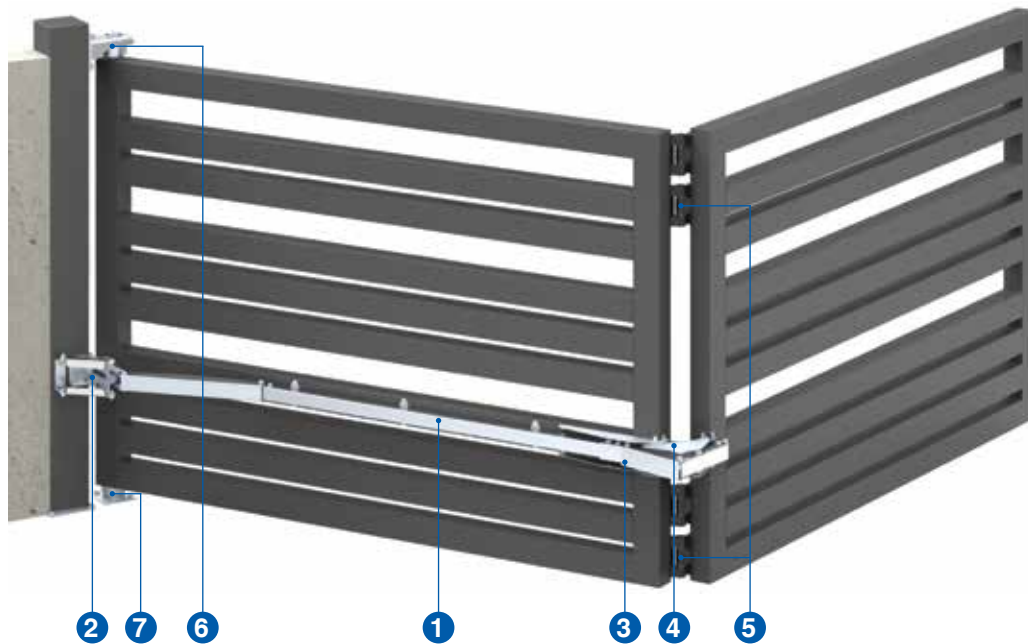
We always recommend that adequate safety equipment is installed. See page 307.

For our full range of gate automation see page 288.



- Suitable for heavy duty gates up to 400kg
- Quick & easy to install

- Max opening single leaf 8m & double leaf 16m
- For use with arm or underground automation



Scan here for installation guide.

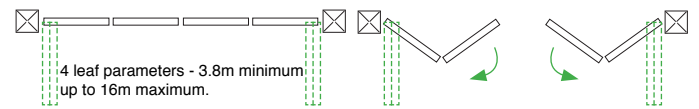
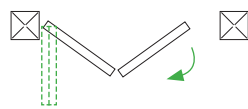
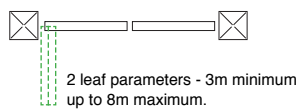


Component List

1 Central Profile	2 Column Joint	3 Leaf Joint	4 Protective Carter	5 Hinges Sold in fours	6 Upper Hinge	7 Bottom Hinge

Kit 1
For single leaf gates

Kit 2
For double leaf gates



Code
39BFHDKIT1

Code
39BFHDKIT2

Kit 1 comes with 1 x each of the components listed above.

Kit 2 comes with 2 x each of the components listed above.

We always recommend that adequate safety equipment is installed. See page 307.

For our full range of gate automation see page 288.

Telescopic Sliding Gate Kits

For openings up to 11.4m



Standard telescopic gate kits allow for a much smaller space adjacent to the opening of the gate. For use with arm or underground motors. See page 290.

Standard Telescopic Gate Kits

For standard cantilever gate

Description	Max Opening m	Code
2 Leaf	4.0	39TK2004
2 Leaf	8.0	39TK2008
2 Leaf	11.4	39TK2114

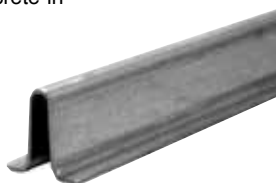
Gate rollers and tracks not included. See from page 264 for all required accessories.



We always recommend that adequate safety equipment is installed. See page 307.

16mm Round Grooved Track

Concrete-in



Length m	Code
3	05GD616Z3

Galvanised.

Central Profile



Length m	Profile mm	Code
1.9	40 x 40 x 2	39BF0219

Upper Guide Roller



Ø mm	Length mm	Thread mm	Code
40	60	41 x M16	05GD118

Nylon.

Round Grooved Wheel

For 16mm track



Capacity kgs	Ø mm	Code
200	60	0515060

MARANO®

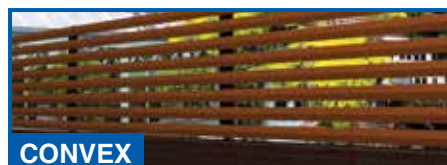
LIGHT • STYLE • VISION

Aluminium fence boards - Modern gate solutions



- 6 superb styles to choose from
- Single or double sided option
- Fencing kits available

For full details of the Marano® fencing range see page 602.



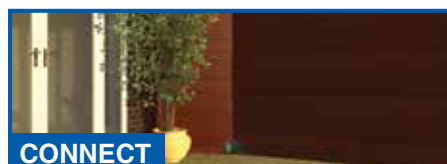
CONVEX



STRIPE



ELEMENTS



CONNECT



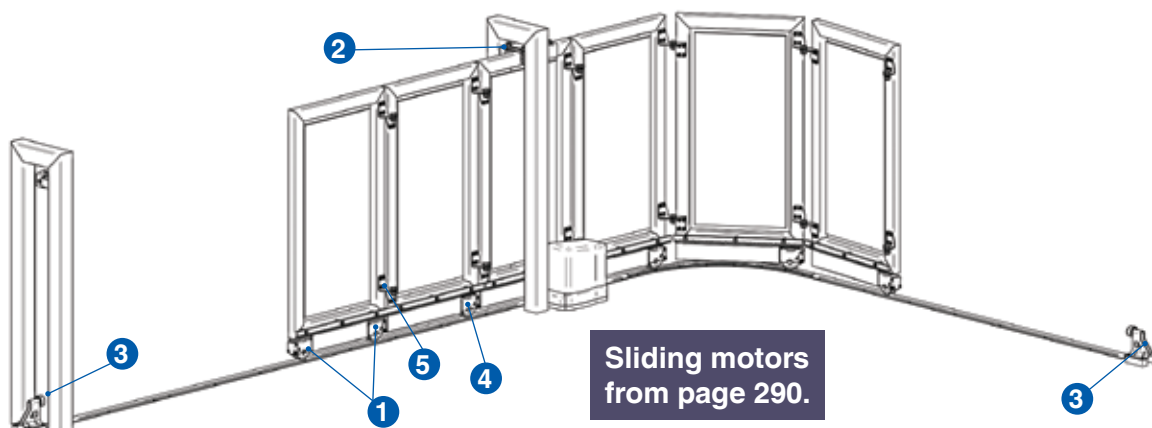
PARALLEL



BREEZE



- Compact
- Quick & easy to install
- Leaf weight 15 - 100kg. Maximum gate weight 500kg
- To suit 40 - 80mm box section
- For use with a sliding motor
- Full installation instructions online



Scan here for installation guide.



Sliding Gate Kit List

- 1 Wheels
- 2 Upper Guide Plate



Sliding Gate Kit



Code
39RK01

For use with main leaf. Supplied with 2 x wheels, 1 x upper guide plate and 2 x limit stops.

16mm Bolt-Down Round Grooved Track



Length m	Code
3	05GD716Z3

Galvanised.

Follow On Gate Kit List

- 3 Limit Stops
- 4 360° Rotating Wheel
- 5 Hinges



Sliding Gate Follow On Kit



Code
39RK02

For use with secondary leaves. Supplied with 1 x rotating wheel and 2 x hinges.

16mm Curved Rail



Ø mm	Radius m	Code
16	0.5	39RCR1605
16	1.0	39RCR1610

Galvanised.

We always recommend that adequate safety equipment is installed. See page 307.