

Icons

Throughout this section there are various icons to help you with your product selection.

∅ Diameter



Technical information that can be found on our website



Scan for more information

Sliding Door Gear





Index

Accessories.....	286
Series 41K075.....	282
Series 41K150.....	283
Series 41K300.....	284
Series 41K500.....	285

Sliding Door Gear
website section



Series 41K075

Maximum door weight 75kg



- Steel
- Wrought Iron Components
- Gate Hardware
- Sliding Door Gear
- Gate Automation
- Mesh
- Decking & Subframe
- Flooring & Stair Treads
- Handrailing
- Fencing
- Fixings



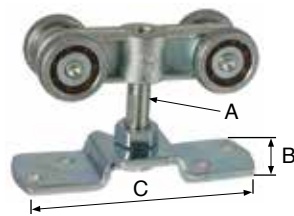
Track



Length m	Code
2	41K0752
3	41K0753

H 27 x W 30. Thickness 1.5mm.

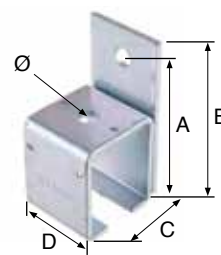
Hanger



A mm	B mm	C mm	Code
M8 x 40	25	80	41PP075

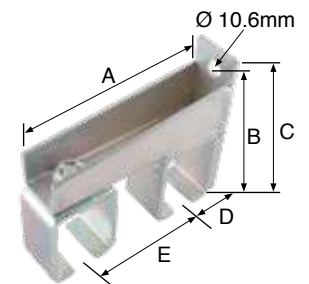
Suitable for metal & timber doors.

Face Fix Bracket



A mm	B mm	C mm	D mm	Ø mm	Code
46	52	36	30	6	41SKU075

Double Face Fix Bracket



A mm	B mm	C mm	D mm	E mm	Code
83	44	50	20	35 - 50	41SK2075

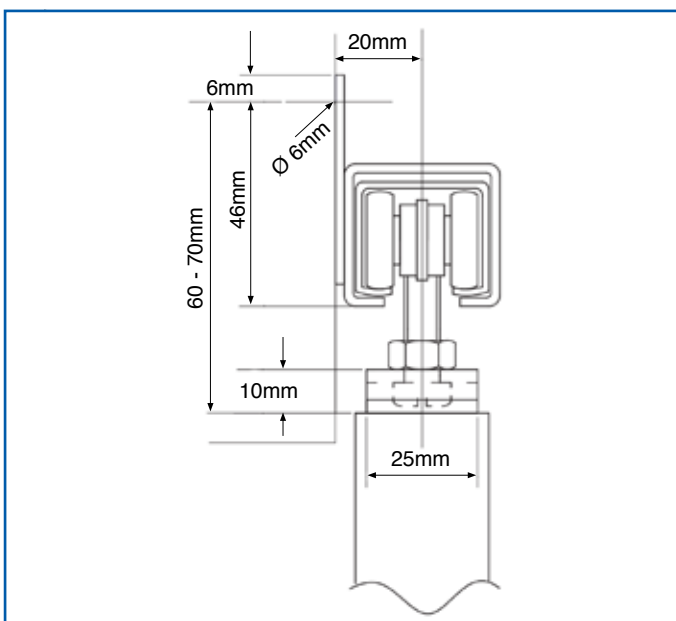
Adjustable.

End Clip

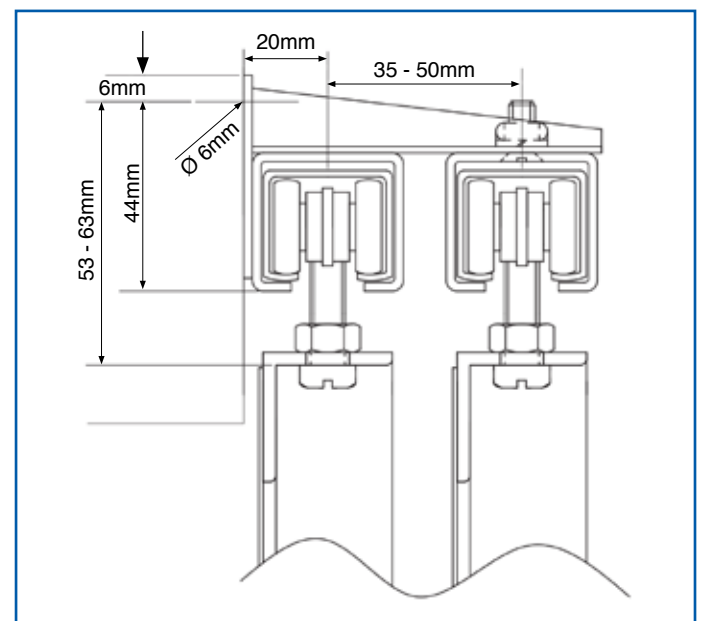


Code
41PK075

Scan here for a guide to component quantities needed for Series 41K075, 41K150, 41K300 & 41K500.



Example: timber door on a single track.



Example: two metal doors on a double track.

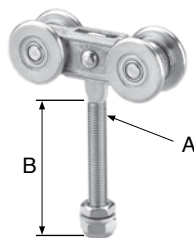
Track



Length m	Code
2	41K1502
3	41K1503

H 47 x W 36. Thickness 2mm.

Hanger



A mm	B mm	Code
M10	70	41MP150

For use on metal doors.

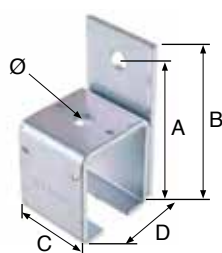
Curtain Hanger



Code
41VP2150

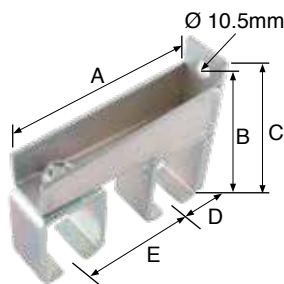
Hook Ø 7mm. Maximum loading 50kg

Face Fix Bracket



A mm	B mm	C mm	D mm	Ø mm	Code
68	82	49	30	10.5	41SK151

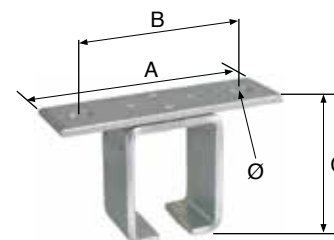
Double Face Fix Bracket



A mm	B mm	C mm	D mm	E mm	Code
120	95	108	27	55 - 75	41SK152

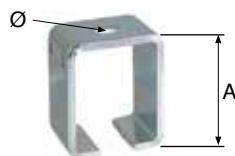
Adjustable.

Soffit Fix Bracket



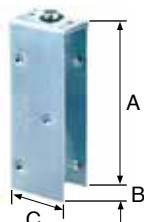
A mm	B mm	C mm	Ø mm	Code
100	75	60	10.5	41KKK151

Bracket Body



A mm	Ø mm	Code
56	10.5	41KK151

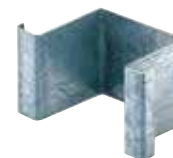
Timber Door Plate



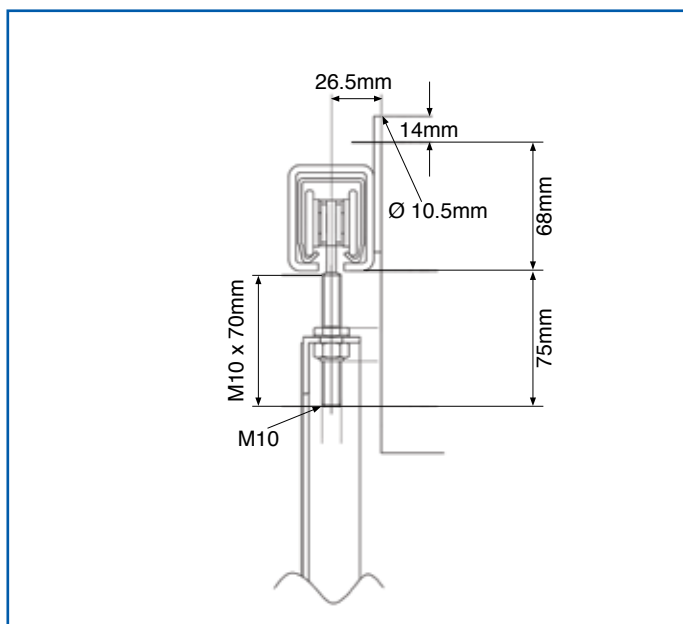
A mm	B mm	C mm	Code
152	30 - 42	57	41PP150

Adjustable to suit various door thicknesses.

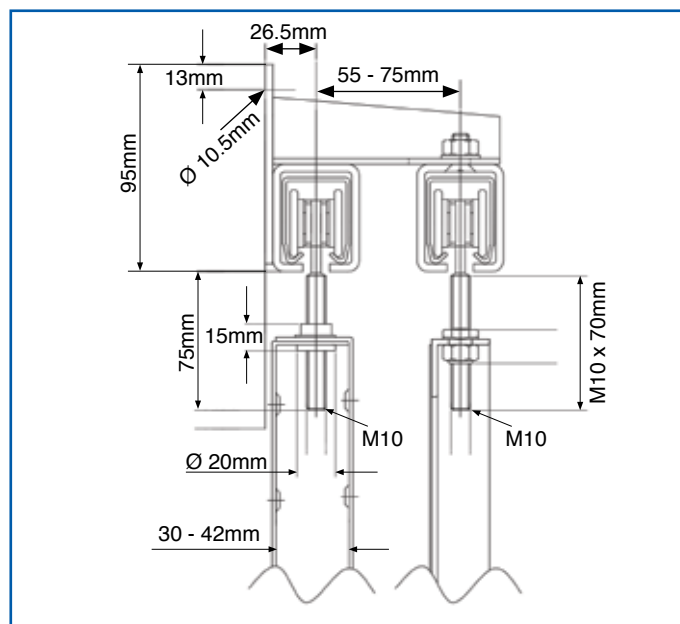
End Clip



Code
41PK151



Example: metal door on a single track.



Example: timber door and metal door on a double track.

Series 41K300

Maximum door weight 300kg



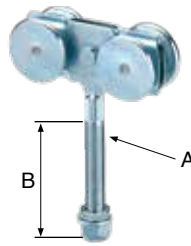
Track



Length m	Code
2	41K3002
3	41K3003

H 65 x W 55. Thickness 2mm.

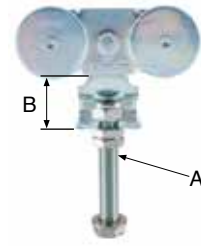
Hanger



A mm	B mm	Code
M16	100	41MP300

For use on metal doors.

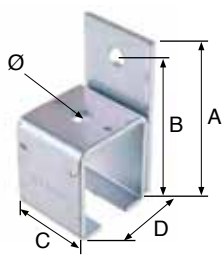
Hanger



A mm	B mm	Code
M16 x 100	40	41MPS300

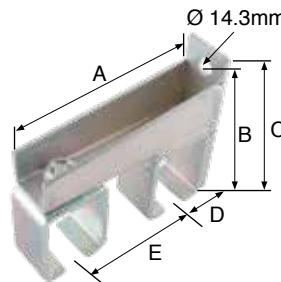
For steel fire doors. Bearing to withstand temperatures of up to 300°.

Face Fixing Side Wall Bracket



A mm	B mm	C mm	D mm	Ø mm	Code
130	108	60	71	14.3	41SK301

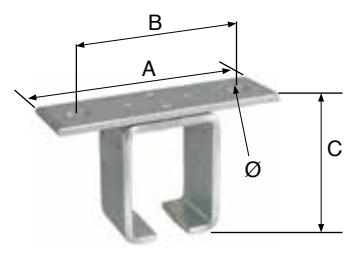
Double Face Fixing Side Wall Bracket



A mm	B mm	C mm	D mm	E mm	Code
190	106	130	38	80 - 120	41SK302

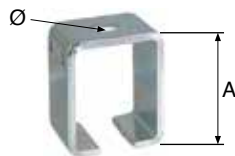
Adjustable.

Bracket



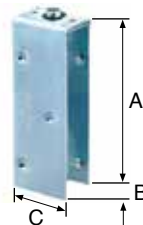
A mm	B mm	C mm	Ø mm	Code
165	120	81	14.3	41KKK301

Bracket Body



A mm	Ø mm	Code
76	13	41KK301

Timber Door Plate



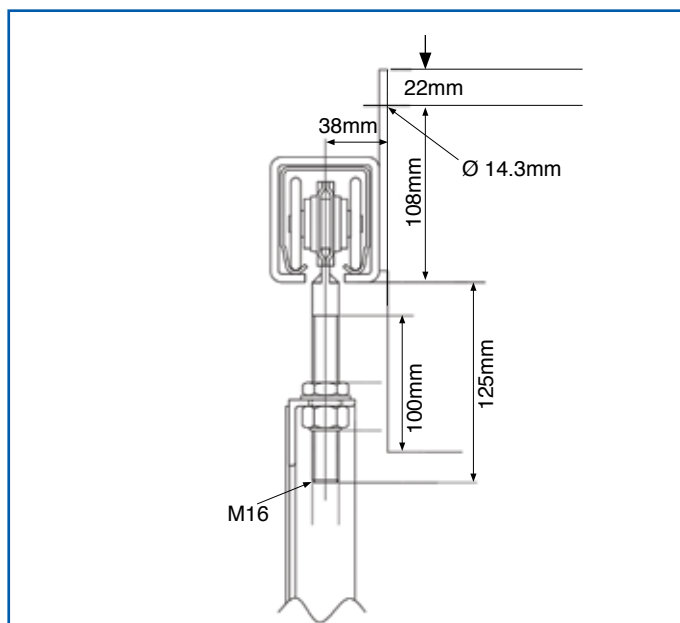
A mm	B mm	C mm	Code
170	44 - 58	75	41PP300

Adjustable to suit various door thicknesses.

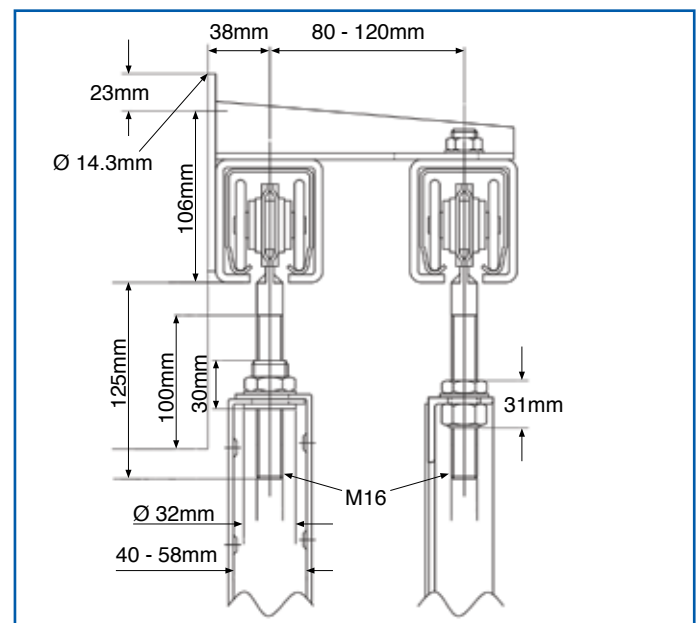
End Clip



Code
41PK300



Example: metal door on a single track.



Example: timber door and metal door on a double track.

Stainless Steel Kit For Glass Doors



- Satin polish stainless steel Grade 304
- Overall rail length 2000mm
- Max door width 1000mm
- Max door weight 90kg
- For glass thickness 8 – 12mm
- Additional door handles available (*see bottom of page*)

Code
41001

Kit contains: 1 x sliding rail, 2 x sliding door rollers, 4 x wall brackets, 1 x floor guide, 2 x door stops & 2 x end caps.

Mild Steel Kit For Solid Doors



- Mild steel black powder coated
- Overall rail length 2000mm
- Max door width 1000mm
- Max door weight 90kg
- Anti-jump block
- Floor guide suitable for 20 x 7mm groove

Code
41003

Kit contains: 1 x sliding rail, 2 x sliding door rollers, 5 x clamp fixings for track, 1 x floor guide, 2 x door stops & 2 x anti-jump blocks.

Stainless Steel Door Handles

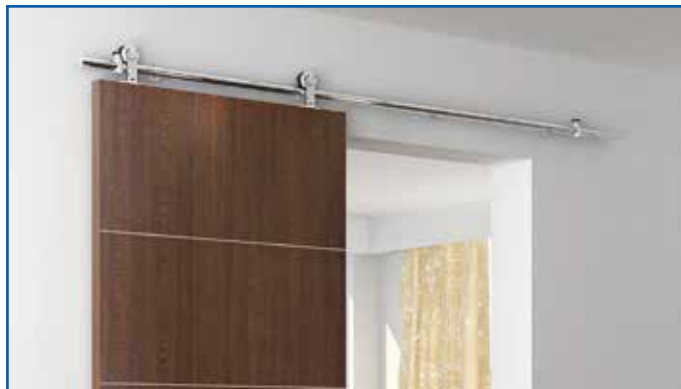


Satin polish stainless steel Grade 304. Suitable for glass or wooden doors. Supplied in pairs.

Length mm	Code
400	4100H

Suitable for codes: **41001** & **41002**.

Stainless Steel Kit For Solid Doors

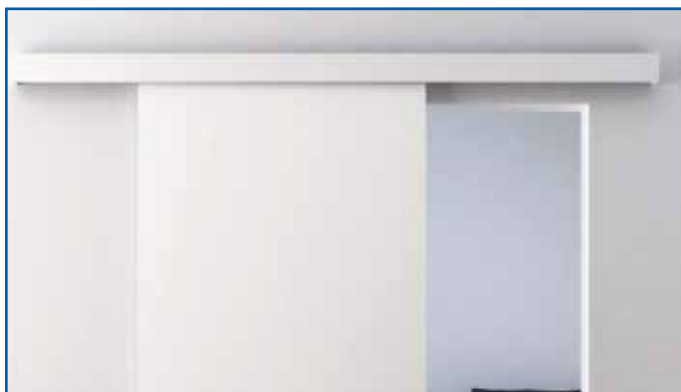


- Satin polish stainless steel Grade 304
- Overall rail length 2000mm
- Max door width 1000mm
- Max door weight 80kg
- Additional door handles available (*see below*)

Code
41002

Kit contains: 1 x sliding rail, 2 x sliding door rollers, 4 x wall brackets, 1 x floor guide, 2 x door stops & 2 x end caps.

With Pelmet For Wooden Doors



- Overall rail length 2000mm
- Max door width 1000mm
- Max door weight 60kg

Code
41004

Kit contains: 1 x aluminium track, 2 x sliding door rollers, 5 x connectors, 1 x nylon floor guide, 2 x nylon door stops, 1 x plywood cover, plywood end cap.

Scan here to select your installation guide.



Steel

Wrought Iron Components

Gate Hardware

Sliding Door Gear

Gate Automation

Mesh

Decking & Subframe

Flooring & Stair Treads

Handrailing

Fencing

Fixings