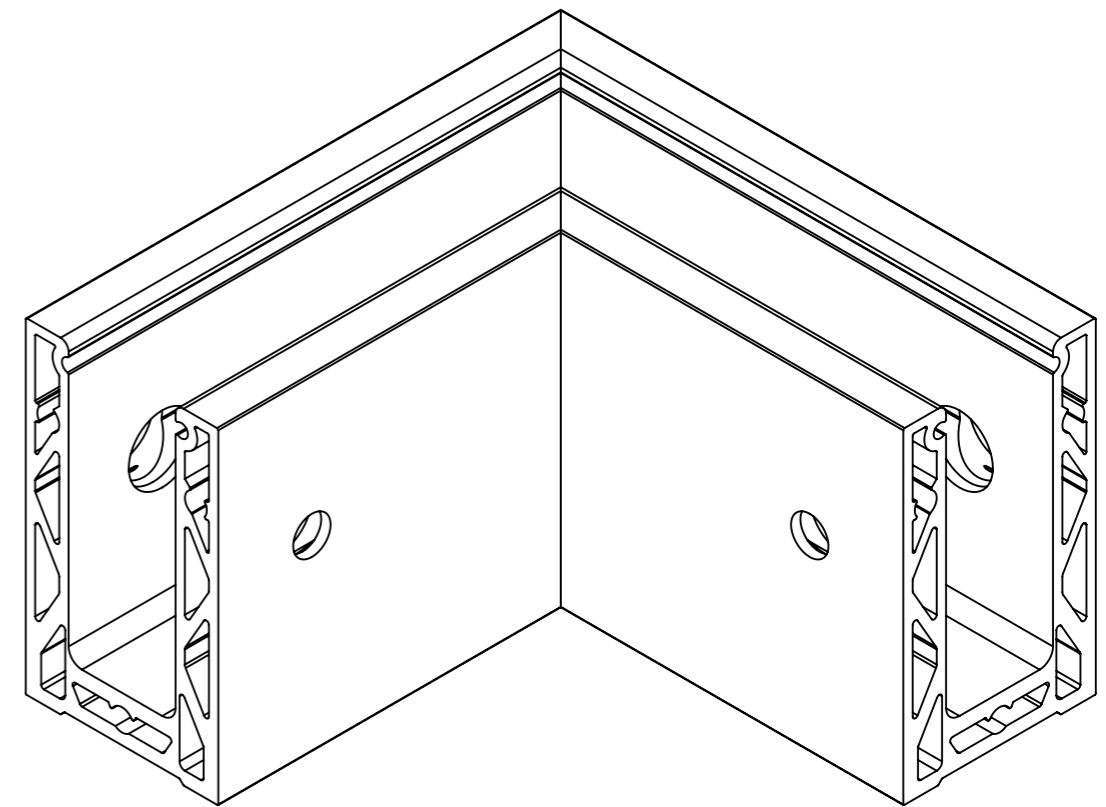
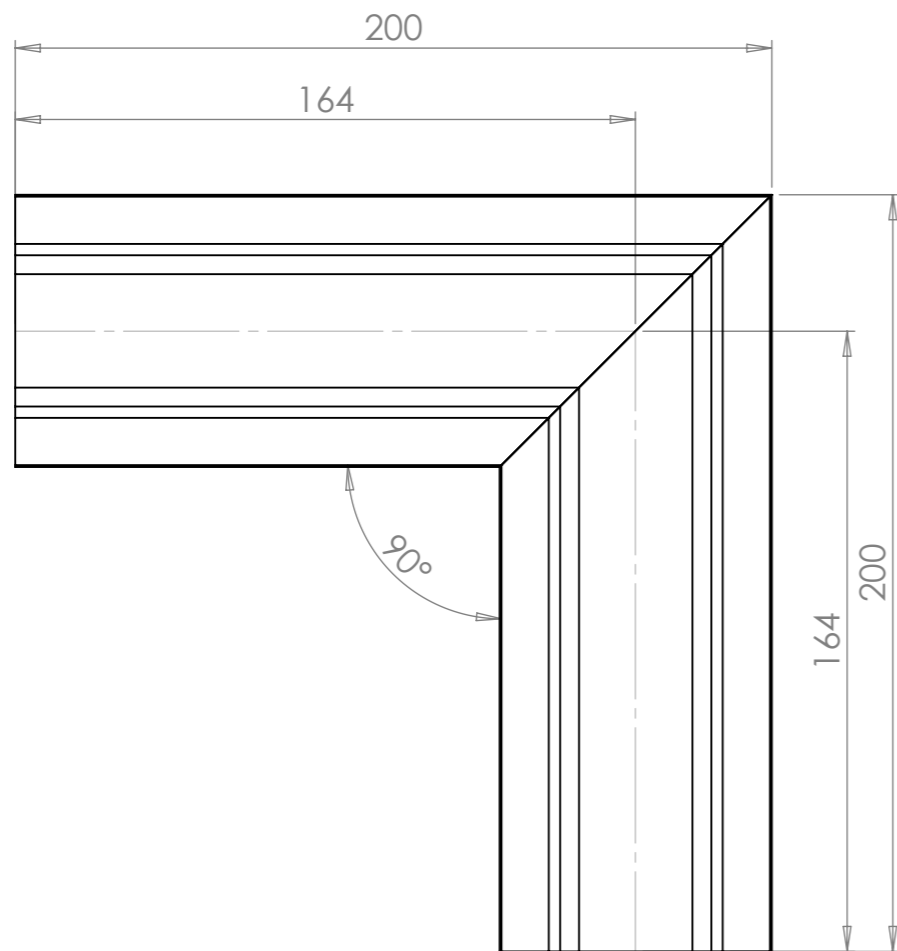


SECTION A-A



PART CODE	MATERIAL	FINISH
1805560SEC	Aluminium	Satin Anodised
1805560SECB	Aluminium	PPC Black

DESCRIPTION: External Corner for Adjustable Aluminium Channel Side Fixed

	NAME	DATE	REVISION	UNLESS OTHERWISE SPECIFIED ALL DIMENSIONS ARE IN MILLIMETERS	A3
DRAWN	TS	24/10/2022	A		
CHECKED					