

## TEST REPORT

**Lucideon Reference:** 164962 (QT39584/2/JPS)/Ref. 11

**Project Title:** Testing of Balustrade System TL-6021 in Accordance with BS 6180:2011 Barriers In and About Buildings

**Client:** OnLevel Gmbh  
Groendahlscher Weg 87  
46446 Emmerich  
Germany

**For the Attention of:** Mr Frank Verhey

**Author(s):** Miss Lisa Cobden

**Report Date:** 16 March, 2017

**Purchase Order No.:** 71160562 FV

---

**Work Location:** Lucideon UK

---



Miss Joanne Booth  
**Consultancy Team**  
**Reviewer**



Miss Lisa Cobden  
**Consultancy Team**  
**Project Manager**



**CONTENTS**

	<b>Page</b>
<b>1 INTRODUCTION</b>	<b>3</b>
<b>2 TEST SAMPLES</b>	<b>3</b>
<b>3 TEST PROGRAMME</b>	<b>3</b>
<b>4 TEST METHOD</b>	<b>3</b>
<b>5 RESULTS</b>	<b>4</b>
<b>TABLES</b>	<b>5-6</b>
<b>PLATE</b>	<b>7</b>
<b>CHART</b>	<b>8</b>
<b>APPENDIX - Figures</b>	

## 1 INTRODUCTION

Lucideon were commissioned by the client, OnLevel Gmbh, to carry out load testing in accordance with BS 6180:2011 Barriers in and about buildings, to allow their balustrade system to be classified for use in accordance with BS 6180:2011 Barriers in and about buildings – Code of Practice.

The testing was carried out at OnLevel's facilities at Innovatielaan 25 8447 SN Heerenveen The Netherlands.

This report summarises the test results obtained during the test programme and does not provide interpretation of those results.

## 2 TEST SAMPLES

The aluminium channel tested was designated as System TL-6021. The system is shown in Figure 1.

The channel was installed by OnLevel personnel.

## 3 TEST PROGRAMME

A horizontal line load was carried out on the aluminium channel with the following glass types installed:

- Laminated Tempered Glass with PVD Foil 10/10/4 21.52 mm – size (w x h): 1000 mm x 1250 mm.
- Laminated Tempered Glass with DG 41 Foil 10/10/4 21.52 mm – size (w x h): 1000 mm x 1250 mm.
- Monolithic Toughened Glass 19 mm – size (w x h): 1000 mm x 1250 mm.
- Monolithic Toughened Glass 15 mm – size (w x h): 1000 mm x 1250 mm.

## 4 TEST METHOD

The channel was bolted to the side of a concrete block, nominally 0.5 m x 0.5 m x 3.5 m which was fixed to the floor of the test facility. The channel was bolted to the block using the following configurations:

- Standard Anchors 200 mm Centres.
- Standard Anchors 400 mm Centres.

Figures 1 and 2 show the sample configuration.

The appropriate thickness glass panel was fitted into the channel using three 'Flex Fit' fixing clips at nominally 312.5 mm centres. The clips were placed such that the plastic clip was to the outside face of the glass, (see Figure 3 and 4).



A horizontal imposed line load was applied to the glass panel at a height of between 1100 mm and 1152 mm above the datum level of the floor and the deflection measured at the top central point of the panel. The exact height at which the load was applied and the deflection measured for each individual panel can be found in Table 1. The load was applied via a hydraulic ram and the deflection measured using a digital electronic displacement transducer, (see Plate 1).

## 5 RESULTS

The test was carried out in accordance with the guidance given in BS 6180 Barriers in and about buildings – Code of Practice. The standard states that the maximum allowable deflection for a free standing glass protective barrier panel is 25 mm.

Table 2 of BS 6180 Barriers in and about buildings – Code of Practice categorises parapets, barriers and balustrades for areas of use depending on the loads they have achieved under testing.

The loads achieved by the OnLevel glazing system tested under horizontal imposed line load to the maximum deflection of 25 mm are given in Table 1.

All figures quoted in Table 1 contain no safety factors and are direct loads as achieved by the system under test conditions.

Table 2 summarises the suitability of the tested systems in accordance with Table 2 of BS 6180:2011.

**NOTE: The results given in this report apply only to the samples that have been tested.**

**END OF REPORT**



**Table 1** - Summary of Performance of OnLevel Balustrade System  
Tested under Horizontal Imposed Line Load

<b>Base Rail</b>	<b>Glass</b>	<b>Fixing Centres (mm)</b>	<b>Height of Applied Load (mm)</b>	<b>Imposed Line Load at 25 mm Deflection (kN/m)</b>	<b>Working Line Load for System (kN/m)</b>	<b>Deflection at Working Line Load for System (mm)</b>
System TL-6021	10/10/4 DG Foil	200	1152	1.58	1.50	23.17
	10/10/4	400	1152	0.89	0.74	19.85
	19 mm	200	1150	1.63	1.50	23.31
	15 mm	200	1110	1.60	1.50	24.17
	15 mm	400	1152	1.35	0.74	14.18

**Table 2 - Summary of Suitability of OnLevel Balustrade Systems in Accordance with Table 2 of BS 6180:2011**

Type of Occupancy for Part of the Building	Examples of Specific Use	Horizontal Uniformly Distributed Line Load (kN/m)	TL-6021				
			10/10/4 DG (1152 mm)	10/10/4 (1152 mm)	19 mm (1150 mm)	15 mm (1152 mm)	15 mm (1100 mm)
Domestic and residential activities	(i) all areas within or serving exclusively one single family dwelling including stairs, landings, etc. but excluding external balconies and edges of roofs	0.36	✓	✓	✓	✓	✓
	(ii) other residential, i.e. houses of multiple occupancy and balconies, including Juliette balconies and edges of roofs in single family dwellings	0.74	✓	✓	✓	✓	✓
Offices and work areas not included elsewhere, including storage areas	(iii) light access stairs and gangways not more than 600 mm wide	0.22	✓	✓	✓	✓	✓
	(iv) light pedestrian traffic routes in industrial and storage buildings except designated escape routes	0.36	✓	✓	✓	✓	✓
	(v) areas not susceptible to overcrowding in office and institutional buildings, also industrial and storage buildings except as given above	0.74	✓	✓	✓	✓	✓
Areas where people might congregate	(vi) areas having fixed seating within 530 mm of the barrier, balustrade or parapet	1.50	✓	X	✓	X	✓
Areas with tables or fixed seating	(vii) restaurants and bars	1.50	✓	X	✓	X	✓
Areas without obstacles for moving people and not susceptible to overcrowding	(viii) stairs, landings corridors ramps	0.74	✓	✓	✓	✓	✓
	(ix) external balconies including Juliette balconies and edges of roofs; footways and pavements within building cartilage adjacent to basement/sunken areas	0.74	✓	✓	✓	✓	✓
Areas susceptible to overcrowding	(x) footways or pavements less than 3 m wide adjacent to sunken areas	1.50	✓	X	✓	X	✓
	(xi) theatres, cinemas, discotheques, bars, auditoria, shopping malls, assembly areas, studios; footways or pavements greater than 3 m wide adjacent to sunken areas	3.00	X	X	X	X	X
	(xii) grandstands and stadia	(Note 1)	-	-	-	-	-
Retail areas	(xiii) all retail areas including public areas of banks/building societies or betting shops	1.50	✓	X	✓	X	✓
Vehicular	(xiv) pedestrian areas in car parks, including stairs, landings, ramps, edges of internal floors, footways, edges of roofs	1.50 (Note 2)	✓	X	✓	X	✓
	(xv) horizontal loads imposed by vehicles	(Note 2)	-	-	-	-	-

Note 1 – See requirements of the appropriate certifying authority

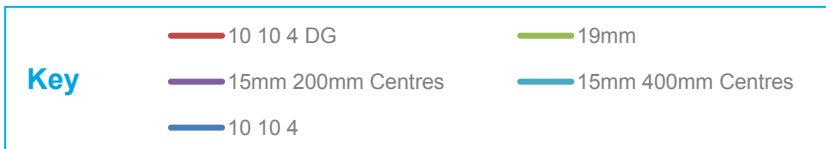
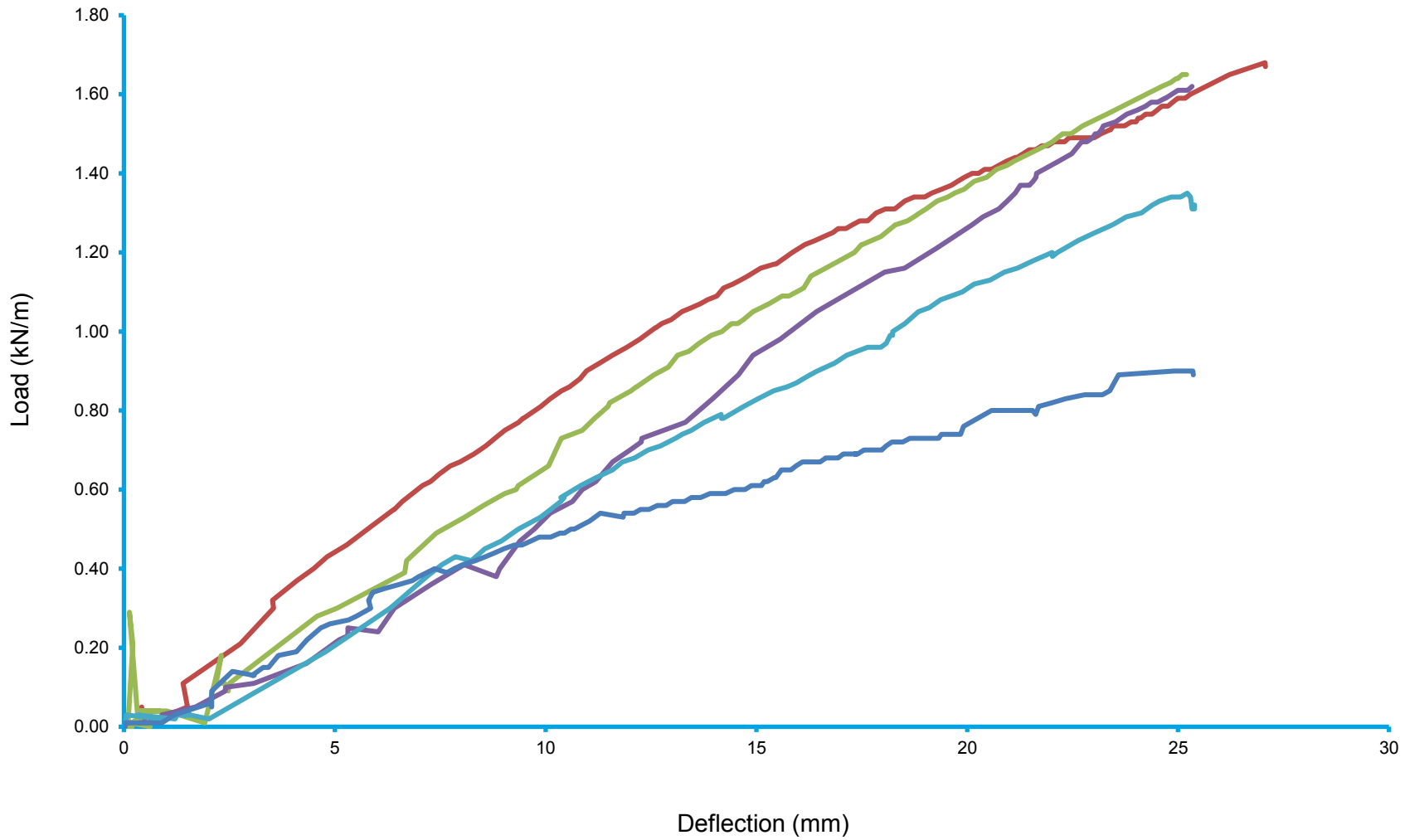
Note 2 – Clause 8.1.1 of BS 6180:2011 states that “glass should not be used for vehicle protection barriers”



**Plate 1** - Generic Test Arrangement

**Chart 1 - Load Versus Defelction Curves for OnLevel Balustrades System TL-6021**

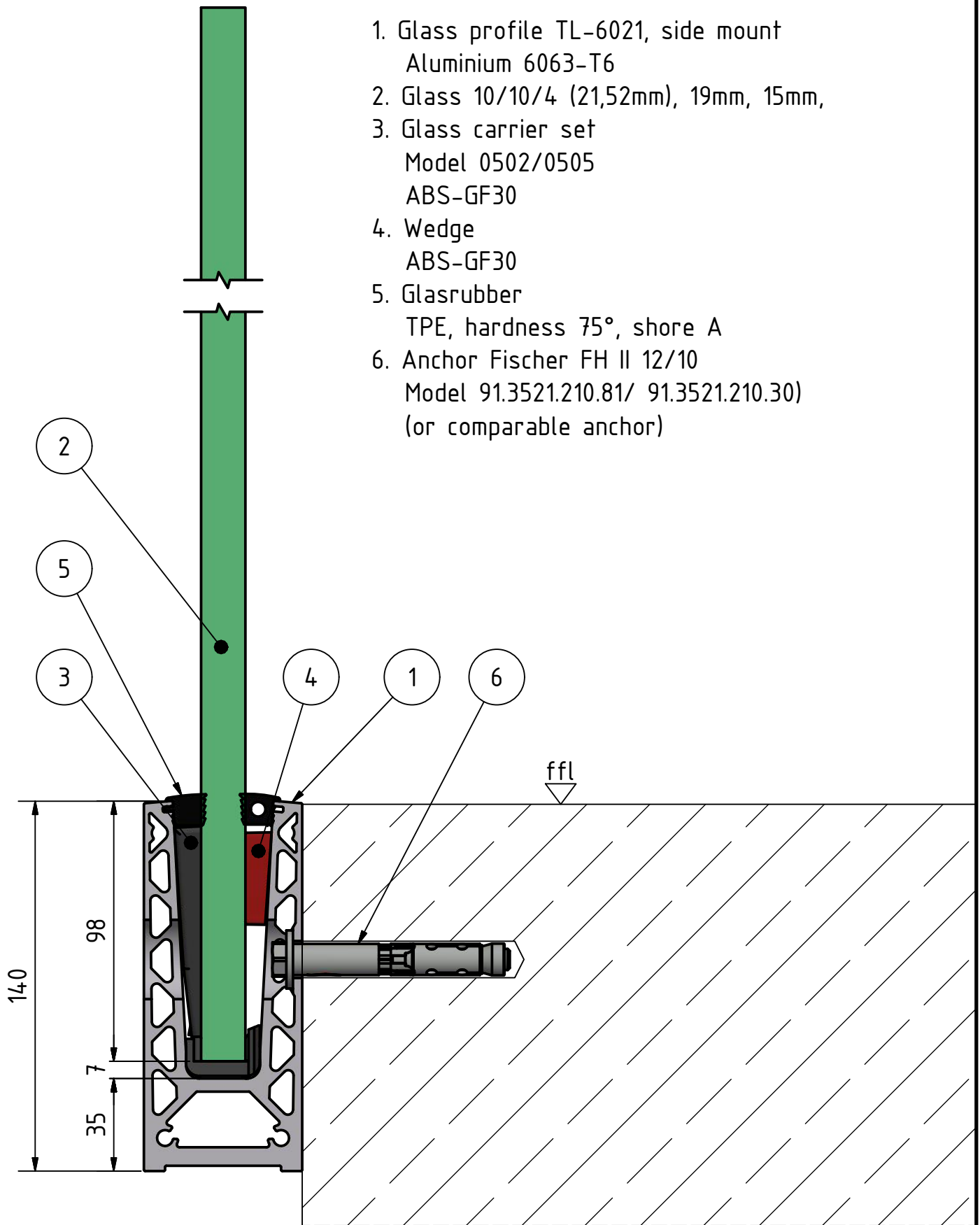
Test Report: 164962/Ref. 11






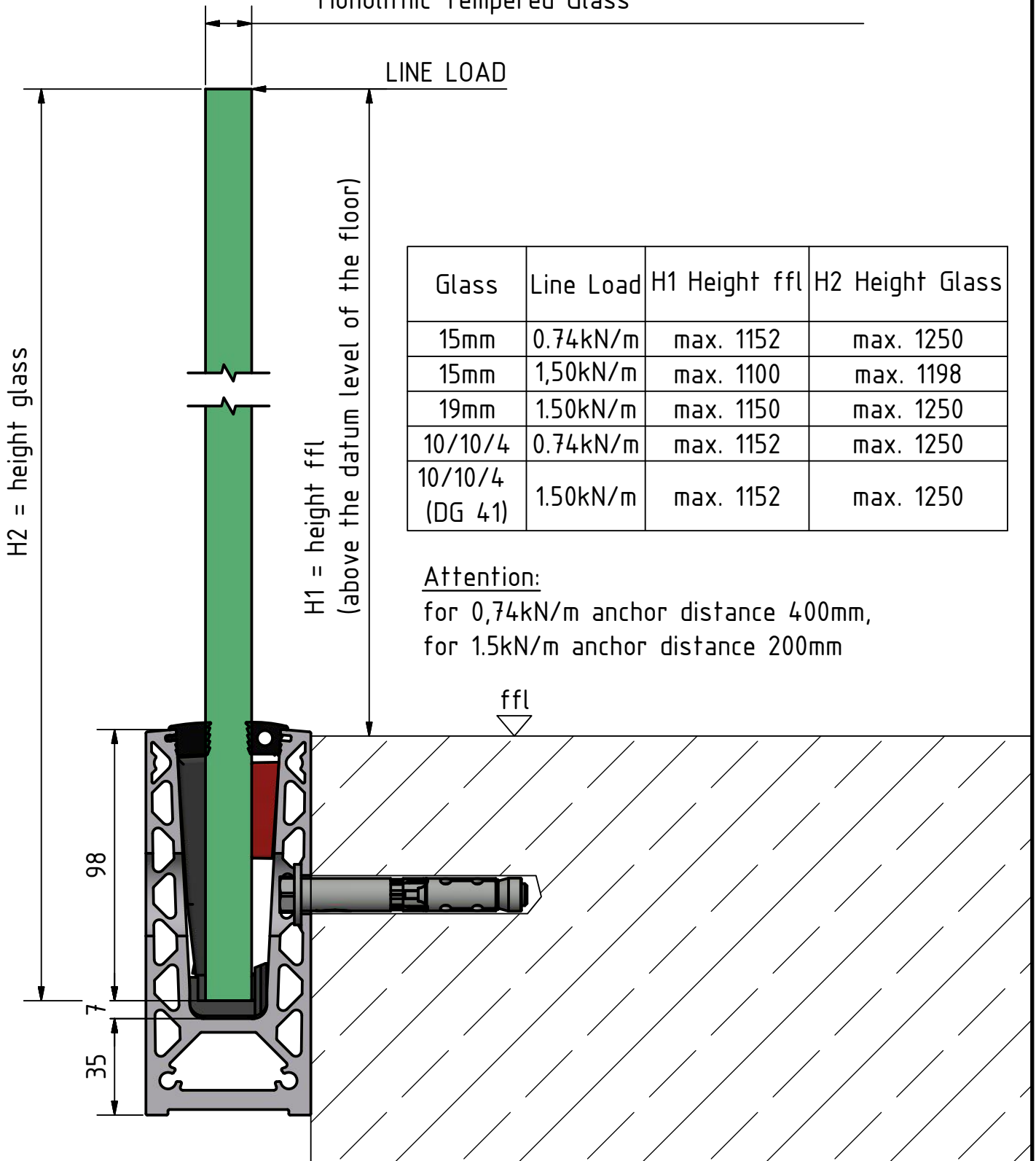
APPENDIX - Figures

1. Glass profile TL-6021, side mount  
Aluminium 6063-T6
2. Glass 10/10/4 (21,52mm), 19mm, 15mm,
3. Glass carrier set  
Model 0502/0505  
ABS-GF30
4. Wedge  
ABS-GF30
5. Glasrubber  
TPE, hardness 75°, shore A
6. Anchor Fischer FH II 12/10  
Model 91.3521.210.81/ 91.3521.210.30  
(or comparable anchor)



Designed by FV	Created 09-Dec-16	Modified	Comment
		Description Detail:Figure 1	
		Article number TL-6021 (side mount)	Size A4

Laminated Tempered Glass with PVD Foil /  
 Laminated Tempered Glass with DG 41 Foil /  
 Monolithic Tempered Glass



Glass	Line Load	H1 Height ffl	H2 Height Glass
15mm	0.74kN/m	max. 1152	max. 1250
15mm	1,50kN/m	max. 1100	max. 1198
19mm	1.50kN/m	max. 1150	max. 1250
10/10/4	0.74kN/m	max. 1152	max. 1250
10/10/4 (DG 41)	1.50kN/m	max. 1152	max. 1250

Attention:  
 for 0,74kN/m anchor distance 400mm,  
 for 1.5kN/m anchor distance 200mm


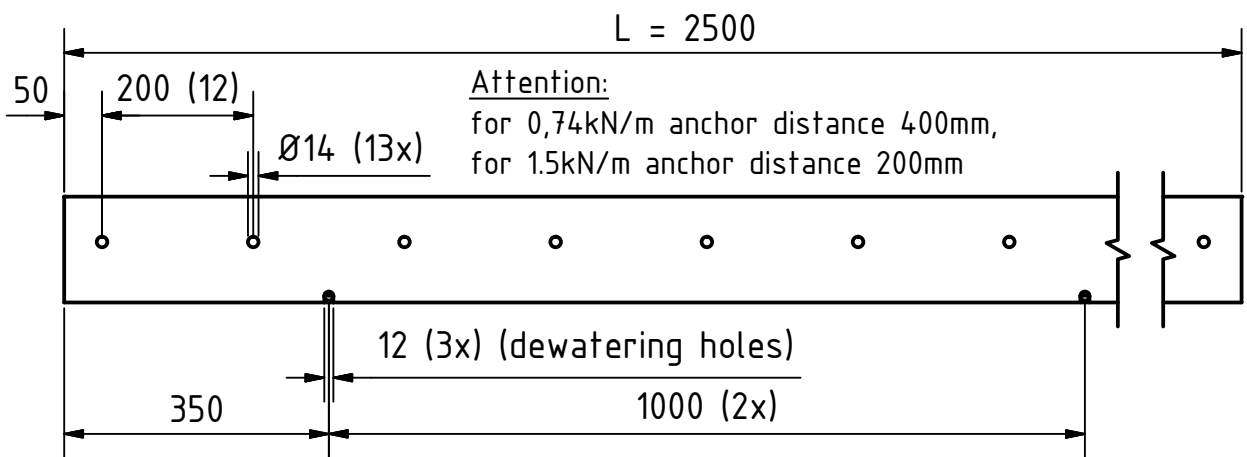
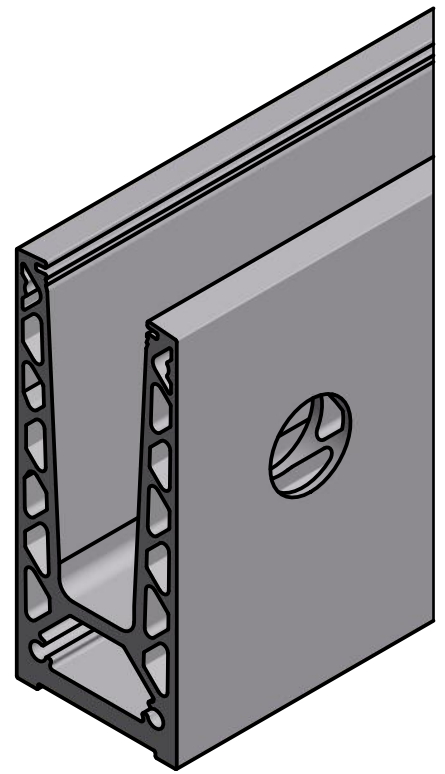
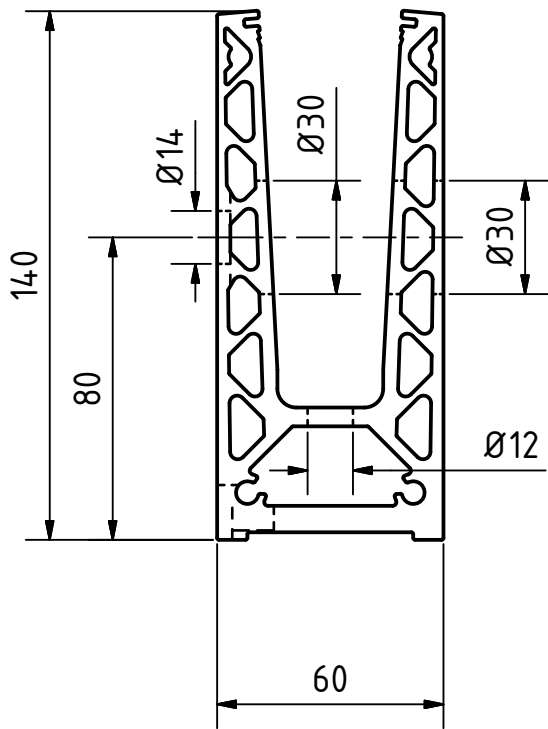
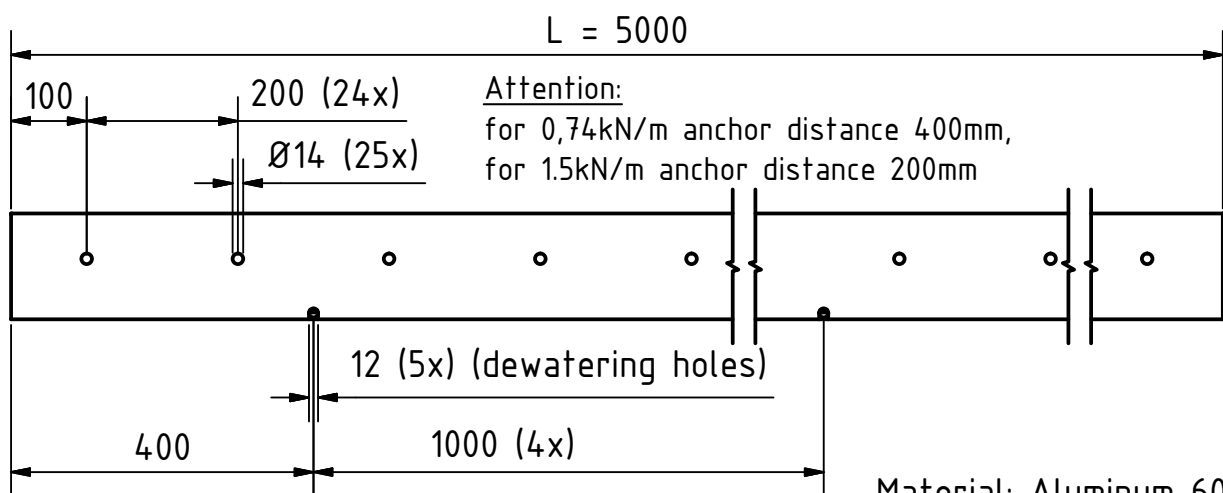
Designed by FV	Created 09-Dec-16	Modified	Comment
		Description Detail: Figure 2 (Line Load/ Glass Heights)	
		Article number TL-6021 (side mount)	Size A4

Figure 3



Attention:  
for 0,74kN/m anchor distance 400mm,  
for 1.5kN/m anchor distance 200mm

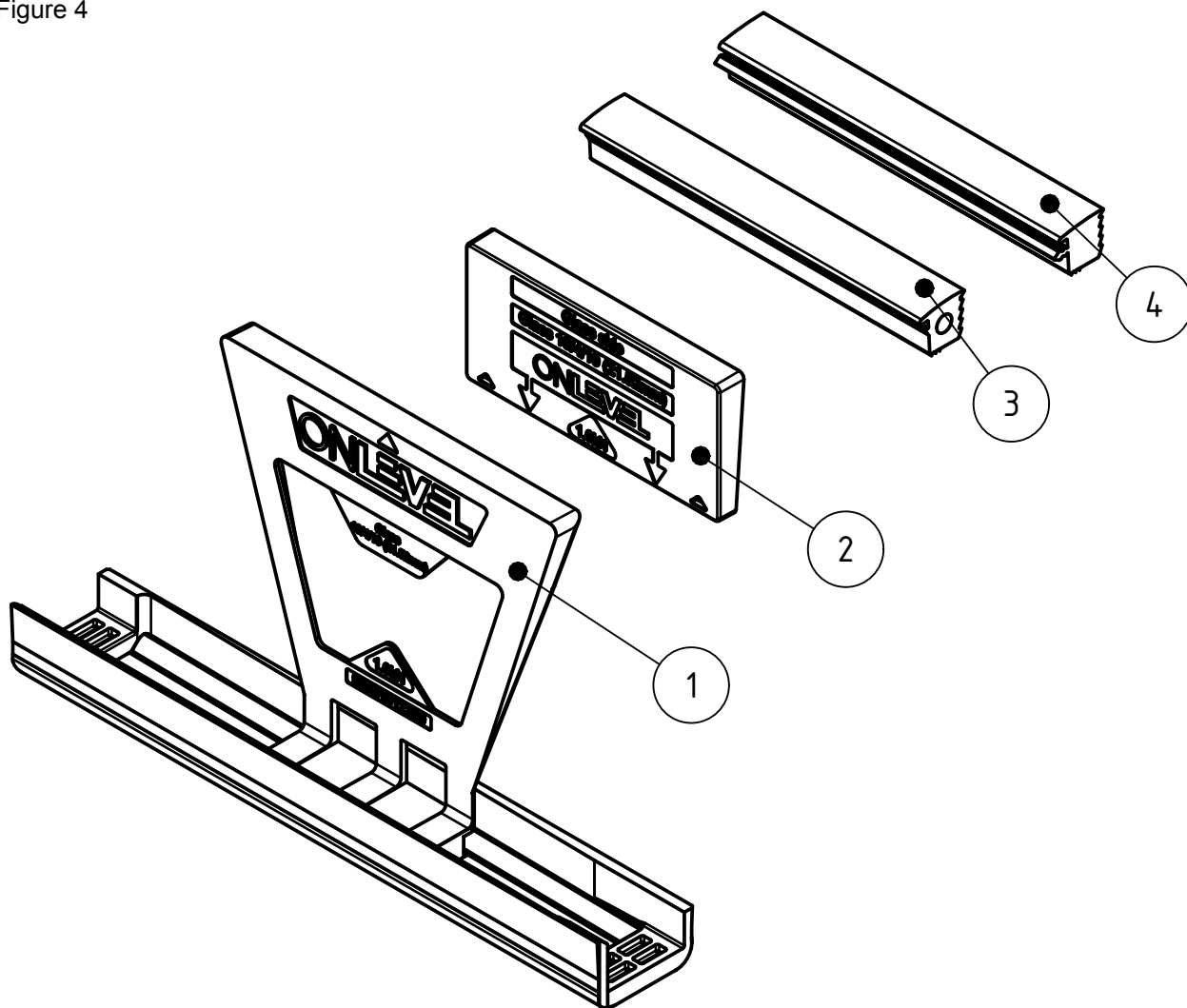


Attention:  
for 0,74kN/m anchor distance 400mm,  
for 1.5kN/m anchor distance 200mm

Material: Aluminum 6063-T6

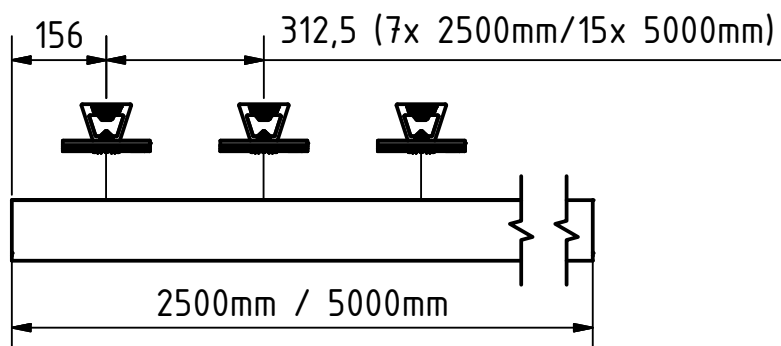
Designed by FV	Created 09-Dec-16	Modified	Comment
		Description Profile TL-6021 L =2500mm / L=5000mm	
		Article number TL-6021 (side mount)	Size A4

Figure 4



ITEM	PCS (L=2500mm)	PCS (L=5000mm)	Description
1	8	16	Flex-Fit 1.0KN
2	8	16	Glass Wedge 1.0KN
3	1 (L=2500mm)	1 (L=5000mm)	Rubber User Side
4	1 (L=2500mm)	1 (L=5000mm)	Rubber Falling Side

Distance Glass Carrier / Glass Wedges :



Designed by FV	Created 09-Dec-16	Modified	Comment
		Description Flex-Fits sets (quantity and distance)	
		Article number TL-6021 (side mount)	Size A4