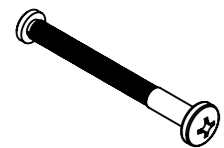
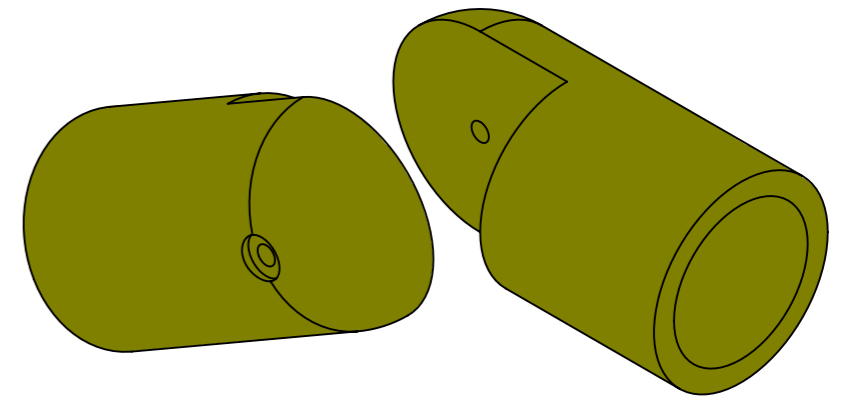
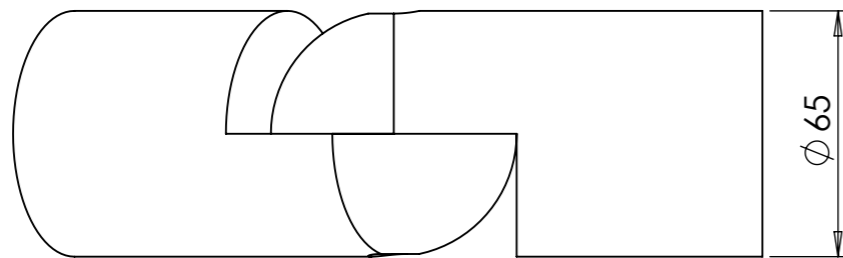
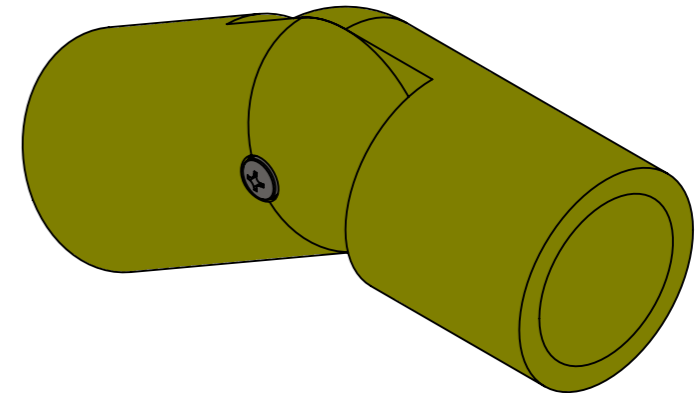
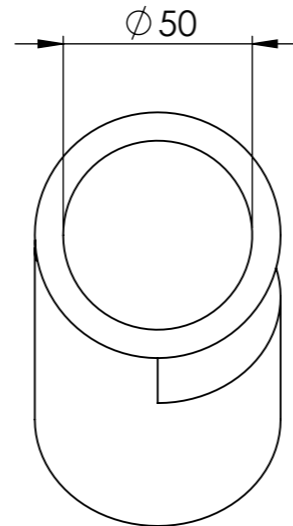
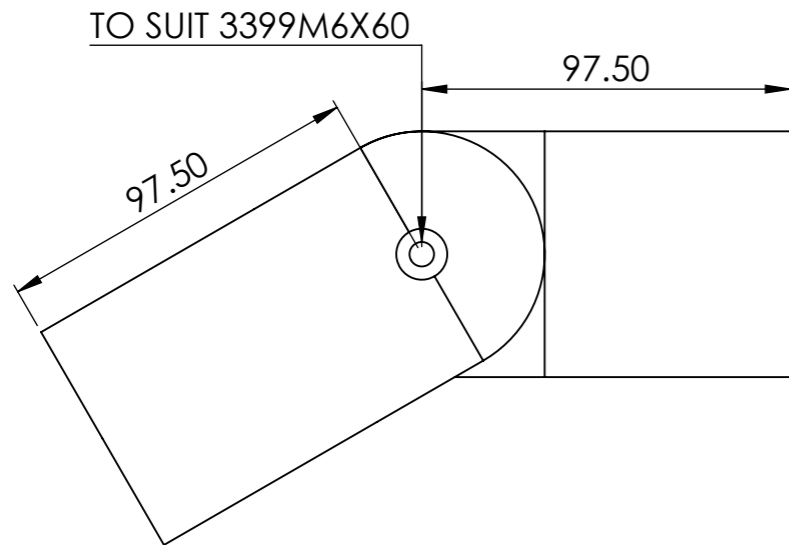




**F.H.BRUNDLE**  
SERVING THE TRADE SINCE 1889



**3399M6X60**  
**FIXING SET NOT INCLUDED**  
1 x FIXING SETS REQUIRED

PART CODE	MATERIAL
33766DY	Glass Reinforced Plastic

DESCRIPTION: Adjustable External Fix Elbow Yellow GRP - To suit 50mm O/D Tube

	NAME	DATE	REVISION	UNLESS OTHERWISE SPECIFIED ALL DIMENSIONS ARE IN MILLIMETERS	A3
DRAWN	CH	06/09/2018			
CHECKED				DO NOT SCALE DRAWING	SCALE:1:2