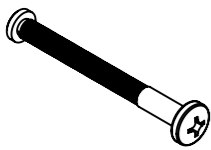
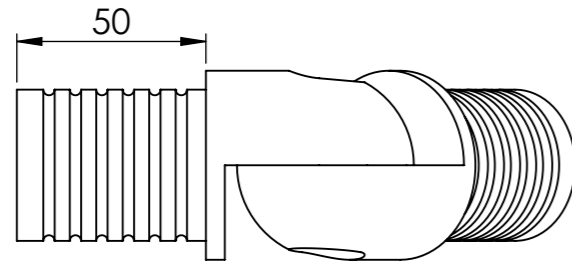
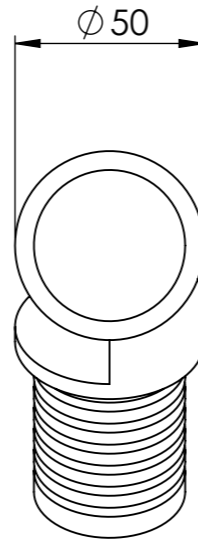
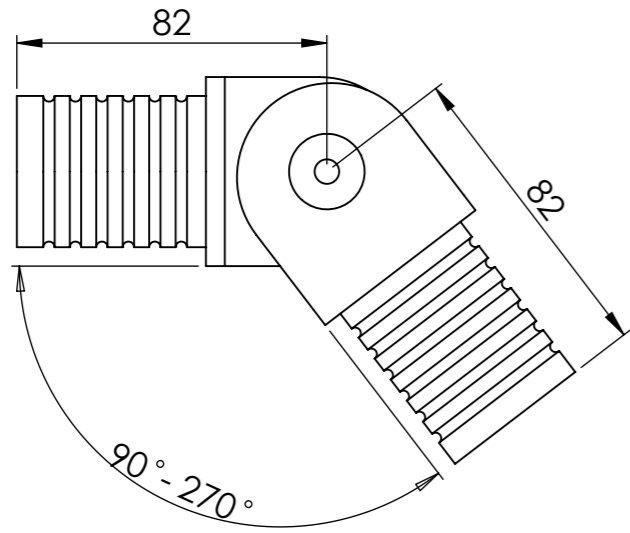




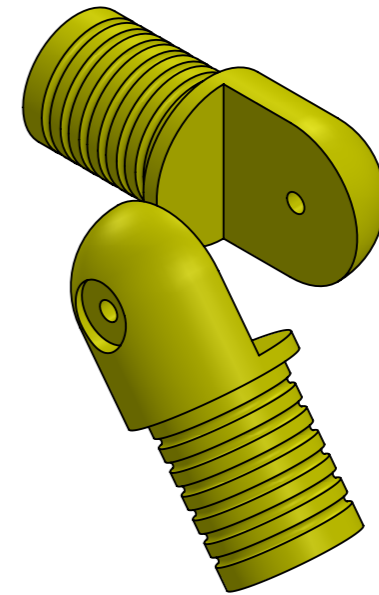
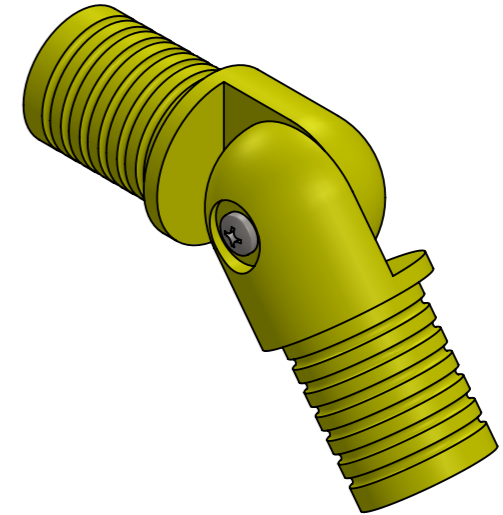
F.H.BRUNDLE  
SERVING THE TRADE SINCE 1889



**3399M6X60**

**FIXING SET NOT INCLUDED**

1 x FIXING SETS REQUIRED



PART CODE	MATERIAL
33764DY	Glass Reinforced Plastic

DESCRIPTION: Adjustable Internal Fix Elbow Yellow GRP - To suit 50mm O/D Tube

	NAME	DATE	REVISION	UNLESS OTHERWISE SPECIFIED ALL DIMENSIONS ARE IN MILLIMETERS	A3
DRAWN	CH	06/09/2018			
CHECKED				DO NOT SCALE DRAWING	SCALE:1:2