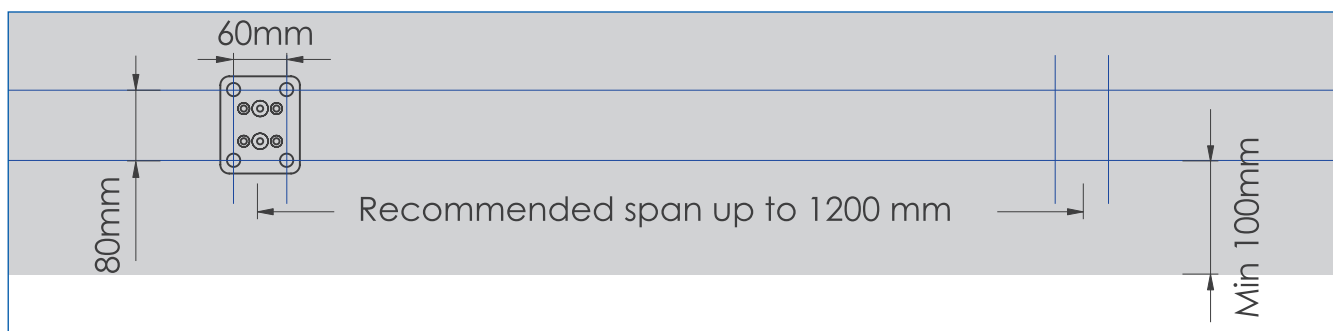
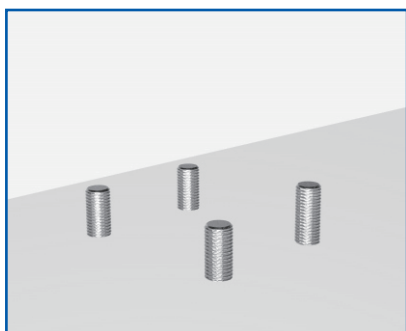


SYSTEM TOP FIXED WITH HANDRAIL INSTALLATION INSTRUCTIONS

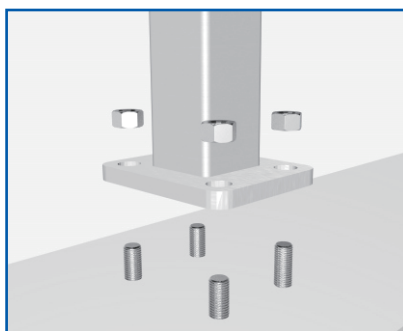
INSTALL POSTS



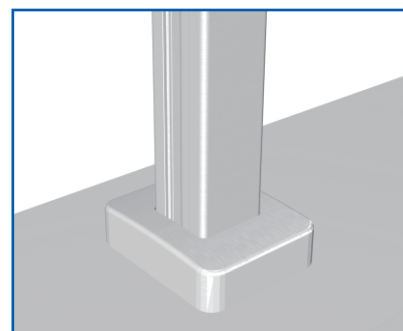
Posts should be a minimum of 100mm from the edge of the concrete.
Recommended span up to 1200mm.



Drill holes & fit the rods.

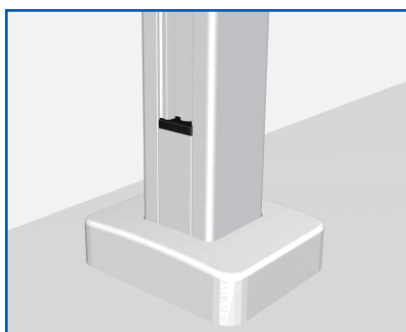


Tighten nuts to fit the posts.

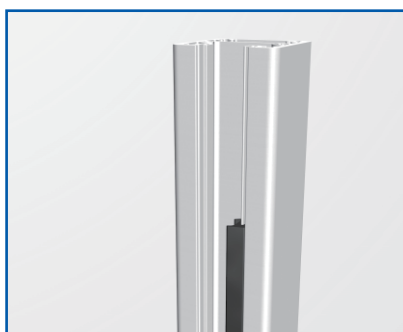


Fit the covers.

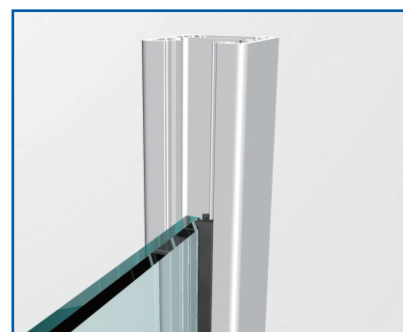
FITTING GLASS



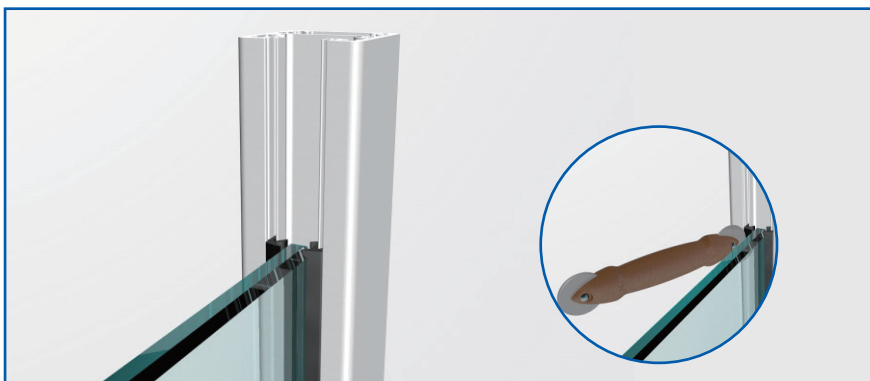
Fit the bottom infill & plastic packing block.



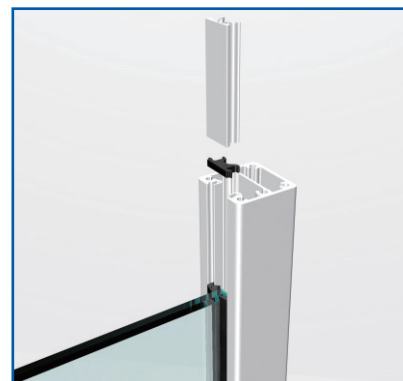
Fit back rubber in from the side.



Slide glass in from the top between posts.

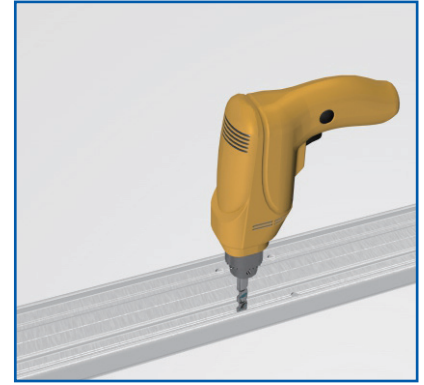
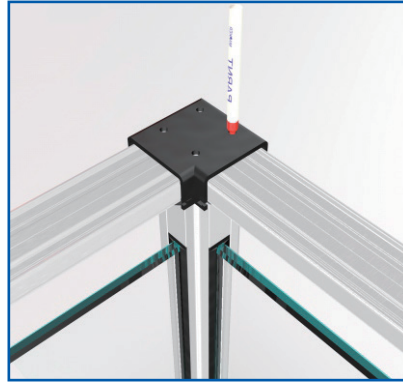
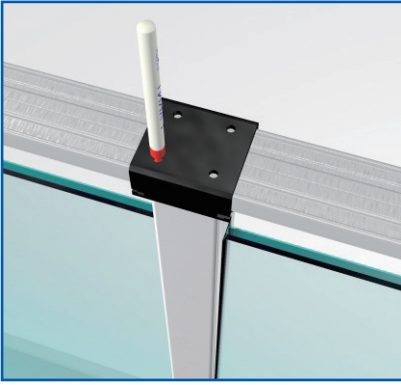


Fit glass retaining rubber
(Roller assisted, spray soapy water as lubricant).

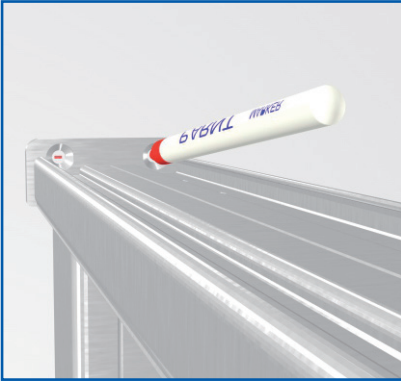


Fit the plastic packing block & infill on the top of glass.

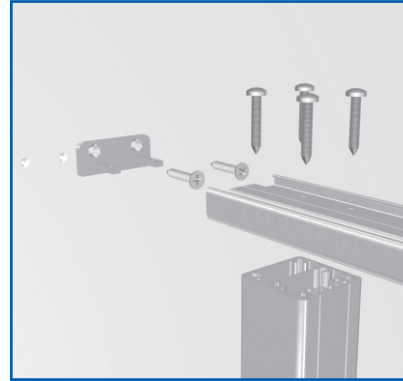
FITTING HANDRAIL



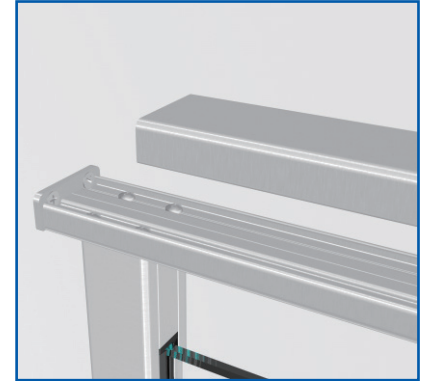
Place under cap in position & using drilling jig mark holes for drilling & drill holes.



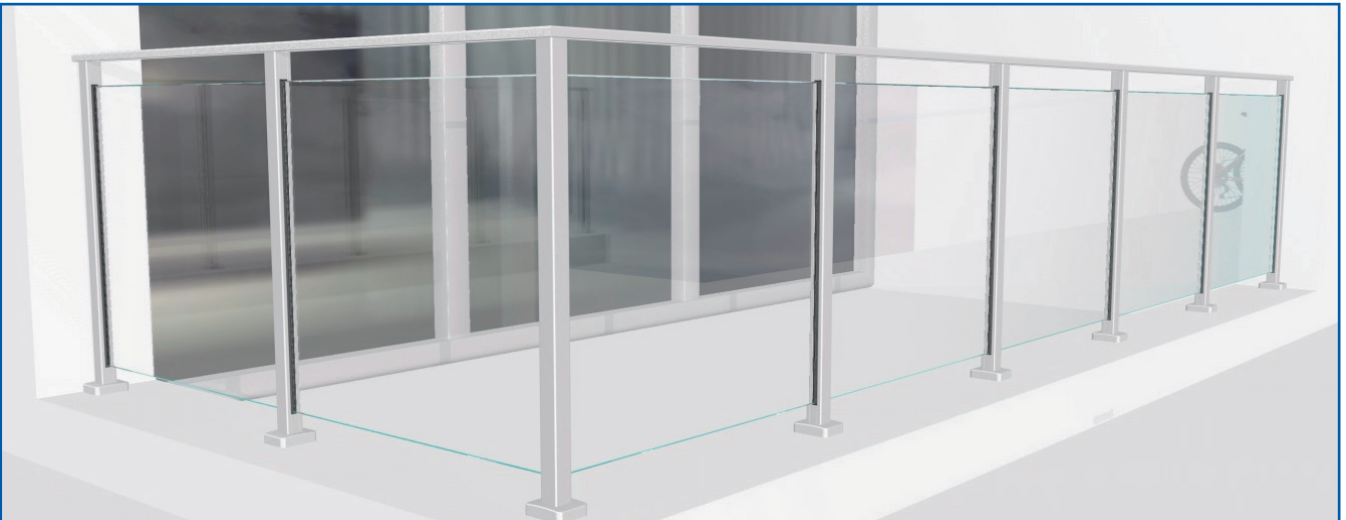
Place wall bracket in position & mark holes for drilling & drill holes.



Tighten the screws to fit under cap to posts & fit wall bracket to the wall.



Slide handrail on & push down to clip into place.



Whilst every effort has been made to ensure the accuracy of the information supplied. F.H.Brundle cannot be held responsible for any errors or omissions. This product must only be employed for its original intended use. Any other use is wrong and potentially dangerous. Installation must be carried out in full compliance with current regulations. F.H.Brundle cannot be held liable for any damages resulting from wrongful, erroneous or negligent use.

May 2018