

## Double Leaf 4000mm Wide Palisade Gates

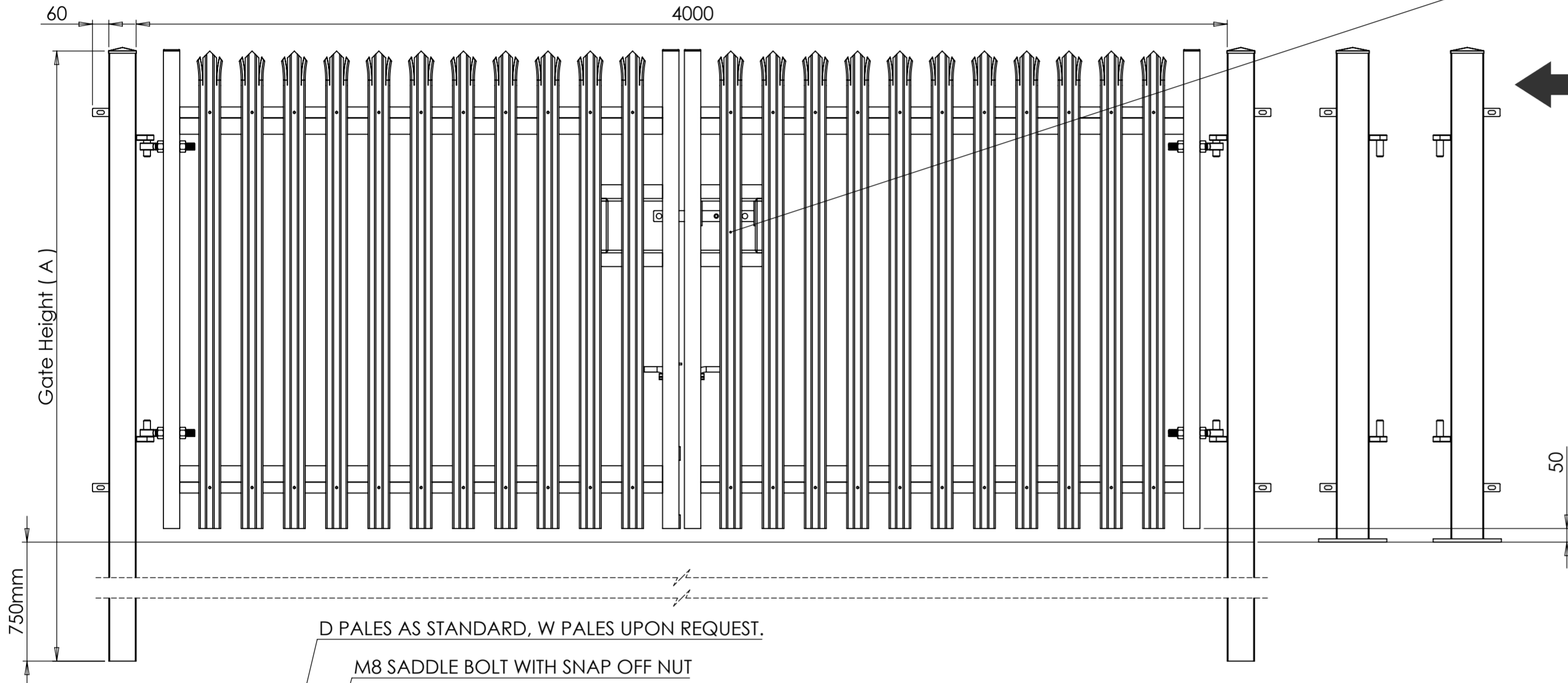
Single Leaf Gate Height (A)	D Pales Part Number	W Pales Part Number	Floor Fixing Method	Frame	Posts	Embedded Length	Base Plate Size	Finish	Drop Bar	Attachment Plates & Bolts
1800mm	47DLC184D	47DLC184W	Concrete in Post	60 x 60 x 4	100 x 120 x 5	750mm	N/A	All Gates have a Galvanised finish as Standard (BS1772)	Included	Included
2000mm	47DLC204D	47DLC204W		60 x 60 x 4	120 x 120 x 5					
2100mm	47DLC214D	47DLC214W		60 x 60 x 4	120 x 120 x 5					
2400mm	47DLC244D	47DLC244W		60 x 60 x 4	120 x 120 x 5					
3000mm	47DLC304D	47DLC304W		60 x 60 x 4	120 x 120 x 5					
1800mm	47DLB184D	47DLB184W	Bolt Down Posts	60 x 60 x 4	100 x 120 x 5	N/A	250 x 250 x 12	All Gates have a Galvanised finish as Standard (BS1772)	Included	Included
2000mm	47DLB204D	47DLB204W		60 x 60 x 4	120 x 120 x 5		250 x 250 x 14			
2100mm	47DLB214D	47DLB214W		60 x 60 x 4	120 x 120 x 5		250 x 250 x 14			
2400mm	47DLB244D	47DLB244W		60 x 60 x 4	120 x 120 x 5		250 x 250 x 14			
3000mm	47DLB304D	47DLB304W		60 x 60 x 4	120 x 120 x 5		250 x 250 x 16			

### SPECIFICATIONS & FEATURES

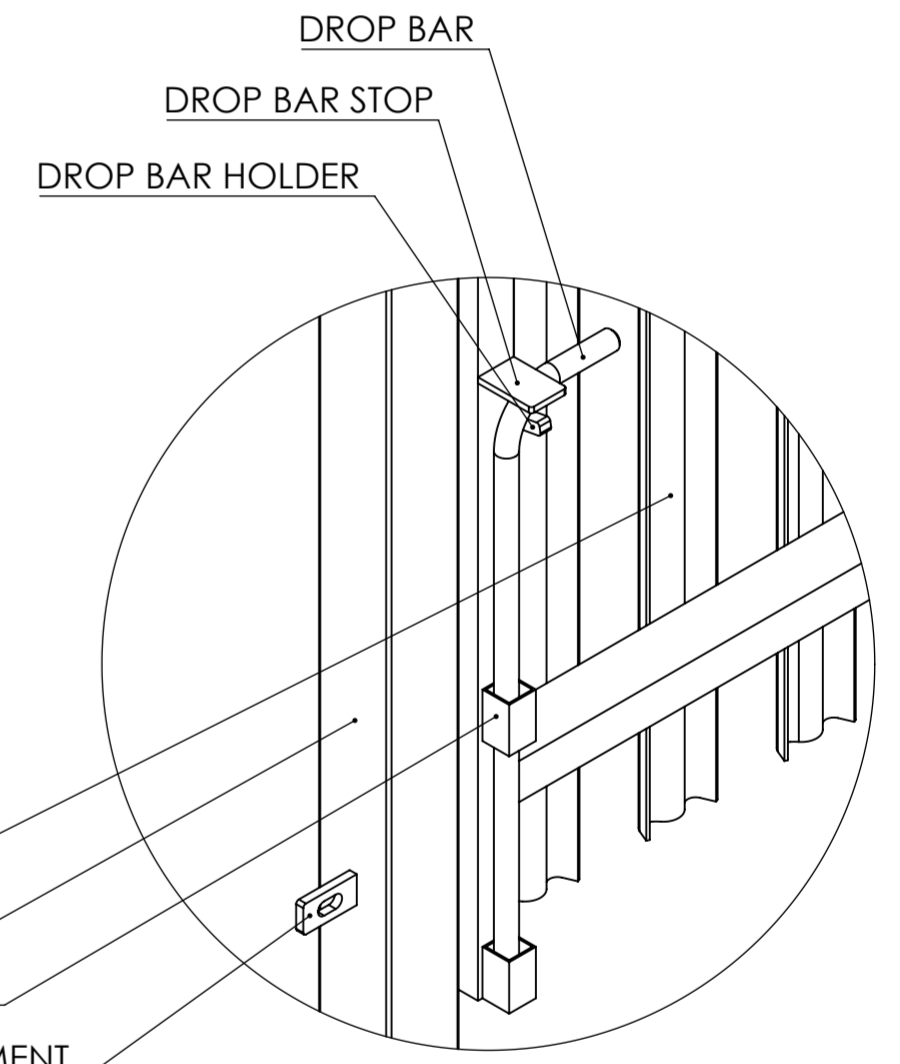
- 1) All Gates Come With 'D' or 'W' Profile Pales Which Are 3mm For Security Purposes
- 2) As A Climbing Deterrent All Pales Are Triple Pointed
- 3) Snap Off Nuts Used to Ensure Gates Are Tamper Proof
- 4) Gates Are Supplied With A High Quality Finish. Galvanised To BS1722.
- 5) These Gates Are Designed To Accompany Palisade Fencing
- 6) Palisade Gates Come Complete With A Slide Latch With Two Padlock Holes & Drop Bars
- 7) As Standard All Gates Are Left Hung When Viewed Front Face
- 8) ALL Gates Open Both Inwards & Outwards

### IMPORTANT NOTE

ALL GATES COME WITH A FULL PALE OVER THE LATCH. HOLES ARE PROVIDED ON THE LATCH FRAME SHOULD OUR CUSTOMERS WISH TO OPEN THIS SECTION AND USE SADDLE BOLTS.



BOLT DOWN POSTS CAN BE PROVIDED INSTEAD OF CONCRETE POSTS, SEE TABLE FOR STOCK.



Back View of Drop Bar, Lugs Are Used To Attach Palisade Fencing To Gate Post

D PALES AS STANDARD, W PALES UPON REQUEST.

M8 SADDLE BOLT WITH SNAP OFF NUT

BLACK PLASTIC CAP

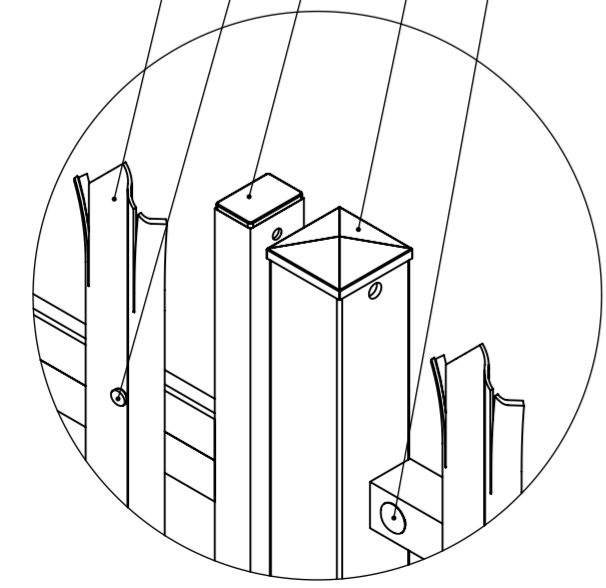
SQUARE POST CAP WITH FLANGE

M12 CUP SQUARE BOLT

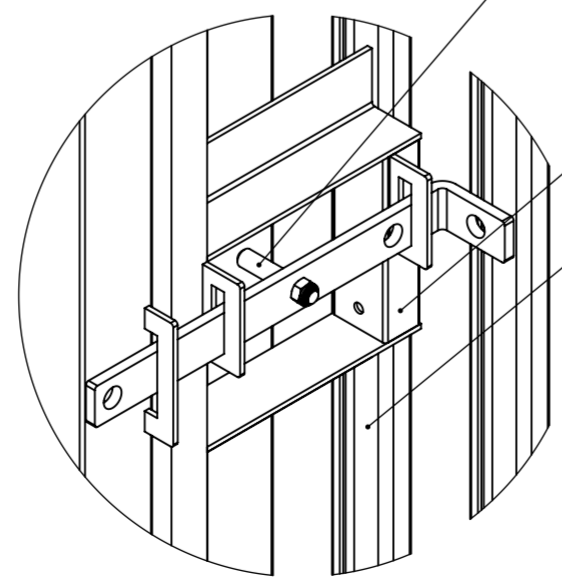
LATCH WITH REVERSIBLE HANDLE & NYLOC NUT

FHB LATCH KIT 47L60

D PALES AS STANDARD, W PALES UPON REQUEST



Gate & Fencing Attachment Example. This Can Be Achieved Using The Stated Fixing Bolts



Slide Latch With Padlock Holes & Reversible Handle As Standard. (Padlock Not Included)



**FH BRUNDLE**  
Tel: 01282 834545  
Email: designs@brundle.com  
Web: www.fhbrundle.co.uk

NOTES:	Customer Drawing
DESCRIPTION:	Double Leaf Palisade Gates
PART NO:	N/A
DWG NO:	47DL*****
MATERIAL:	Mild Steel
FINISH:	Galvanised
GRIT SIZE:	N/A
WEIGHT:	N/A
DO NOT SCALE DRAWING	

UNLESS OTHERWISE SPECIFIED ALL DIMENSIONS ARE IN MILLIMETERS			
NAME	DATE	REVISION	
GC	18/05/2015	A	