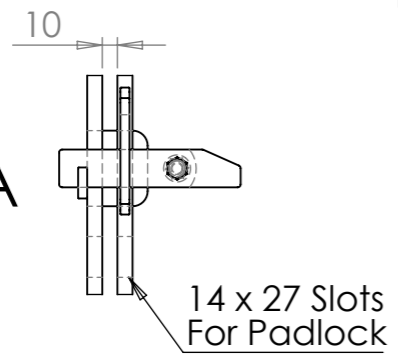
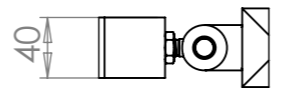


DETAIL A
SCALE 1 : 5



DETAIL B
SCALE 1 : 5



PART CODE	MATERIAL	FINISH
51DLCC12123	Mild Steel	HDG
51DLCC12123B	Mild Steel	HDG & PPC RAL 9005

DESCRIPTION: Forest 1200mm High Double Leaf Gate With Concrete In Posts				
	NAME	DATE	REVISION	UNLESS OTHERWISE SPECIFIED ALL DIMENSIONS ARE IN MILLIMETERS
DRAWN	LT	18/07/2018	B	
CHECKED	LT	15/09/2020		
DO NOT SCALE DRAWING			SCALE:1:10	A3