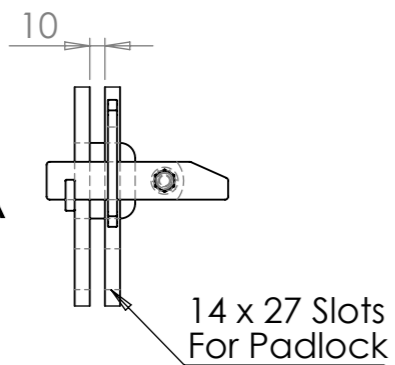
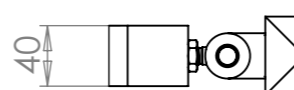


DETAIL A
SCALE 1 : 5



DETAIL B
SCALE 1 : 5



PART CODE	MATERIAL	FINISH
51DLCR12123	Mild Steel	HDG
51DLCR12123B	Mild Steel	HDG & PPC RAL 9005

DESCRIPTION: Fleur De Lis 1200mm High Double Gate Concrete In Posts					
	NAME	DATE	REVISION	UNLESS OTHERWISE SPECIFIED ALL DIMENSIONS ARE IN MILLIMETERS	
DRAWN	LT	18/07/2018	B		
CHECKED	LT	15/09/2020			
DO NOT SCALE DRAWING				SCALE:1:10	A3