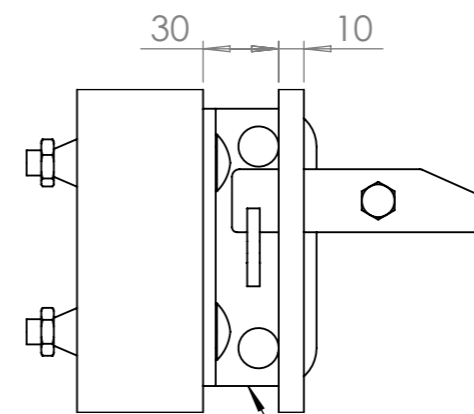
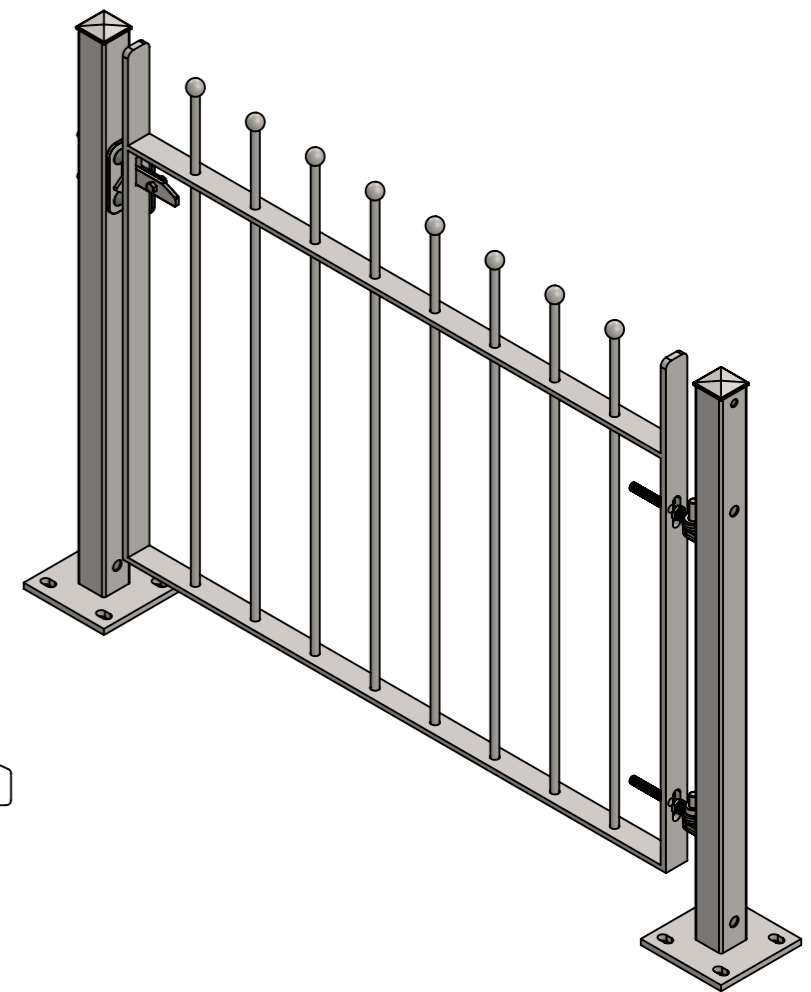


**DETAIL B**  
SCALE 1 : 5

**DETAIL A**  
SCALE 1 : 3



Two Holes For Padlock. Catch Is Reversible



PART CODE	MATERIAL	FINISH
51SLBST09121	Mild Steel	HDG
51SLBST09121B	Mild Steel	HDG & PPC RAL 9005

DESCRIPTION: Sphere Top: 900mm high single leaf gate with bolt down posts

	NAME	DATE	REVISION	UNLESS OTHERWISE SPECIFIED ALL DIMENSIONS ARE IN MILLIMETERS	A3		
DRAWN	LT	10/06/2019	B			DO NOT SCALE DRAWING	SCALE:1:10
CHECKED	LT	15/09/2020					