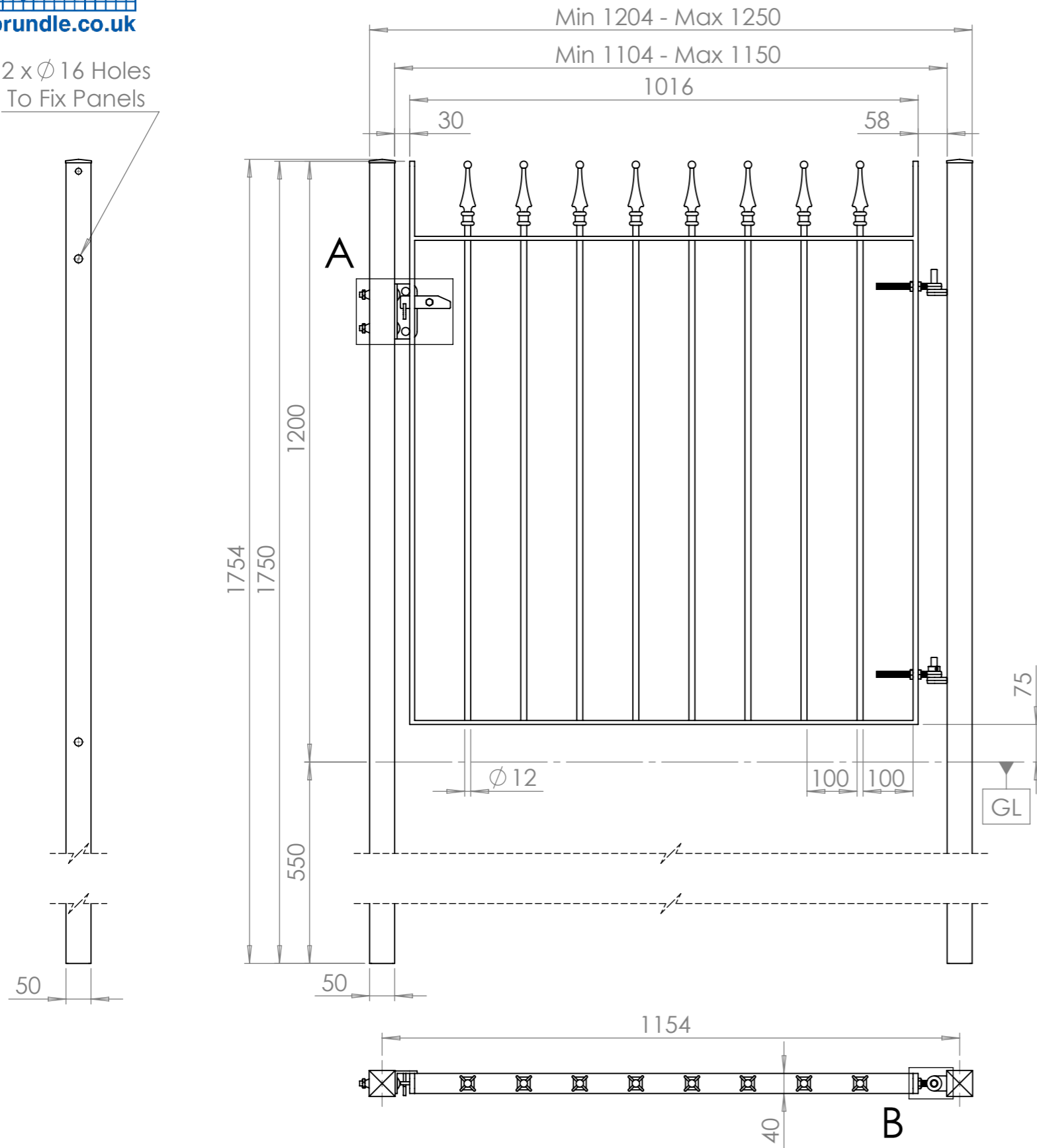
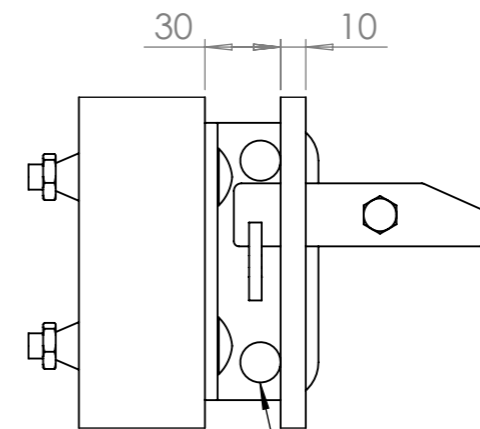


2 x Ø 16 Holes
To Fix Panels

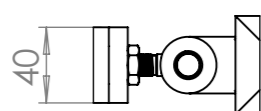
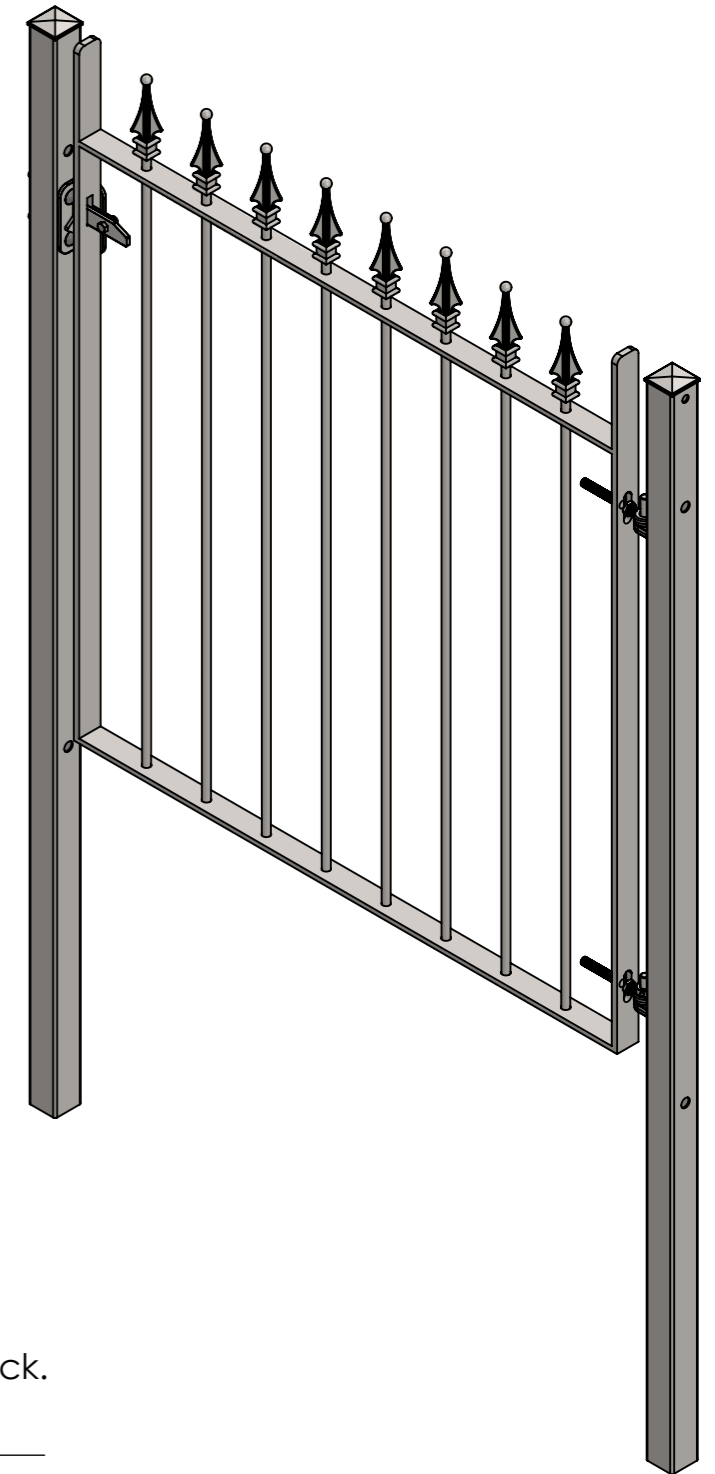


DETAIL A

SCALE 1 : 3



Two Ø16mm
Holes For Padlock.
Catch Is
Reversible.



DETAIL B

SCALE 1 : 4

PART CODE	MATERIAL	FINISH
51SLCC12121	Mild Steel	HDG
51SLCC12121B	Mild Steel	HDG & PPC RAL 9005

DESCRIPTION: Forest 1200mm High Single Gate Concrete In Posts

NAME	DATE	REVISION	UNLESS OTHERWISE SPECIFIED ALL DIMENSIONS ARE IN MILLIMETERS	A3
DRAWN	LT	16/01/2017		
CHECKED	LT	15/09/2020		
DO NOT SCALE DRAWING			SCALE:1:10	