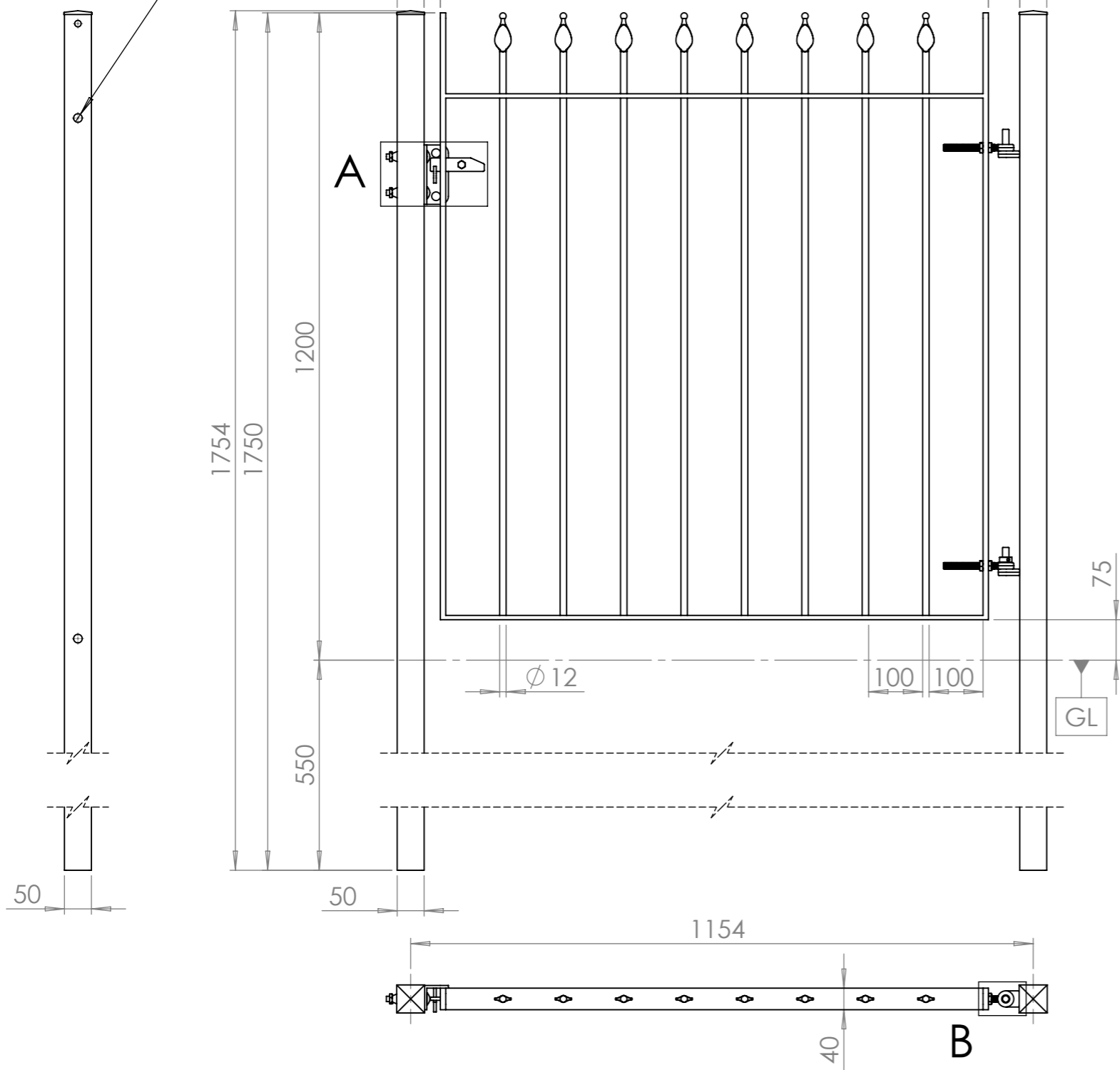
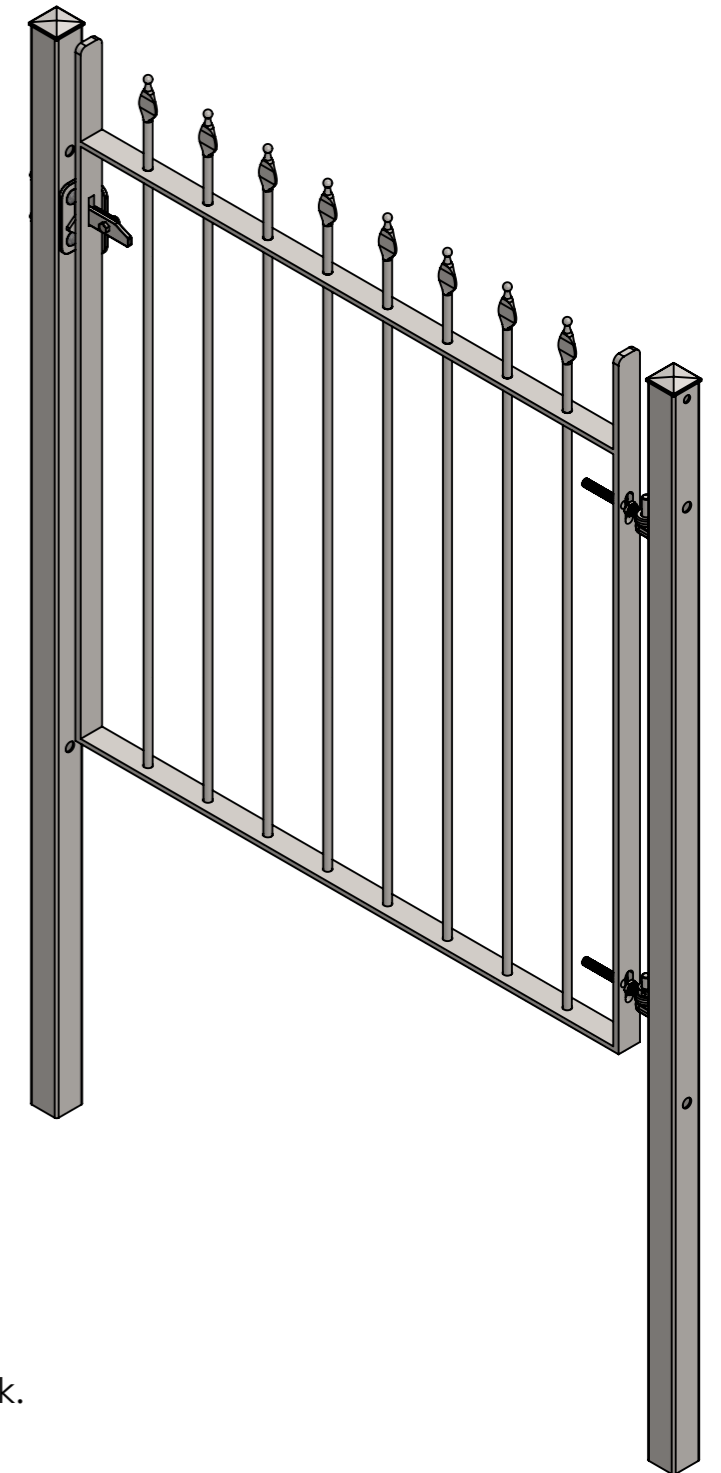
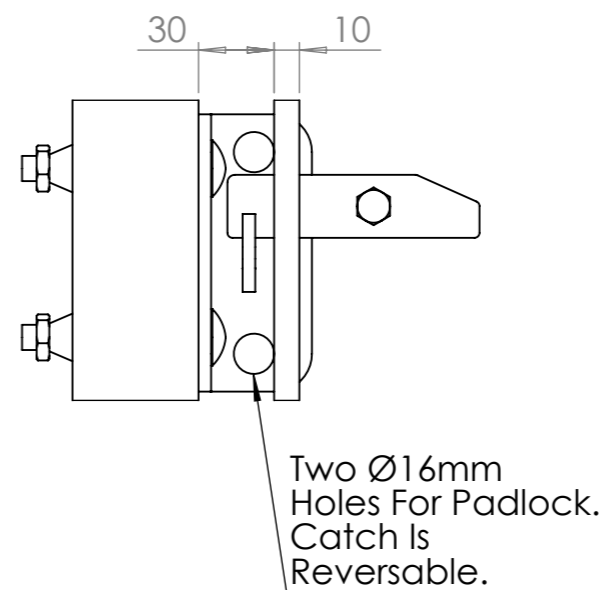
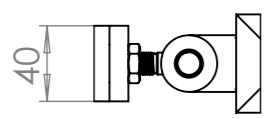


2 x Ø 16 Holes
To Fix Panels



DETAIL A
SCALE 1 : 3

DETAIL B
SCALE 1 : 4

PART CODE	MATERIAL	FINISH
51SLCF12121	Mild Steel	HDG
51SLCF12121B	Mild Steel	HDG & PPC RAL 9005

DESCRIPTION: Flame 1200mm High Single Gate Concrete In Posts

	NAME	DATE	REVISION	UNLESS OTHERWISE SPECIFIED ALL DIMENSIONS ARE IN MILLIMETERS	A3
DRAWN	LT	16/01/2017	B		
CHECKED	LT	15/09/2020			
				DO NOT SCALE DRAWING	SCALE:1:10