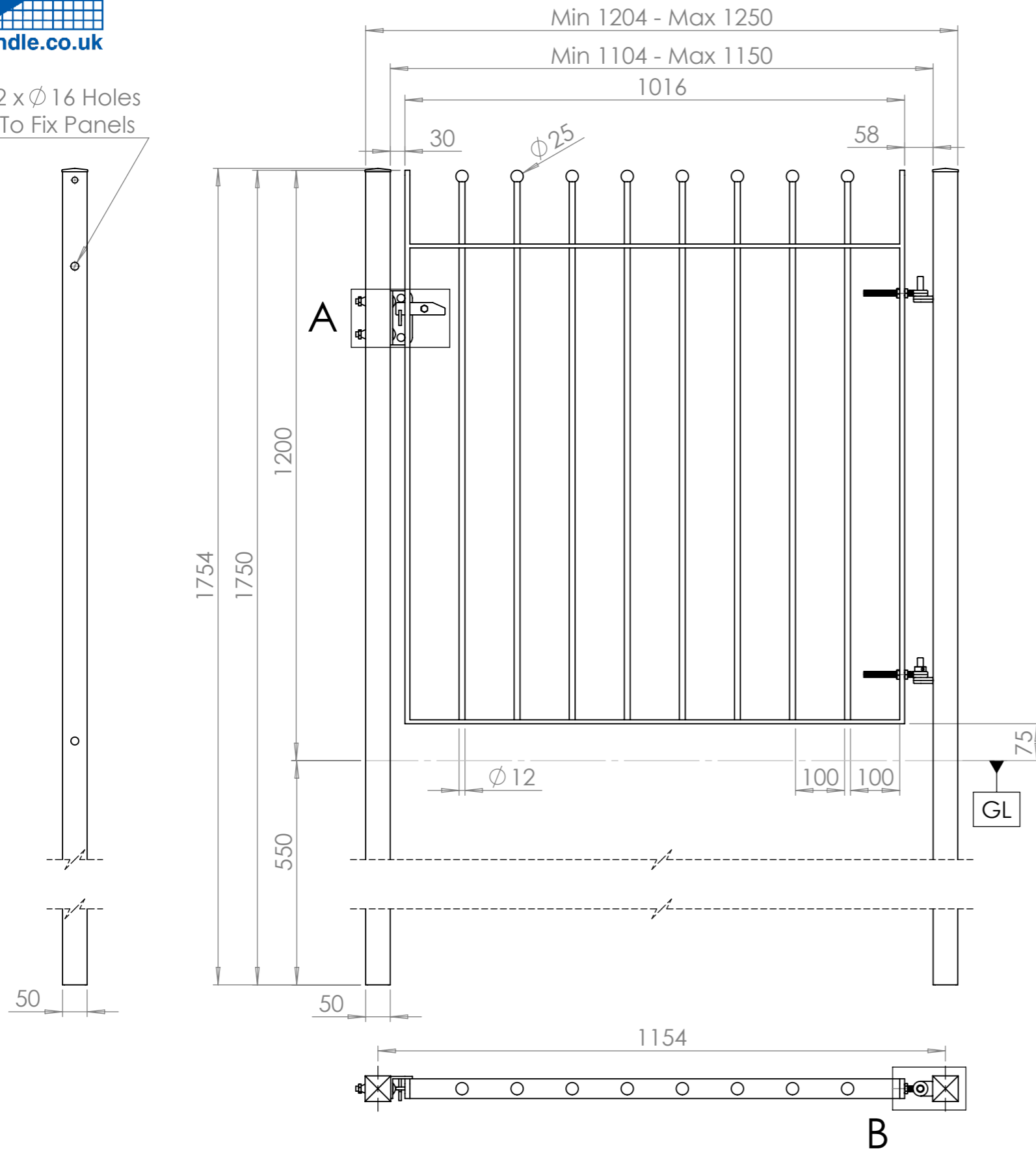
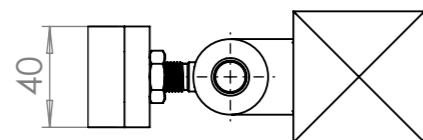
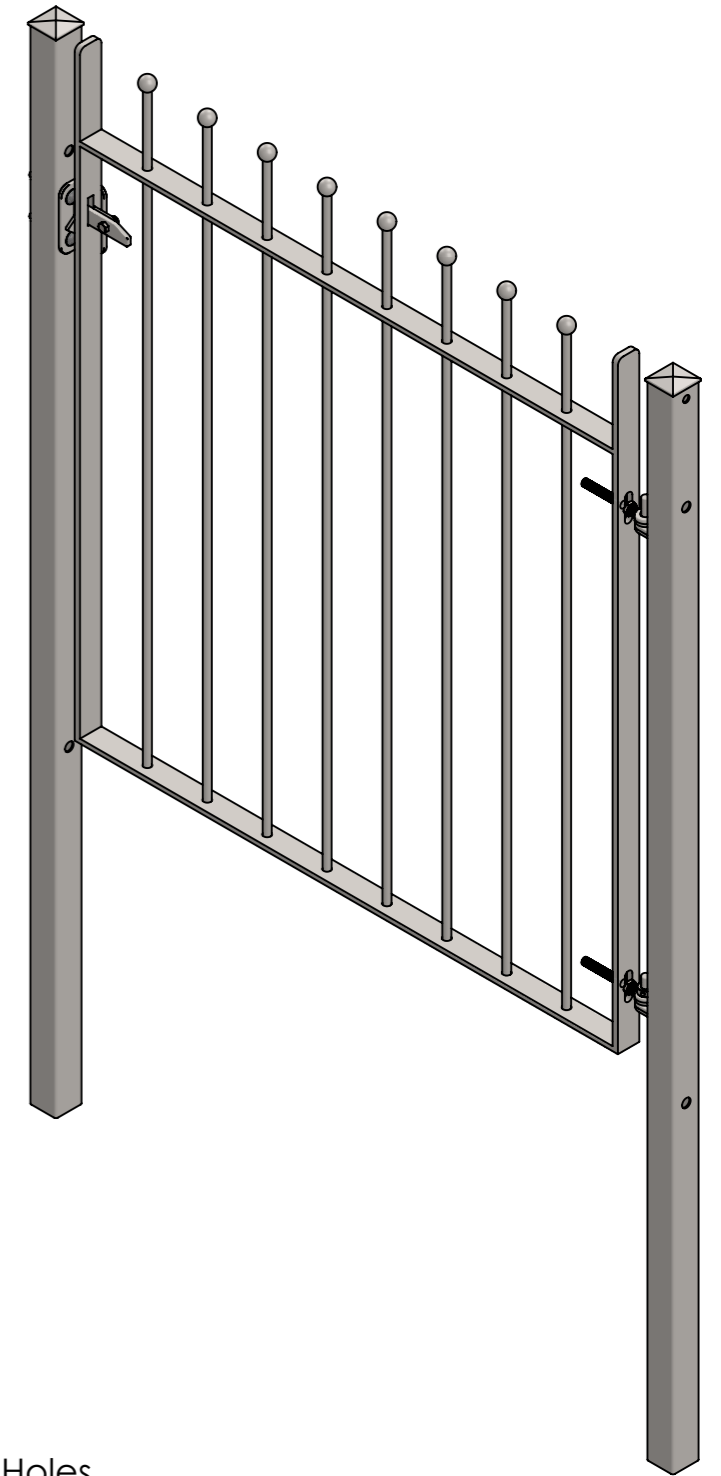
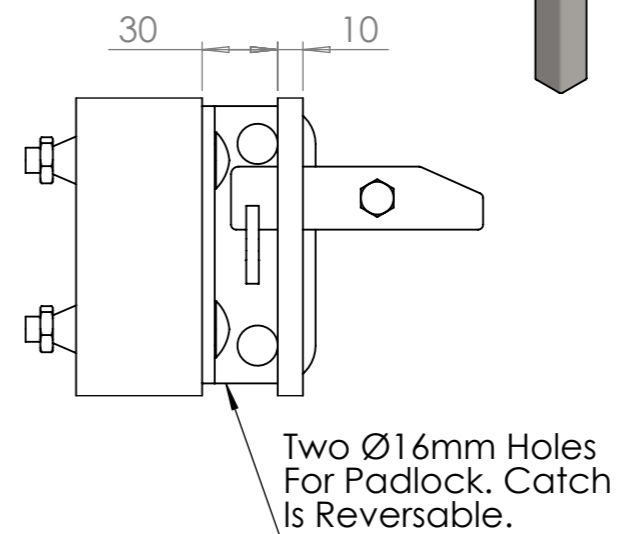


2 x Ø 16 Holes  
To Fix Panels



**DETAIL A**  
SCALE 1 : 3



**DETAIL B**  
SCALE 1 : 3

PART CODE	MATERIAL	FINISH
51SLCST12121	Mild Steel	HDG
51SLCST12121B	Mild Steel	HDG & PPC RAL 9005

DESCRIPTION: Sphere Top 1200mm High Single Gate With Concrete In Posts, c/w fixings

	NAME	DATE	REVISION	UNLESS OTHERWISE SPECIFIED ALL DIMENSIONS ARE IN MILLIMETERS	A3		
DRAWN	LT	08/05/2019	B			DO NOT SCALE DRAWING	SCALE:1:10
CHECKED	LT	15/09/2020					