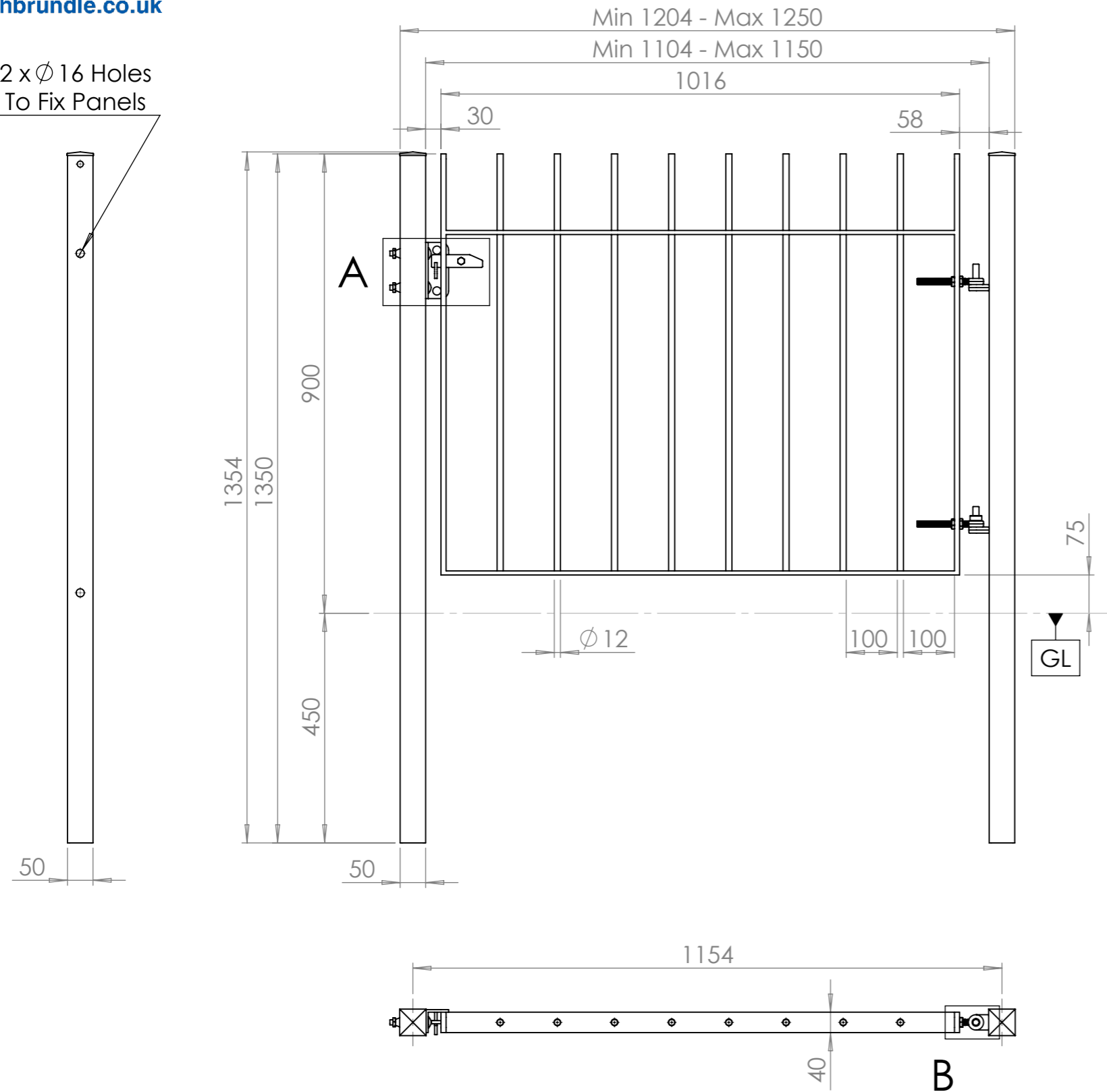
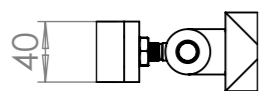
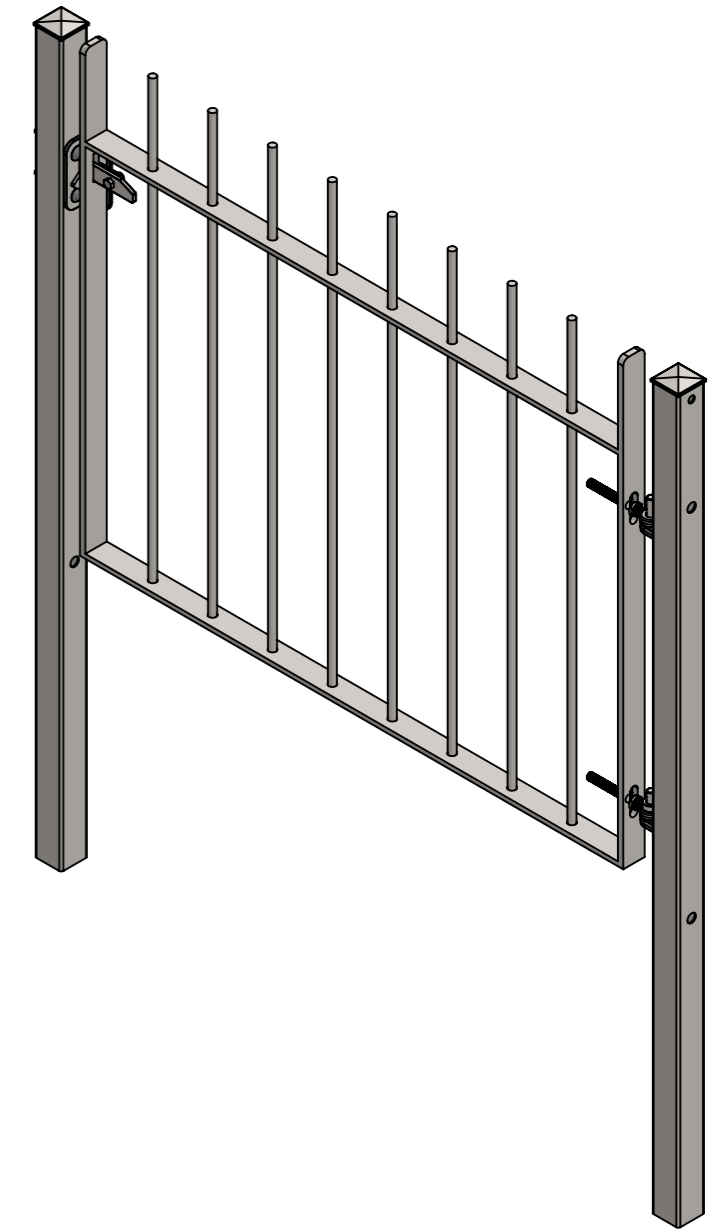
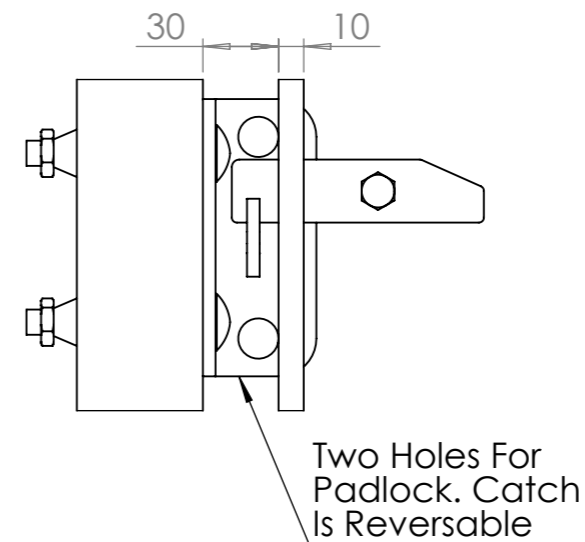


2 x ϕ 16 Holes
To Fix Panels



DETAIL A

SCALE 1 : 3



DETAIL B

SCALE 1 : 5

PART CODE	MATERIAL	FINISH
51SLCVB09121	Mild Steel	HDG
51SLCVB09121B	Mild Steel	HDG & PPC RAL 9005

DESCRIPTION: Vertical bar: 900mm high single leaf gate with concrete in posts

	NAME	DATE	REVISION	UNLESS OTHERWISE SPECIFIED ALL DIMENSIONS ARE IN MILLIMETERS	A3		
DRAWN	LT	10/06/2019	B			DO NOT SCALE DRAWING	SCALE:1:10
CHECKED	LT	15/09/2020					