

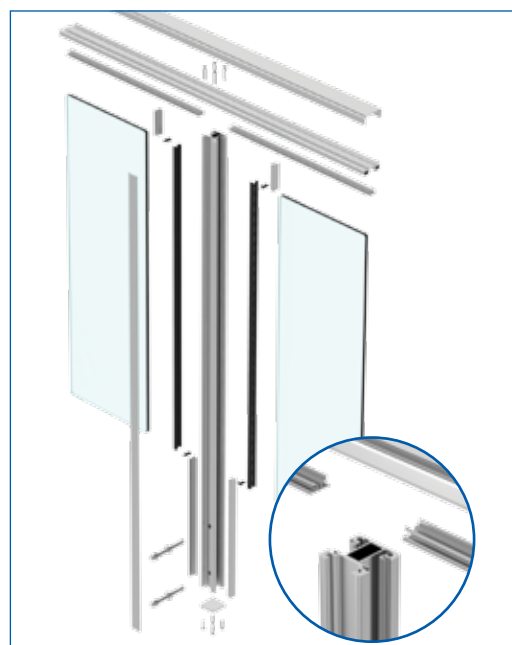
## 5050 RAILINGS



Marano® 5050 railings is an innovative railing system designed to be fully modular. The pre-assembled aluminium posts are ready to install. The system can be fully fitted using basic equipment and comes fully engineered to meet the requirements of most applications. Create 2 great looks with one system.

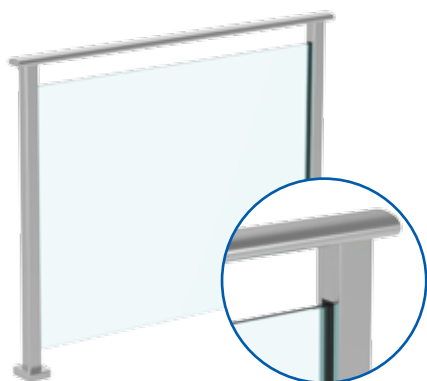
### FEATURES:

- Fully assembled 50 x 50mm square posts
- Aluminium & satin anodised finish
- To suit 10mm glass
- Suitable for indoor & outdoor installations
- Quick, safe & easy installation
- Gap between handrail & glass is 80mm
- Bottom edge of glass to floor is 90mm
- Tested to 1.2m posts centres
- Posts available in bolt-down & side-fix
- Posts are supplied complete with: post caps, screws to attach to handrail, plastic packers, rubbers to fit glass, blanking strip (side-fix posts) & base cover plate for bolt-down posts or two M12 x 120mm fixing screws, nuts & washers for side-fix posts



### ACHIEVE 2 GREAT LOOKS

**WITH HANDRAIL**  
Railing height 1125mm



- For 1200mm post centres
- Oval or rectangular handrail
- Gap between handrail & glass is 80mm
- Bottom edge of glass to floor is 90mm
- Glass panel is H 930 x W 1174mm

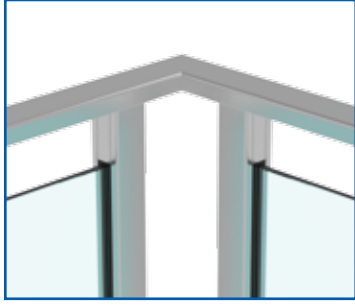
**WITHOUT HANDRAIL**  
Glass height to 1095mm



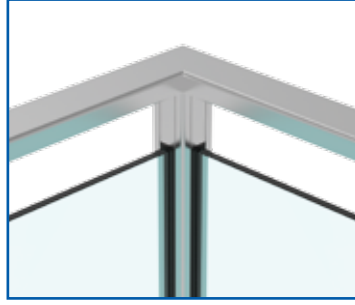
- Bottom edge of glass to floor is 90mm
- Glass panel is H 1005 x W 1174mm
- To achieve this design please order 1100mm rubbers code: **68RG1100**

## HOW TO TACKLE CORNERS

MITRED CUT NO POST



MITRED CUT WITH POST

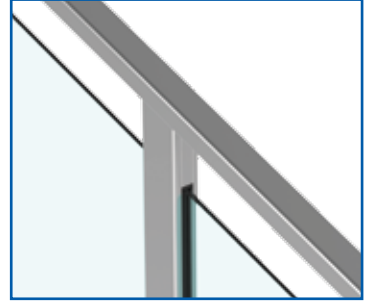


## HOW TO TACKLE GRADIENTS

MITRED CUT HANDRAIL

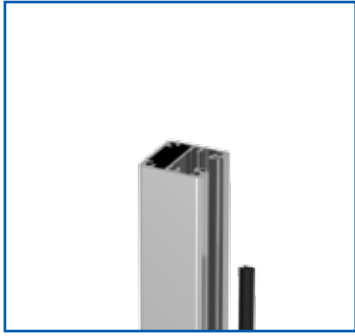


MITRED CUT POST

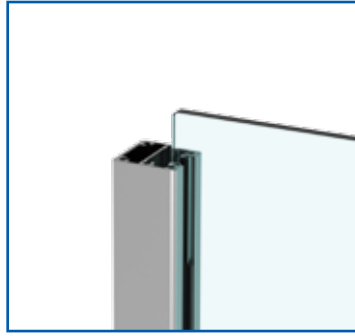


## FITTING GLASS

Fitting glass is easy with our 4 step guide.



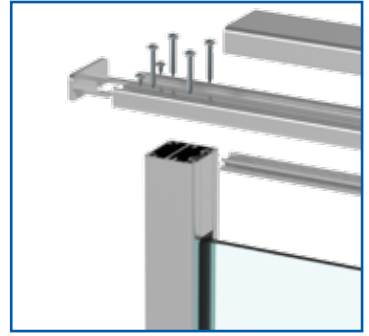
Fit captive rubber to the post.



Slide glass in from the top between posts.



Fit Packer rubber, top packer & infill.

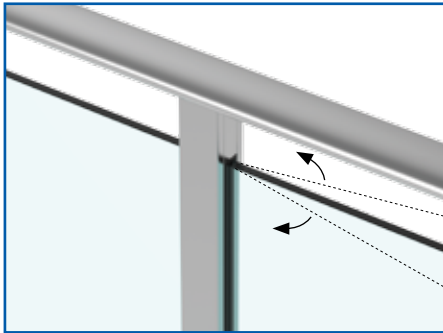


Fit the handrail (using the location jig). Slide on the handrail under-cap and top handrail.

When fitting glass make sure the captive rubber is fitted to the post, then install packer rubber once glass is in place.



## POST HEIGHT



- Posts can be cut down if a shorter height is needed
- Capping will slide back in to give 80mm gap from glass to rail
- Allows 8 - 10° glass angle each side with rubbers

Spray soapy water on rubbers to help slide glass into rubber locators.



**IF NO HANDRAIL IS REQUIRED, 1100mm RUBBERS WILL NEED TO BE ORDERED.**

Whilst every effort has been made to ensure the accuracy of the information supplied. F.H.Brundle cannot be held responsible for any errors or omissions. This product must only be employed for its original intended use. Any other use is wrong and potentially dangerous. Installation must be carried out in full compliance with current regulations. F.H.Brundle cannot be held liable for any damages resulting from wrongful, erroneous or negligent use.

Nov 2018