

## ICONS

Throughout this section there are various icons to help you with your product selection.

∅ Diameter



Technical information that can be found on our website



# SLIDING DOOR GEAR

## INDEX

ACCESSORIES.....	379
INTERNAL KITS.....	380
ROLLAWAY DOOR SYSTEM..	374
SERIES 41K075.....	375
SERIES 41K150.....	376
SERIES 41K300.....	377
SERIES 41K500.....	378



# ROLLAWAY DOOR SYSTEM



## ROLLAWAY 250

### TOP GUIDE CHANNEL

Steel red oxide finish



Length m	Code
3	41227

### TOP CHANNEL FIX BRACKET



Code
412A27

Fix at 600mm spacings.

### TOP GUIDE ROLLER



Code
4124827B

Fix 2 per door.

### TRACK 616

16mm track



Height mm	Width mm	Length m	Code
50	50	3	05GD616Z3

Galvanised.

### ROLLER 250



Ø mm	Code
90	41210716

Fit 2 per door.

### ROLLER 500



Ø mm	Code
120	0515094

Fit 2 per door.

## ROLLAWAY 500

### TOP GUIDE CHANNEL

Galvanised Steel



Length m	Code
3	415810

### TOP CHANNEL FIX BRACKET



Code
415A810

Fix at 600mm spacings.

### TOP GUIDE ROLLER



Code
4150831

Fix 2 per door.

### TRACK 620

20mm track



Height mm	Width mm	Length m	Code
60	60	3	05GD620Z3

Galvanised.

### DOOR STOP

Ground or wall mounted



Ø mm	Code
120	415116AP

Fitted with internal spring damper.  
Suitable for 250 and 500.

Series	Max. Door Weight kg	Max. Door Width mm	Max. Door Height mm	Min. Door Thickness mm
250	250	2000	3500	44
500	500	3000	4000	50

Bottom rolling door systems designed for medium and large size industrial and commercial steel doors. If your application is agricultural we would recommend series 500.  
Not recommended for high wind load areas.

FULL TECHNICAL DETAILS CAN  
BE FOUND ON OUR WEBSITE  
[www.fhbrundle.co.uk](http://www.fhbrundle.co.uk)





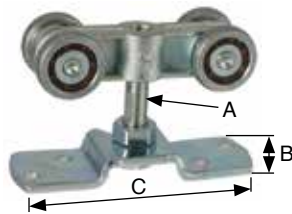
### TRACK



Length m	Code
2	41K0752
3	41K0753

H 27 x W 30 x Thickness 1.5mm.

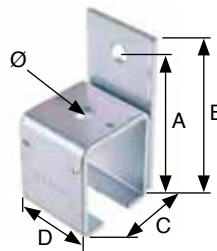
### HANGER



A mm	B mm	C mm	Code
M8 x 40	25	80	41PP075

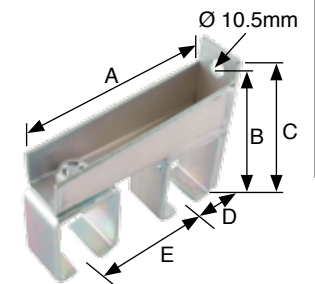
Suitable for metal & timber doors.

### FACE FIX BRACKET



A mm	B mm	C mm	D mm	Ø mm	Code
46	52	36	30	6	41SKU075

### DOUBLE FACE FIX BRACKET

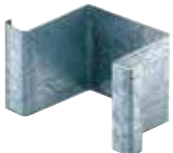


A mm	B mm	C mm	D mm	E mm	Code
83	44	50	20	35 - 50	41SK2075

Adjustable.

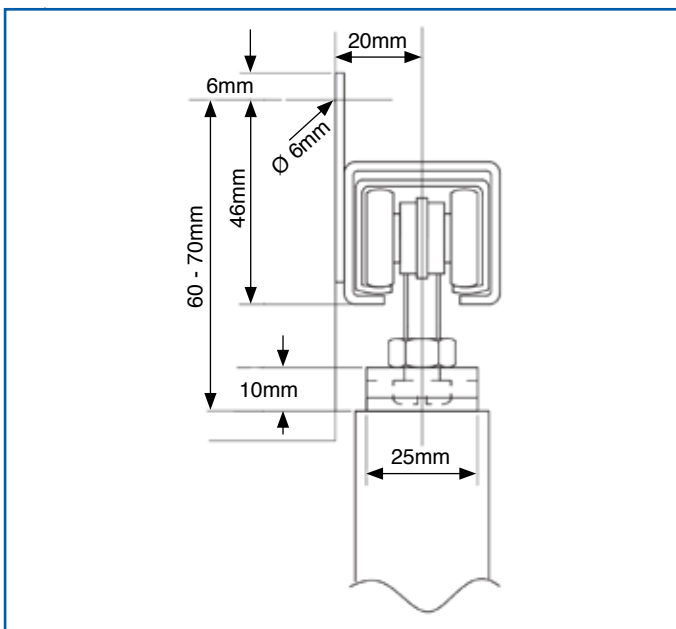
SLIDING  
DOOR GEAR

### END CLIP

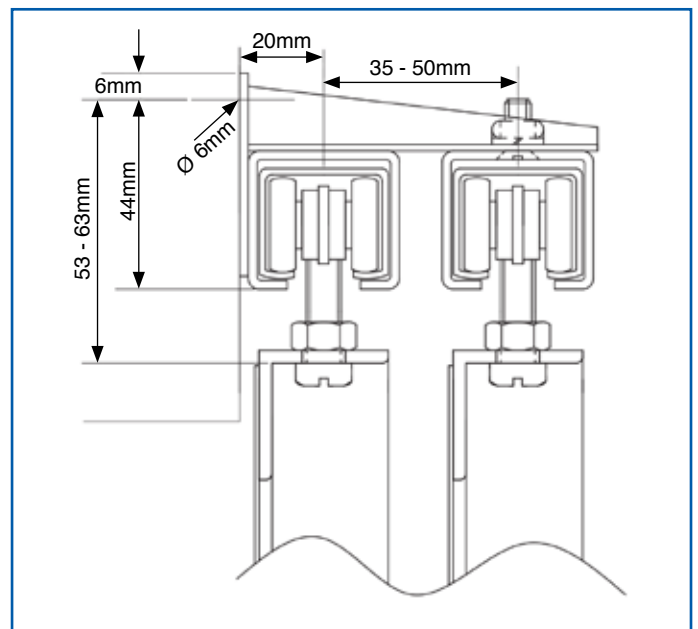


Code
41PK075

FULL TECHNICAL DETAILS CAN  
BE FOUND ON OUR WEBSITE  
[www.fhbrundle.co.uk](http://www.fhbrundle.co.uk)



Example: Timber door on a single track.



Example: Two metal doors on a double track.

# SERIES 41K150

MAXIMUM DOOR WEIGHT 150kg



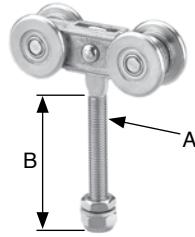
## TRACK



Length m	Code
2	41K1502
3	41K1503

H 47 x W 36 x Thickness 2mm.

## HANGER



A mm	B mm	Code
M10	70	41MP150

For use on metal doors.

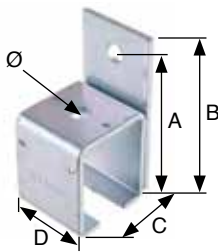
## CURTAIN HANGER



Code
41VP2150

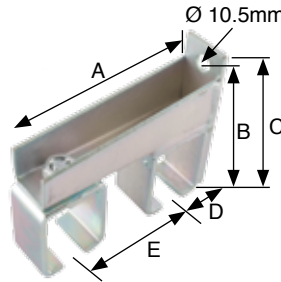
Hook Ø 7mm. Maximum loading 50kg

## FACE FIX BRACKET



A mm	B mm	C mm	D mm	Ø mm	Code
68	82	49	30	10.5	41SK151

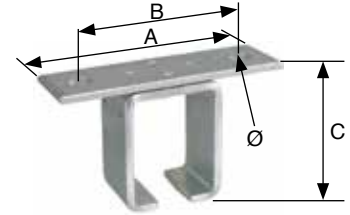
## DOUBLE FACE FIX BRACKET



A mm	B mm	C mm	D mm	E mm	Code
120	95	108	27	55 - 75	41SK152

Adjustable.

## SOFFIT FIX BRACKET



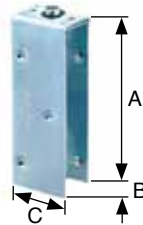
A mm	B mm	C mm	Ø mm	Code
75	100	60	10.5	41KKK151

## BRACKET BODY



A mm	Ø mm	Code
56	10.5	41KKK151

## TIMBER DOOR PLATE



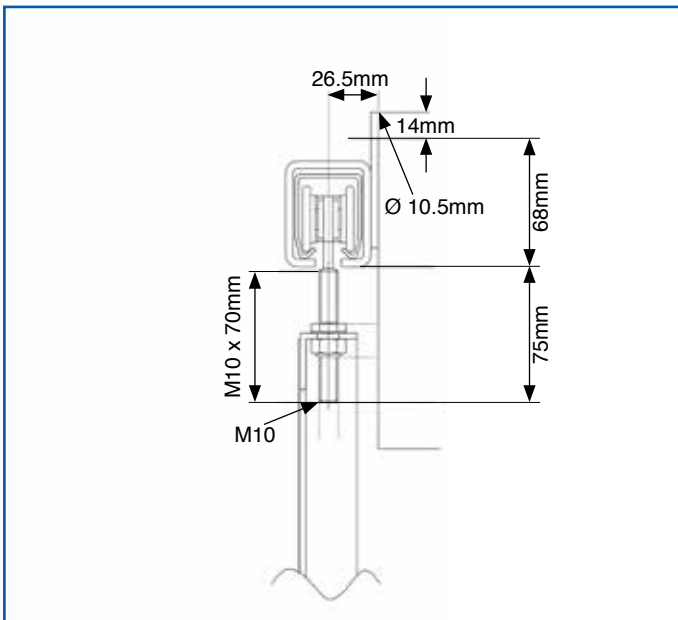
A mm	B mm	C mm	Code
152	30 - 42	57	41PP150

Adjustable to suit various door thicknesses..

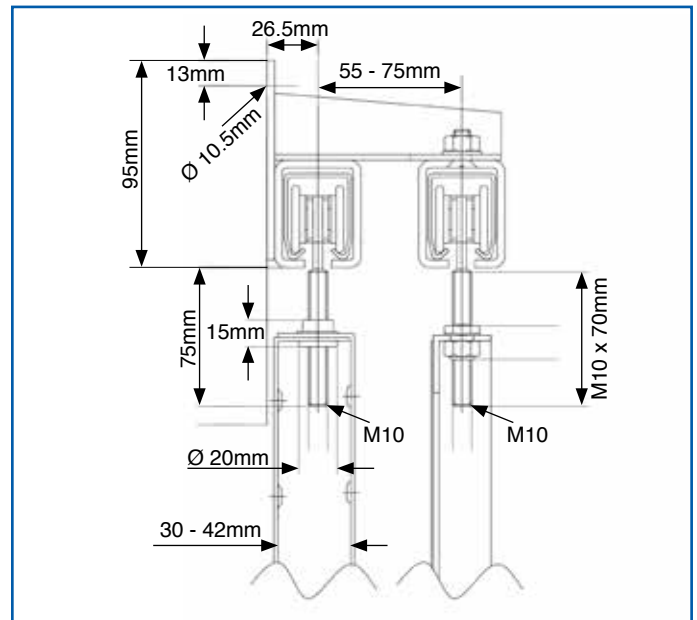
## END CLIP



Code
41PK151



Example: Metal door on a single track.



Example: Timber door and metal door on a double track.

SLIDING DOOR GEAR

# SERIES 41K300

MAXIMUM DOOR WEIGHT 300kg

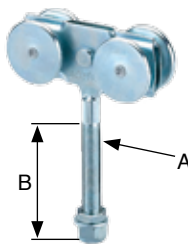
## TRACK



Length m	Code
2	41K3002
3	41K3003

H 65 x W 55 x Thickness 2mm.

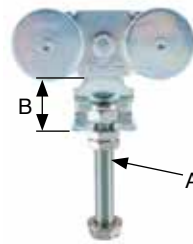
## HANGER



A mm	B mm	Code
M16	100	41MP300

For use on metal doors.

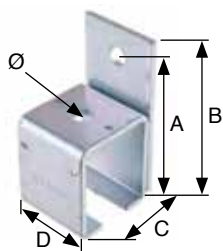
## HANGER



A mm	B mm	Code
M16 x 100	40	41MPS300

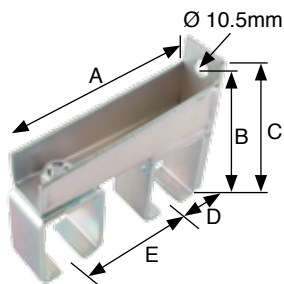
For steel fire doors. Bearing to withstand temperatures of up to 300°.

## FACE FIXING SIDE WALL BRACKET



A mm	B mm	C mm	D mm	Ø mm	Code
108	130	71	60	14.3	41SK301

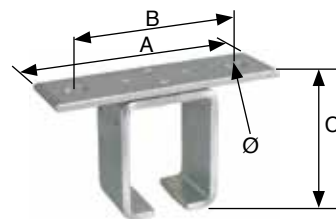
## DOUBLE FACE FIXING SIDE WALL BRACKET



A mm	B mm	C mm	D mm	E mm	Code
185	106	130	38	80 - 120	41SK302

Adjustable.

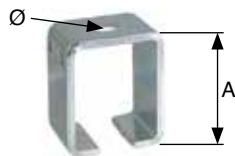
## BRACKET



A mm	B mm	C mm	Ø mm	Code
165	120	81	14.3	41KKK301

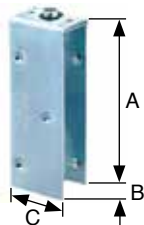
SLIDING DOOR GEAR

## BRACKET BODY



A mm	Ø mm	Code
76	13	41KK301

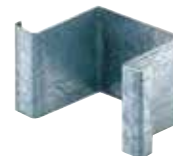
## TIMBER DOOR PLATE



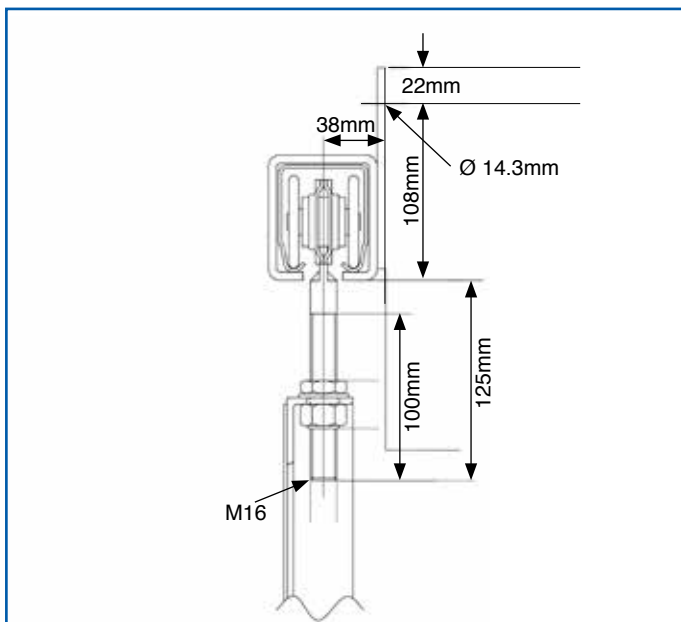
A mm	B mm	C mm	Code
170	44 - 58	75	41PP300

Adjustable to suit various door thicknesses..

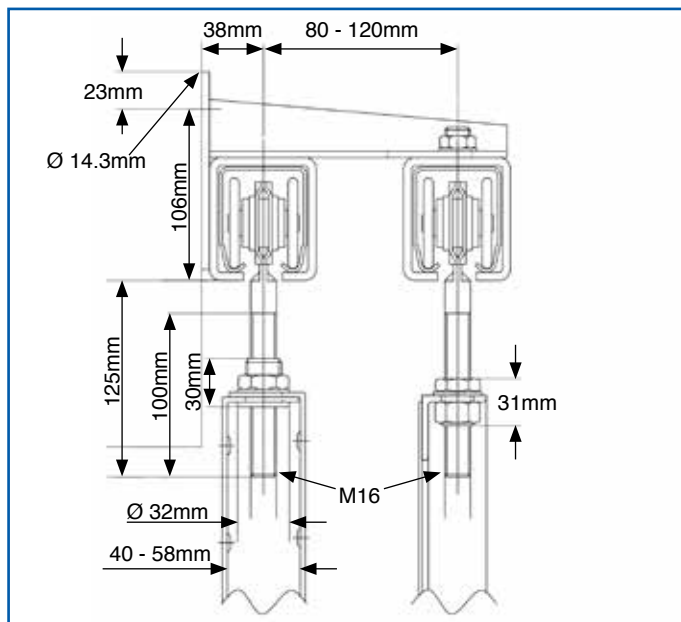
## END CLIP



Code
41PK300



Example: Metal door on a single track.



Example: Timber door and metal door on a double track.

# SERIES 41K500

MAXIMUM DOOR WEIGHT 500kg



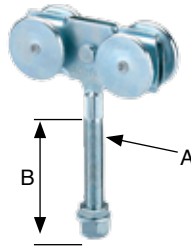
## TRACK



Length m	Code
2	41K5002
3	41K5003

H 65 x W 55 x Thickness 2.5mm.

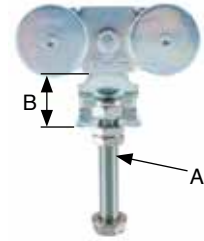
## HANGER



A mm	B mm	Code
M16	100	41MP300

For use on metal doors.

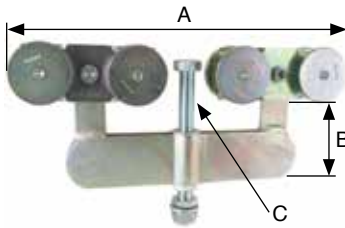
## HANGER



A mm	B mm	Code
M16 x 100	40	41MPS300

For steel fire doors. Bearing to withstand temperatures of up to 300°.

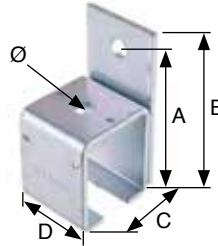
## HANGER



A mm	B mm	C mm	Code
328	78	M16 x 150	41MPT600

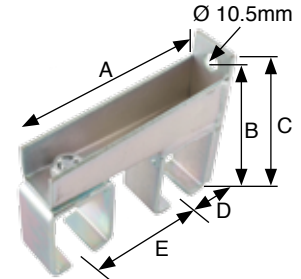
For use on metal doors only.

## FACE FIX BRACKET



A mm	B mm	C mm	D mm	Ø mm	Code
108	130	71	60	14.3	41SK301

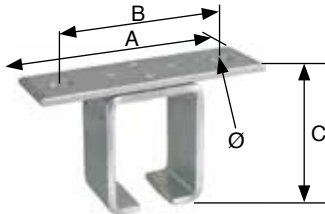
## DOUBLE FACE FIX BRACKET



A mm	B mm	C mm	D mm	E mm	Code
185	106	130	38	80 - 120	41SK302

Adjustable.

## BRACKET FOR SOFFIT FIX



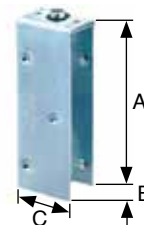
A mm	B mm	C mm	Ø mm	Code
165	120	81	14.3	41KKK301

## BRACKET BODY



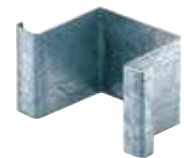
A mm	Ø mm	Code
76	13	41KK301

## TIMBER DOOR PLATE



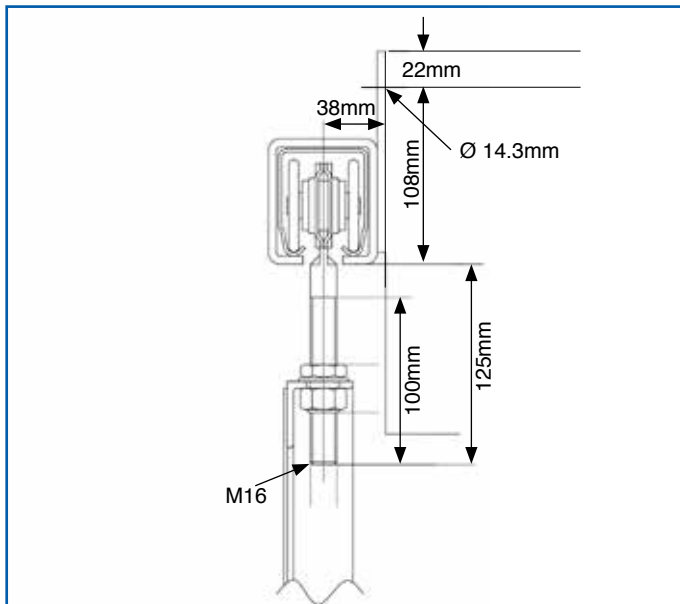
A mm	B mm	C mm	Code
170	44 - 58	75	41PP300

## END CLIP

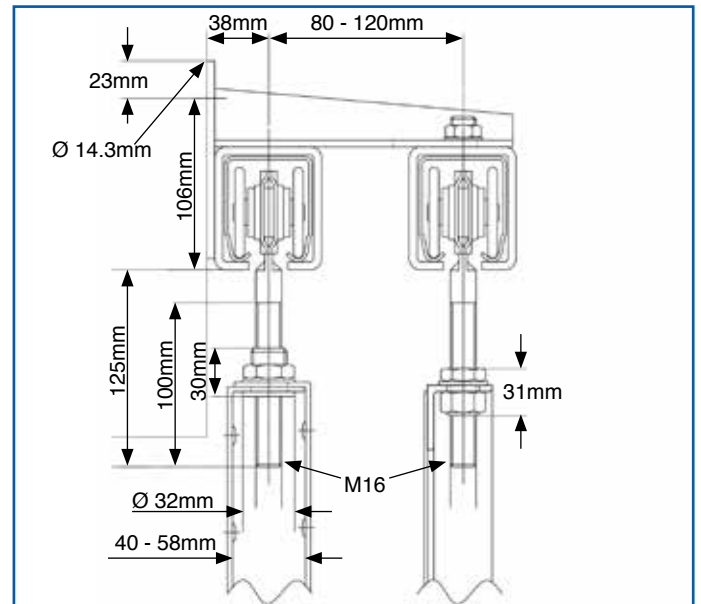


Code
41PK300

Adjustable to suit various door thicknesses.



Example: Metal door on a single track.



Example: Timber door and metal door on a double track.

## GUIDE SYSTEMS

### GUIDE CHANNEL



Height mm	Width mm	Width m	Code
25	27	3	41AOK3

Not pre-drilled. Thickness 3mm. Zinc plated.

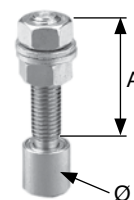
### GUIDE CHANNEL



Height mm	Width mm	Width m	Code
25	27	3	41253

Thickness 3mm. Galvanised.

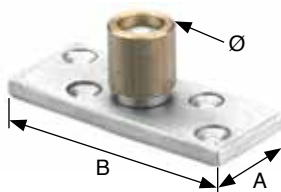
### GUIDE ROLLER



A mm	Ø mm	Code
M12 x 50	19	41AUK

For use on metal doors. Fit 2 per door.

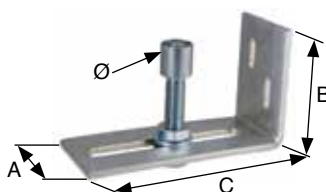
### UNDER GUIDE ROLLER



A mm	B mm	Ø mm	Code
30	75	19	414025B

For use on metal doors. Fit 2 per door when used with ground channels & 1 if using under door channel

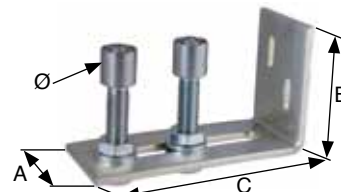
### WALL GUIDE



A mm	B mm	C mm	Ø mm	Code
50	76	125	19	41A012

Slot length 100mm.

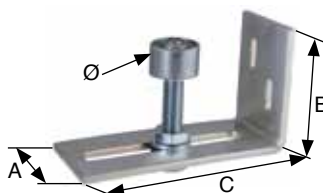
### WALL GUIDE



A mm	B mm	C mm	Ø mm	Code
50	75	125	19	41A022

Slot length 100mm. Maximum door thickness 65mm.

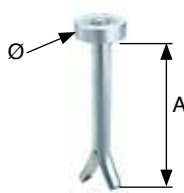
### WALL GUIDE



A mm	B mm	C mm	Ø mm	Code
50	75	125	30	41A013

Slot length 100mm.

### GROUND GUIDE



A mm	Ø mm	Code
M12 x 50	19	4165

Designed for setting into concrete.

**FULL TECHNICAL  
DETAILS CAN  
BE FOUND ON OUR  
WEBSITE**

[www.fhbrundle.co.uk](http://www.fhbrundle.co.uk)



## HANDLES & STOPS

### PULL HANDLES



Size mm	Code
Ø 20 x 230 x 64	171170
Ø 28 x 345 x 80	171171

Galvanised.

### FLUSH PULLS



Height mm	Width mm	Code
115	52	41511F
200	90	41501F

### GROUND/DOOR STOP



Code
41P

### TRACK STOP



Code
41KPP075

### TRACK STOP



Code
41KP150

### TRACK STOP



Code
41KP300



# INTERNAL SLIDING DOOR GEAR



## STAINLESS STEEL KIT FOR GLASS DOORS

## STAINLESS STEEL KIT FOR SOLID DOORS



- Satin polish stainless steel Type 304
- Overall rail length 2000mm
- Max door width 1000mm
- Max door weight 90kg
- For glass thickness 8 – 12mm
- Additional door handles available (*see below*)

- Satin polish stainless steel Type 304
- Overall rail length 2000mm
- Max door width 1000mm
- Max door weight 80kg
- Additional door handles available (*see below*)

**SLIDING RAIL**  
2m length

**SLIDING DOOR ROLLER**  
2 per kit

**SLIDING RAIL**  
2m length

**SLIDING DOOR ROLLER**  
2 per kit



**WALL BRACKET**  
4 per kit

**FLOOR GUIDE**  
1 per kit

**WALL BRACKET**  
4 per kit

**FLOOR GUIDE**  
1 per kit



**DOOR STOP**  
2 per kit

**END CAP**  
2 per kit

**DOOR STOP**  
2 per kit

**END CAP**  
2 per kit



Code  
41001

Code  
41002

## STAINLESS STEEL DOOR HANDLES



Satin polish stainless steel Type 304. Suitable for glass or wood door. Supplied in pairs.

Length mm	Code
400	4100H

Suitable for codes: 41001 & 41002.



# INTERNAL SLIDING DOOR GEAR

## MILD STEEL KIT FOR SOLID DOORS

## WITH PELMET FOR WOODEN DOORS



SLIDING DOOR GEAR

- Mild steel black powder coated
- Overall rail length 2000mm
- Max door width 1000mm
- Max door weight 90kg
- Anti jump block
- Floor guide suitable for 20 x 7mm groove

- Overall rail length 2000mm
- Max door width 1000mm
- Max door weight 60kg

**SLIDING RAIL**  
2m length

**SLIDING DOOR ROLLER**  
2 per kit

**ALUMINIUM TRACK**  
2m length

**SLIDING DOOR ROLLER**  
2 per kit



**CLAMP FIXING FOR TRACK**  
5 per kit

**FLOOR GUIDE**  
1 per kit

**CONNECTOR**  
For pelmet to track. 5 per kit

**NYLON FLOOR GUIDE**  
1 per kit



**DOOR STOP**  
2 per kit

**ANTI-JUMP BLOCK**  
2 per kit

**NYLON DOOR STOP**  
2 per kit

**PLYWOOD COVER**  
1 per kit



**PLYWOOD END CAP**  
2 per kit



Code
41003

Code
41004

FULL TECHNICAL DETAILS CAN BE FOUND ON OUR WEBSITE  
[www.fhbrundle.co.uk](http://www.fhbrundle.co.uk)

