

ICONS

Throughout this section there are various icons to help you with your product selection.

∅ Diameter



Technical information that can be found on our website

SLIDING DOOR GEAR





INDEX

ACCESSORIES.....	353
INTERNAL KITS.....	354-355
ROLLAWAY DOOR SYSTEM.....	348
SERIES 41K075.....	349
SERIES 41K150.....	350
SERIES 41K300.....	351
SERIES 41K500.....	352

ROLLAWAY DOOR SYSTEM



ROLLAWAY 250

TOP GUIDE CHANNEL

Steel red oxide finish



Length m	Code
3	41227

TOP CHANNEL FIX BRACKET



Code
412A27

Fix at 600mm spacings.

TOP GUIDE ROLLER



Code
4124827B

Fix 2 per door.

TRACK 616

16mm track



Height mm	Width mm	Length m	Code
50	50	3	05GD616Z3

Galvanised.

ROLLER 250



Ø mm	Code
90	41210716

Fit 2 per door.

ROLLER 500



Ø mm	Code
120	0515094

Fit 2 per door.

ROLLAWAY 500

TOP GUIDE CHANNEL

Galvanised Steel



Length m	Code
3	415810

TOP CHANNEL FIX BRACKET



Code
415A810

Fix at 600mm spacings.

TOP GUIDE ROLLER



Code
4150831

Fix 2 per door.

TRACK 620

20mm track



Height mm	Width mm	Length m	Code
60	60	3	05GD620Z3

Galvanised.

DOOR STOP

Ground or wall mounted



Ø mm	Code
120	415116AP

Fitted with internal spring damper.
Suitable for 250 and 500.

Series	Max. Door Weight kg	Max. Door Width mm	Max. Door Height mm	Min. Door Thickness mm
250	250	2000	3500	44
500	500	3000	4000	50

Bottom rolling door systems designed for medium and large size industrial and commercial steel doors. If your application is agricultural we would recommend series 500.
Not recommended for high wind load areas.

FULL TECHNICAL DETAILS CAN
BE FOUND ON OUR WEBSITE
www.fhbrundle.co.uk





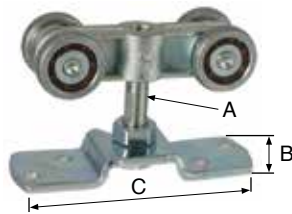
TRACK



Length m	Code
2	41K0752
3	41K0753

H 27 x W 30. Thickness 1.5mm.

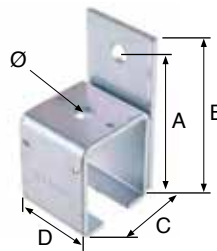
HANGER



A mm	B mm	C mm	Code
M8 x 40	25	80	41PP075

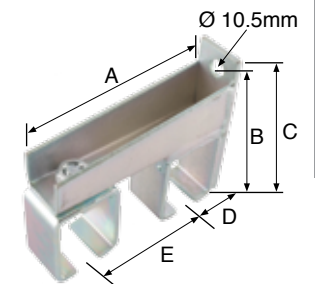
Suitable for metal & timber doors.

FACE FIX BRACKET



A mm	B mm	C mm	D mm	Ø mm	Code
46	52	36	30	6	41SKU075

DOUBLE FACE FIX BRACKET

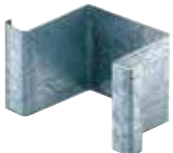


A mm	B mm	C mm	D mm	E mm	Code
83	44	50	20	35 - 50	41SK2075

Adjustable.

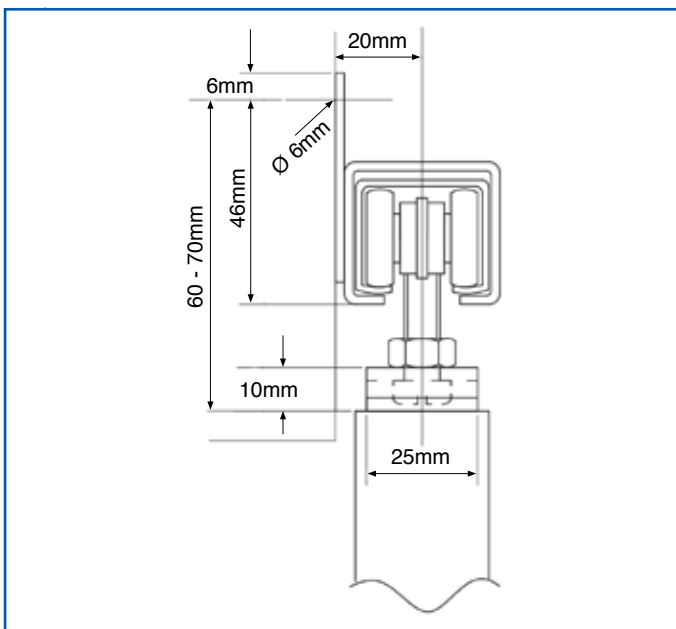
SLIDING
DOOR GEAR

END CLIP

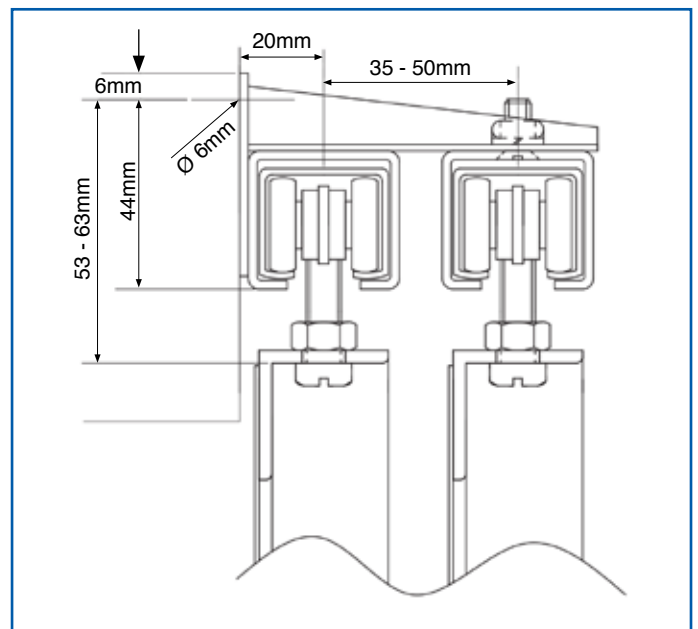


Code
41PK075

FULL TECHNICAL DETAILS CAN
BE FOUND ON OUR WEBSITE
www.fhbrundle.co.uk



Example: Timber door on a single track.



Example: Two metal doors on a double track.

SERIES 41K150



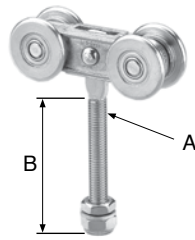
MAXIMUM DOOR WEIGHT 150kg
TRACK



Length m	Code
2	41K1502
3	41K1503

H 47 x W 36. Thickness 2mm.

HANGER



A mm	B mm	Code
M10	70	41MP150

For use on metal doors.

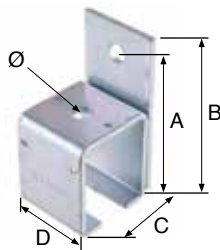
CURTAIN HANGER



Code
41VP2150

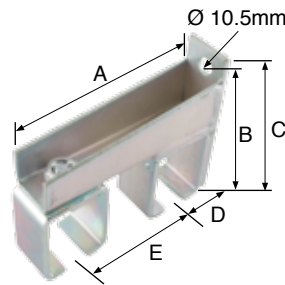
Hook Ø 7mm. Maximum loading 50kg

FACE FIX
BRACKET



A mm	B mm	C mm	D mm	Ø mm	Code
68	82	49	30	10.5	41SK151

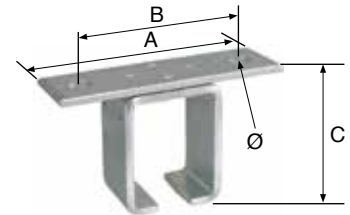
DOUBLE FACE FIX
BRACKET



A mm	B mm	C mm	D mm	E mm	Code
120	95	108	27	55 - 75	41SK152

Adjustable.

SOFFIT FIX
BRACKET



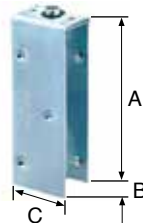
A mm	B mm	C mm	Ø mm	Code
75	100	60	10.5	41KKK151

BRACKET BODY



A mm	Ø mm	Code
56	10.5	41KKK151

TIMBER DOOR PLATE



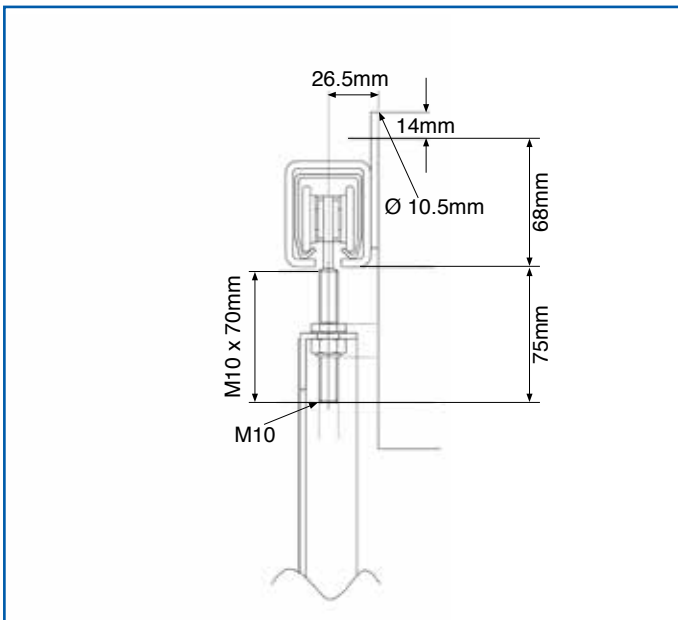
A mm	B mm	C mm	Code
152	30 - 42	57	41PP150

Adjustable to suit various door thicknesses..

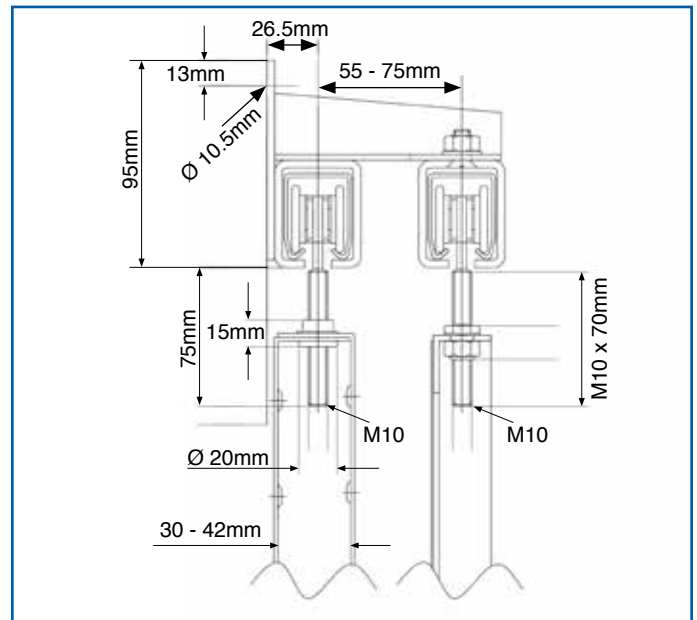
END CLIP



Code
41PK151



Example: Metal door on a single track.



Example: Timber door and metal door on a double track.

MAXIMUM DOOR WEIGHT 300kg

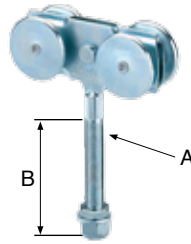
TRACK



Length m	Code
2	41K3002
3	41K3003

H 65 x W 55. Thickness 2mm.

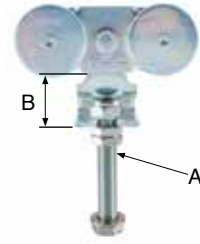
HANGER



A mm	B mm	Code
M16	100	41MP300

For use on metal doors.

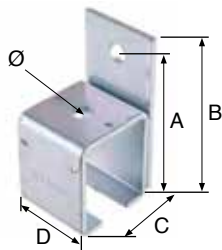
HANGER



A mm	B mm	Code
M16 x 100	40	41MPS300

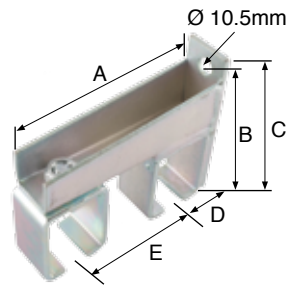
For steel fire doors. Bearing to withstand temperatures of up to 300°.

FACE FIXING SIDE WALL BRACKET



A mm	B mm	C mm	D mm	Ø mm	Code
108	130	71	60	14.3	41SK301

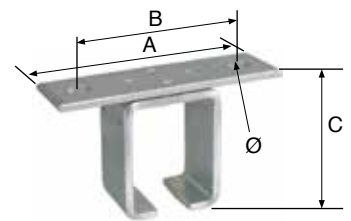
DOUBLE FACE FIXING SIDE WALL BRACKET



A mm	B mm	C mm	D mm	E mm	Code
185	106	130	38	80 - 120	41SK302

Adjustable.

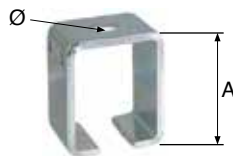
BRACKET



A mm	B mm	C mm	Ø mm	Code
165	120	81	14.3	41KKK301

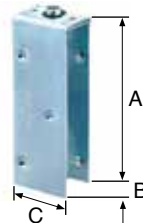
SLIDING DOOR GEAR

BRACKET BODY



A mm	Ø mm	Code
76	13	41KK301

TIMBER DOOR PLATE



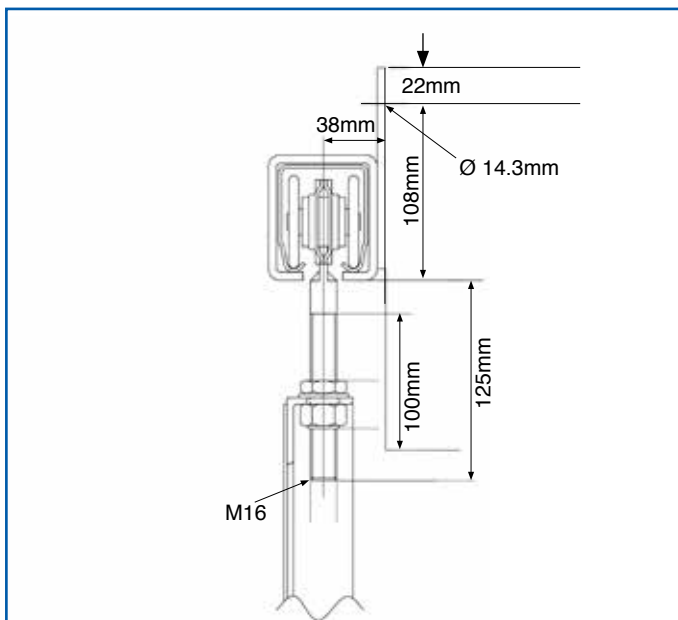
A mm	B mm	C mm	Code
170	44 - 58	75	41PP300

Adjustable to suit various door thicknesses..

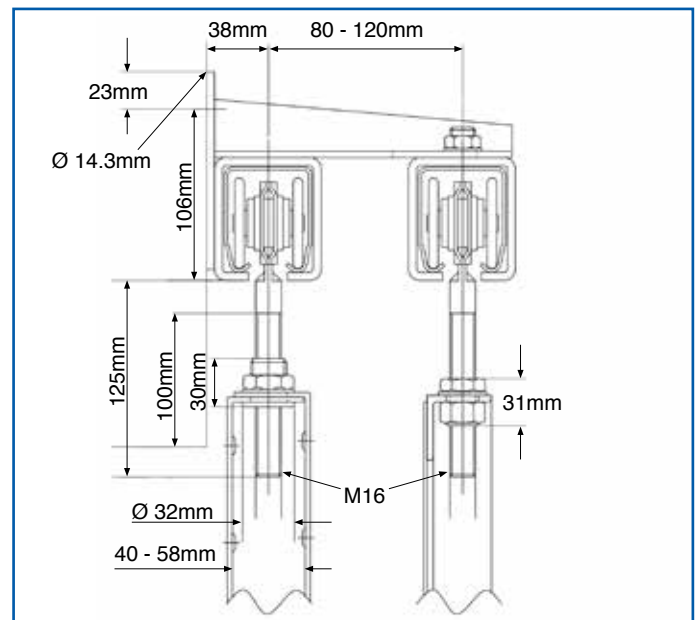
END CLIP



Code
41PK300



Example: Metal door on a single track.



Example: Timber door and metal door on a double track.

SERIES 41K500



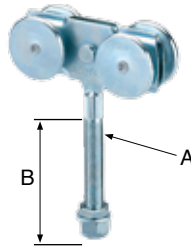
MAXIMUM DOOR WEIGHT 500kg
TRACK



Length m	Code
2	41K5002
3	41K5003

H 65 x W 55. Thickness 2.5mm.

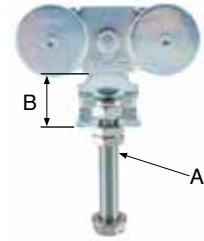
HANGER



A mm	B mm	Code
M16	100	41MP300

For use on metal doors.

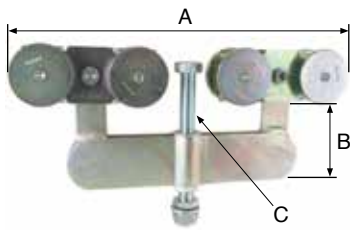
HANGER



A mm	B mm	Code
M16 x 100	40	41MPS300

For steel fire doors. Bearing to withstand temperatures of up to 300°.

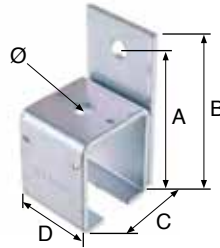
HANGER



A mm	B mm	C mm	Code
328	78	M16 x 150	41MPT600

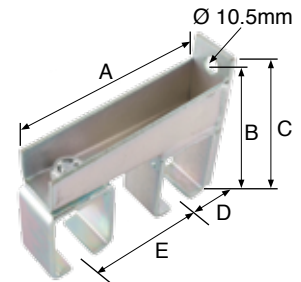
For use on metal doors only.

FACE FIX BRACKET



A mm	B mm	C mm	D mm	Ø mm	Code
108	130	71	60	14.3	41SK301

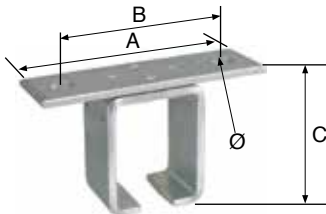
DOUBLE FACE FIX BRACKET



A mm	B mm	C mm	D mm	E mm	Code
185	106	130	38	80 - 120	41SK302

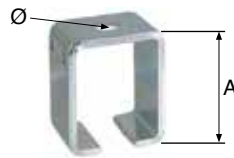
Adjustable.

BRACKET FOR SOFFIT FIX



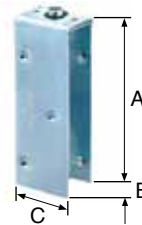
A mm	B mm	C mm	Ø mm	Code
165	120	81	14.3	41KKK301

BRACKET BODY



A mm	Ø mm	Code
76	13	41KK301

TIMBER DOOR PLATE



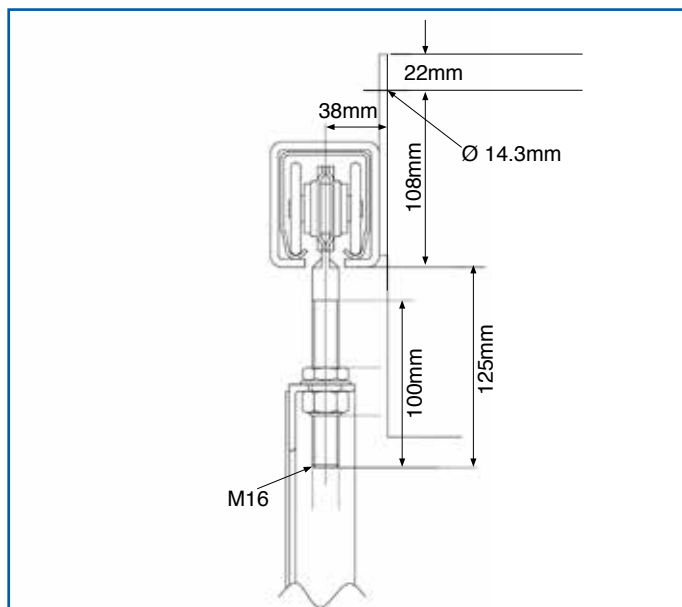
A mm	B mm	C mm	Code
170	44 - 58	75	41PP300

END CLIP

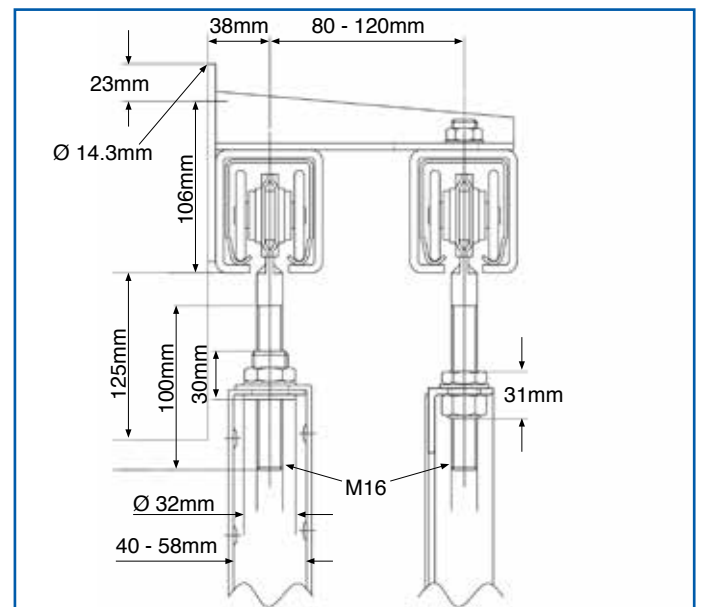


Code
41PK300

Adjustable to suit various door thicknesses.



Example: Metal door on a single track.



Example: Timber door and metal door on a double track.

SLIDING DOOR GEAR

GUIDE CHANNEL



Height mm	Width mm	Length m	Code
25	27	3	41AOK3

Not pre-drilled. Thickness 3mm. Zinc plated.

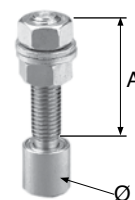
GUIDE CHANNEL



Height mm	Width mm	Length m	Code
25	27	3	41253

Thickness 3mm. Galvanised.

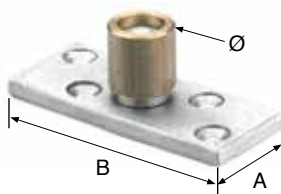
GUIDE ROLLER



A mm	Ø mm	Code
M12 x 50	19	41AUK

For use on metal doors. Fit 2 per door.

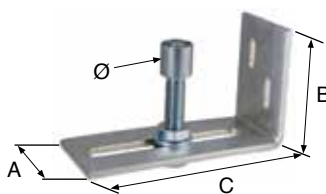
UNDER GUIDE ROLLER



A mm	B mm	Ø mm	Code
30	75	19	414025B

For use on metal doors. Fit 2 per door when used with ground channels & 1 if using under door channel

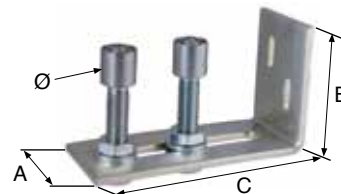
WALL GUIDE



A mm	B mm	C mm	Ø mm	Code
50	76	125	19	41A012

Slot length 100mm.

WALL GUIDE

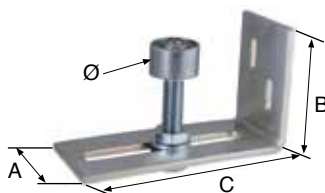


A mm	B mm	C mm	Ø mm	Code
50	75	125	19	41A022

Slot length 100mm. Maximum door thickness 65mm.

SLIDING
DOOR GEAR

WALL GUIDE



A mm	B mm	C mm	Ø mm	Code
50	75	125	30	41A013

Slot length 100mm.

GROUND GUIDE



A mm	Ø mm	Code
M12 x 50	19	4165

Designed for setting into concrete.

**FULL TECHNICAL
DETAILS CAN
BE FOUND ON OUR
WEBSITE**
www.fhbrundle.co.uk

HANDLES & STOPS

PULL HANDLES



Size mm	Code
Ø 20 x 230 x 64	171170
Ø 28 x 345 x 80	171171

Galvanised.

FLUSH PULLS



Height mm	Width mm	Code
115	52	41511F
200	90	41501F

GROUND/DOOR STOP



Code
41P

TRACK STOP



Code
41KPP075

TRACK STOP



Code
41KP150

TRACK STOP



Code
41KP300

INTERNAL SLIDING DOOR GEAR



STAINLESS STEEL KIT FOR GLASS DOORS

STAINLESS STEEL KIT FOR SOLID DOORS



- Satin polish stainless steel Grade 304
- Overall rail length 2000mm
- Max door width 1000mm
- Max door weight 90kg
- For glass thickness 8 – 12mm
- Additional door handles available (*see below*)

- Satin polish stainless steel Grade 304
- Overall rail length 2000mm
- Max door width 1000mm
- Max door weight 80kg
- Additional door handles available (*see below*)

SLIDING DOOR GEAR

SLIDING RAIL
Ø 25mm x 2m length



SLIDING DOOR ROLLER
2 per kit



SLIDING RAIL
Ø 25mm x 2m length



SLIDING DOOR ROLLER
2 per kit



WALL BRACKET
4 per kit



FLOOR GUIDE
1 per kit



WALL BRACKET
4 per kit



FLOOR GUIDE
1 per kit



DOOR STOP
2 per kit



END CAP
2 per kit



DOOR STOP
2 per kit



END CAP
2 per kit



Code
41001

Code
41002

STAINLESS STEEL DOOR HANDLES



Satin polish stainless steel Grade 304. Suitable for glass or wood door. Supplied in pairs.

Length mm	Code
400	4100H

Suitable for codes: 41001 & 41002.



INTERNAL SLIDING DOOR GEAR

MILD STEEL KIT FOR SOLID DOORS



- Mild steel black powder coated
- Overall rail length 2000mm
- Max door width 1000mm
- Max door weight 90kg
- Anti-jump block
- Floor guide suitable for 20 x 7mm groove

SLIDING RAIL
2m length



CLAMP FIXING FOR TRACK
5 per kit



DOOR STOP
2 per kit



SLIDING DOOR ROLLER
2 per kit



FLOOR GUIDE
1 PER KIT



ANTI-JUMP BLOCK
2 per kit



Code
41003

WITH PELMET FOR WOODEN DOORS



- Overall rail length 2000mm
- Max door width 1000mm
- Max door weight 60kg

ALUMINIUM TRACK
2m length



CONNECTOR
For pelmet to track. 5 per kit



NYLON DOOR STOP
2 per kit



PLYWOOD END CAP
2 per kit



SLIDING DOOR ROLLER
2 per kit



NYLON FLOOR GUIDE
1 per kit



PLYWOOD COVER
1 per kit



Code
41004

FULL TECHNICAL DETAILS CAN
BE FOUND ON OUR WEBSITE
www.fhbrundle.co.uk

